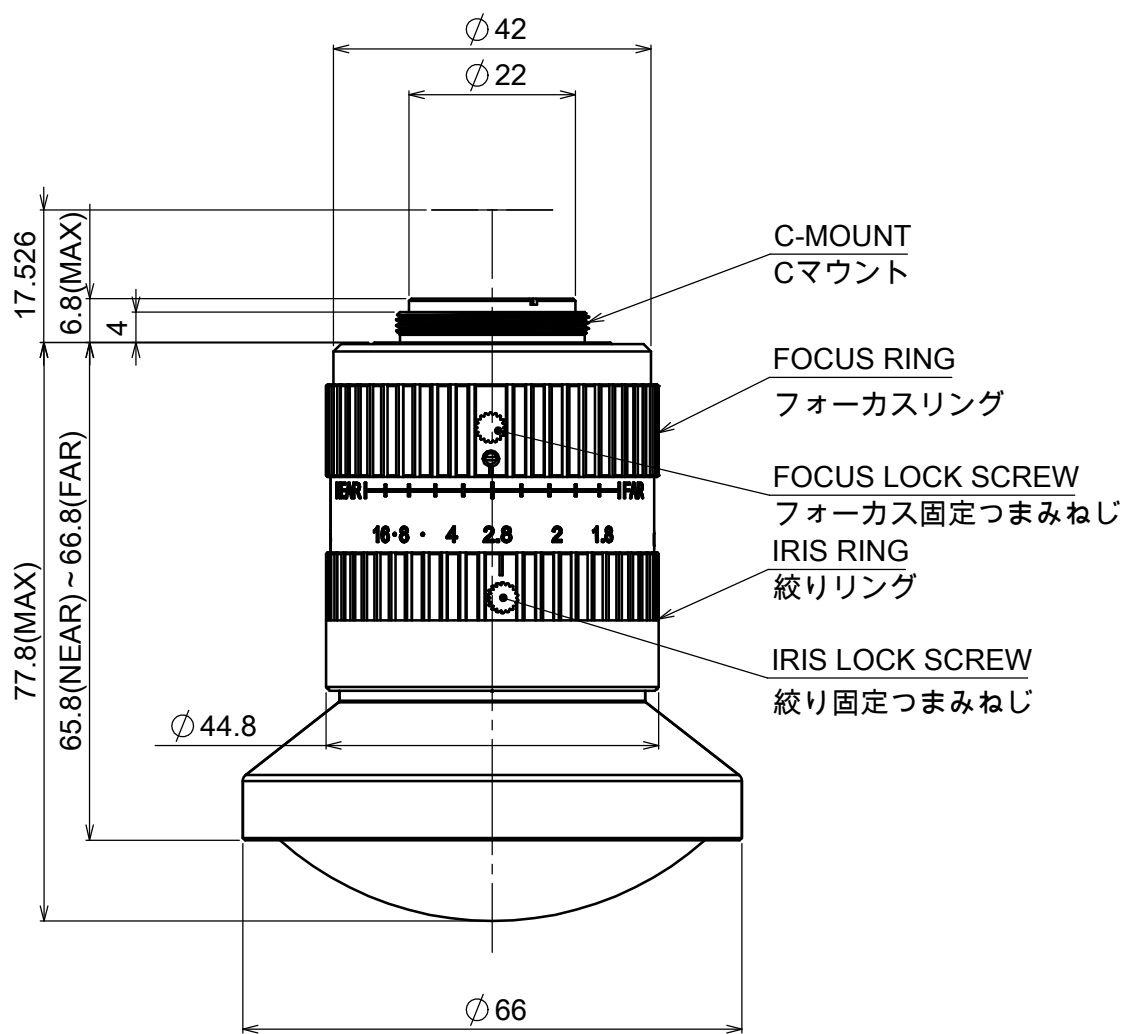


A	CLASS	NOMINAL LENGTH						PERPENDICULARITY TOLERANCE	CLASS	NOMINAL LENGTH ON SHORTER SIDE				A	
		L ≤ 10	10 < L ≤ 30	30 < L ≤ 100	100 < L ≤ 300	300 < L ≤ 1000	1000 < L ≤ 3000			L ≤ 100	100 < L ≤ 300	300 < L ≤ 1000	1000 < L ≤ 3000		A
B	ANGLE TOLERANCE	H	±0.02	±0.05	±0.1	±0.2	±0.3	±0.4	H	±0.2	±0.3	±0.4	±0.5	B	
		K	±0.05	±0.1	±0.2	±0.4	±0.6	±0.8	K	±0.4	±0.6	±0.8	±1.0		C
C	STANDARD DIMENSION RANGE	L < 0.2	0.2 ≤ L ≤ 0.5	0.5 < L ≤ 3	3 < L ≤ 6	6 < L	±0.1	±0.2	±0.5	±1.0	C				
		IN DRW.	±0.1	±0.2	±0.5	±1.0	D								
D	CHAMFER TOLERANCE	f	m	D											
		f	m		E										
E	STANDARD DIMENSION RANGE	L < 0.2	0.2 ≤ L ≤ 0.5	0.5 < L ≤ 3		3 < L ≤ 6	6 < L ≤ 30	30 < L ≤ 120	120 < L ≤ 400	400 < L	±0.1	±0.2	±0.3	±0.5	±0.8
		IN DRW.	±0.1	±0.2	±0.3	±0.5	±0.8	F							
F	LENGTH TOLERANCE	f	m	F											
		f	m		F										



FOCAL LENGTH / 焦点距離: 6 mm
 MAX. APERTURE RATIO / 最大口径比: 1:1.8

MARK	COM-REV	DATE(YMD)	CHANGE	SIGNATURE	FINISH	UNIT:mm	MORITEX Vision Creating Value
					BLACK ANODIZING		
DESIGNED	DRAWN	CHECKED	APPROVED	ALUMINUM ALLOY	SURFACE	MODEL NAME	
						ML-U0618SR-18C	
Kodaira					CHAMFER	PART NAME	
						OUTLINE DRAWING	
OLD DRAWING NO.					TOLERANCE CLASS	DRAWING NO.	SHEET
						200514A0100101A-001	
					SCALE		
					1:1		