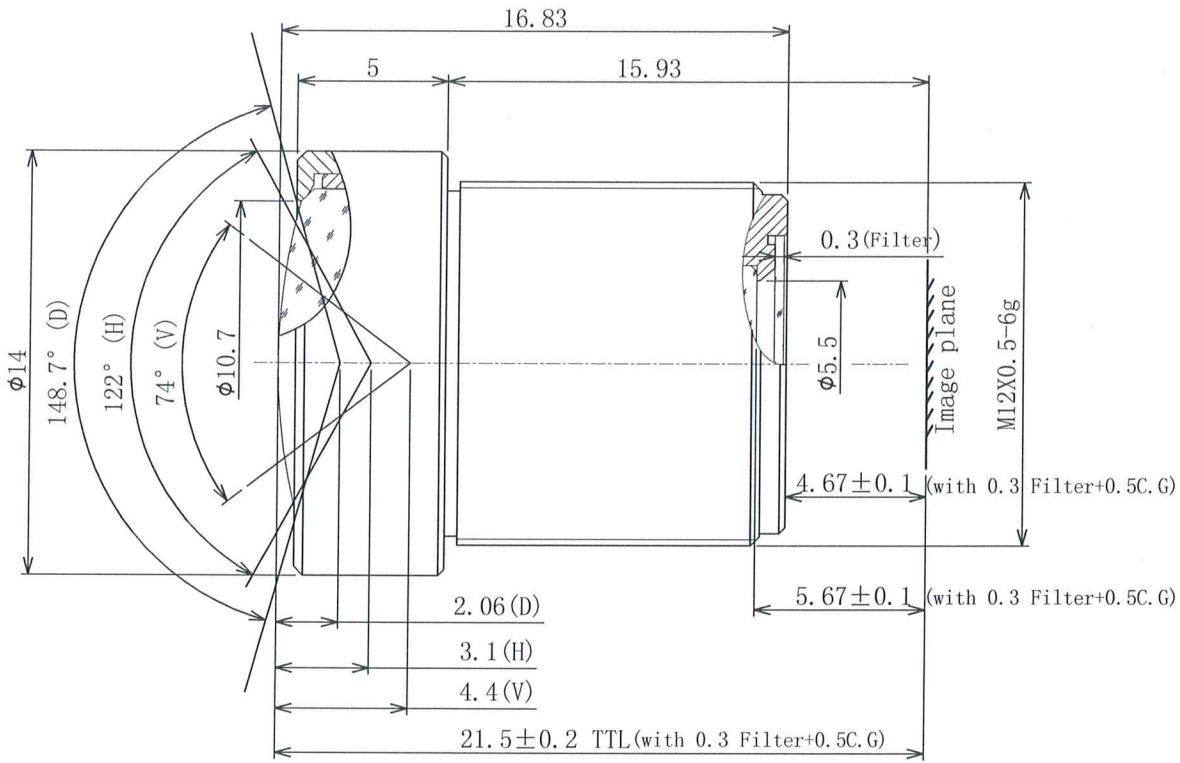


| | | | | | | | | | |
|-----------------|------------------|---|-----|---|---|---|---|---|---|
| 10 | 9 | 8 | 7 | 6 | 5 | 4 | 3 | 2 | 1 |
| Model No. 型号 | M128B02820WM12R1 | | REV | | | | | | |
| | | | 00 | | | | | | |

SPECIFICATION 规格书

| | | | |
|---|-------------|------------------------------------|----------|
| Sensor 传感器 | | AR0231 | CCD/CMOS |
| Image Fromat (HxV,D) 靶面尺寸 (水平x垂直,对角) | | 5.784x3.624,6.83 | |
| EFL 有效焦距 | | 2.8mm | |
| FNo. F值 | | 2.0 | |
| F.O.V. 视场角 | | AR0231 | |
| | D.对角 | 148.7° | |
| | H.水平 | 122° | |
| | V.垂直 | 74° | |
| Back Focal Length 后截距 | | 5.67mm (with 0.3 Filter+0.5C.G) | |
| Lens Effective Diameter 通光口径 | Front 前面 | Ø10.7mm | |
| | Back 后面 | Ø5.5mm | |
| Lens construction 镜头组成 | | 6-5+1Filter | |
| OP Distortion 光学畸变 | | <-66.5% | |
| Resolution 分辨率 | | Mega Pixel | |
| Relative Illumination 相对照度 | | >30% | |
| Iris 光圈 | | Fixed | |
| Max Chief Ray Angle 最大主光线入射角 | | 13° | |
| M.O.D 最近物距 | | 0.3m | |
| Mount 接口 | | M12x0.5 | |
| TTL 光学总长 | | 21.5mm (with 0.3 Filter+0.5C.G) | |
| Dimension (ØxL) 外形尺寸 | | Ø14x16.83mm | |
| Weight 重量 | | _____ g | |



| | | | | | | | |
|------|------------|-------------|---------|-------|---------|--------|-----------|
| 3 | | | | | | NAME | DATE |
| 2 | | | | | DRAWN | Konc | 2018-7-21 |
| 1 | | | | | CHECKED | Richie | 2018-7-21 |
| 0 | 2018.07.21 | 新规作成 | CHZ | SGQH | AUDI. | Dem | 18.7.21 |
| REV. | DATE | DESCRIPTION | REVISED | APPR. | APPR. | Jace | 2018.7.21 |

EVETAR®
 厦门力鼎光电技术有限公司
 Xiamen Leading Optics Co., Ltd.

UNLESS TOLERANCE

Single Part Size:±0.1 Portfolio Size:±0.3

3RD Angle Projection