

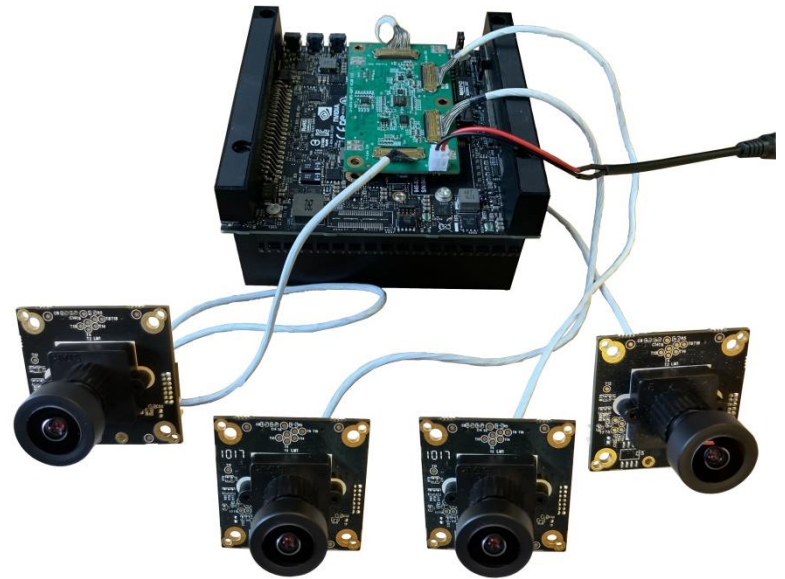


LEOPARD IMAGING INC

LI-XAVIER-KIT-IMX264M12-X Data Sheet

Key Features

- Compatible with Nvidia® Jetson AGX Xavier™ Developer Kit
- MIPI CSI-2 interface
- Supports up to six cameras
- Two adapter board options
 - LI-JXAV-MIPI-ADPT-4CAM
 - LI-JXAV-MIPI-ADPT-6CAM-FP
- Sony Diagonal 11.1 mm (Type 2/3) 5MP CMOS Image Sensor IMX264
- Global shutter
- Camera synchronization supported (6CAM version only)
- Length of the I-PEX cable: 300 mm
- Supports multiple length cables
- Allows customization
- Part#:
 - (1 cam) [LI-XAVIER-KIT-IMX264M12](#)
 - (2 cam) [LI-XAVIER-KIT-IMX264M12-D](#)
 - (3 cam) [LI-XAVIER-KIT-IMX264M12-T](#)
 - (4 cam) [LI-XAVIER-KIT-IMX264M12-Q](#)
 - (6 cam) [LI-XAVIER-KIT-IMX264M12-H](#)



Lens Spec

- Model: FIFO-F1225FM
- Focal Length: 12 mm
- Aperture, F/#: 2.5
- Built in 650 nm IR cut filter
- FOV (H): 37°
- TV Distortion: < -1.2 %
- M12 x P0.5

Applications

- Industrial Applications
- Intelligent Transportation System (ITS) Cameras

BOM

Nvidia AGX Xavier Developer Kit not included

#	Items	QTY
1	LI-JXAV-MIPI-ADPT-4CAM or LI-JXAV-MIPI-ADPT-6CAM-FP	1
2	LI-IMX264-MIPI-M12	1, 2, 3, 4 or 6
3	FAW-1233-03 cable	1, 2, 3, 4 or 6



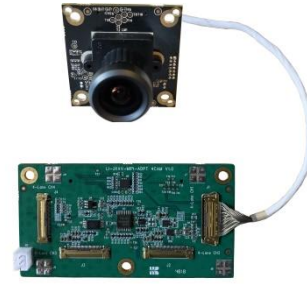
Leopard Imaging Inc.

48820 Kato Rd, Suite 100B, Fremont, CA 94538, USA
 Phone: +1-408-263-0988
 Fax: +1-408-217-1960
 Email: sales@leopardimaging.com
 Website: www.leopardimaging.com

LI-XAVIER-KIT-IMX264M12

BOM

#	Items	QTY
1	LI-JXAV-MIPI-ADPT-4CAM	1
2	LI-IMX264-MIPI-M12	1
3	FAW-1233-03 cable	1



LI-XAVIER-KIT-IMX264M12-D

BOM

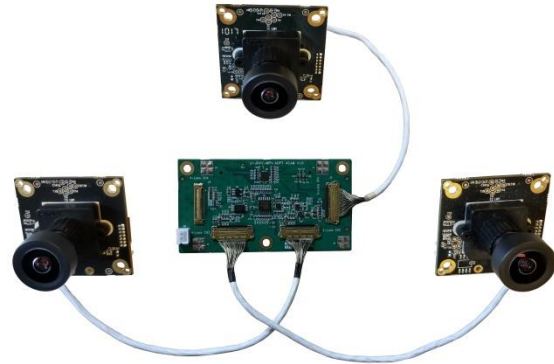
#	Items	QTY
1	LI-JXAV-MIPI-ADPT-4CAM	1
2	LI-IMX264-MIPI-M12	2
3	FAW-1233-03 cable	2



LI-XAVIER-KIT-IMX264M12-T

BOM

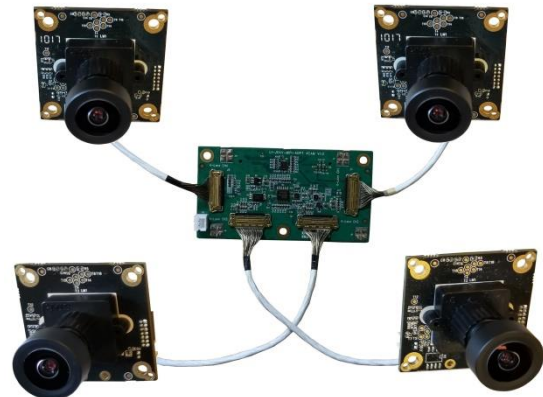
#	Items	QTY
1	LI-JXAV-MIPI-ADPT-4CAM	1
2	LI-IMX264-MIPI-M12	3
3	FAW-1233-03 cable	3



LI-XAVIER-KIT-IMX264M12-Q

BOM

#	Items	QTY
1	LI-JXAV-MIPI-ADPT-4CAM	1
2	LI-IMX264-MIPI-M12	4
3	FAW-1233-03 cable	4



Leopard Imaging Inc.

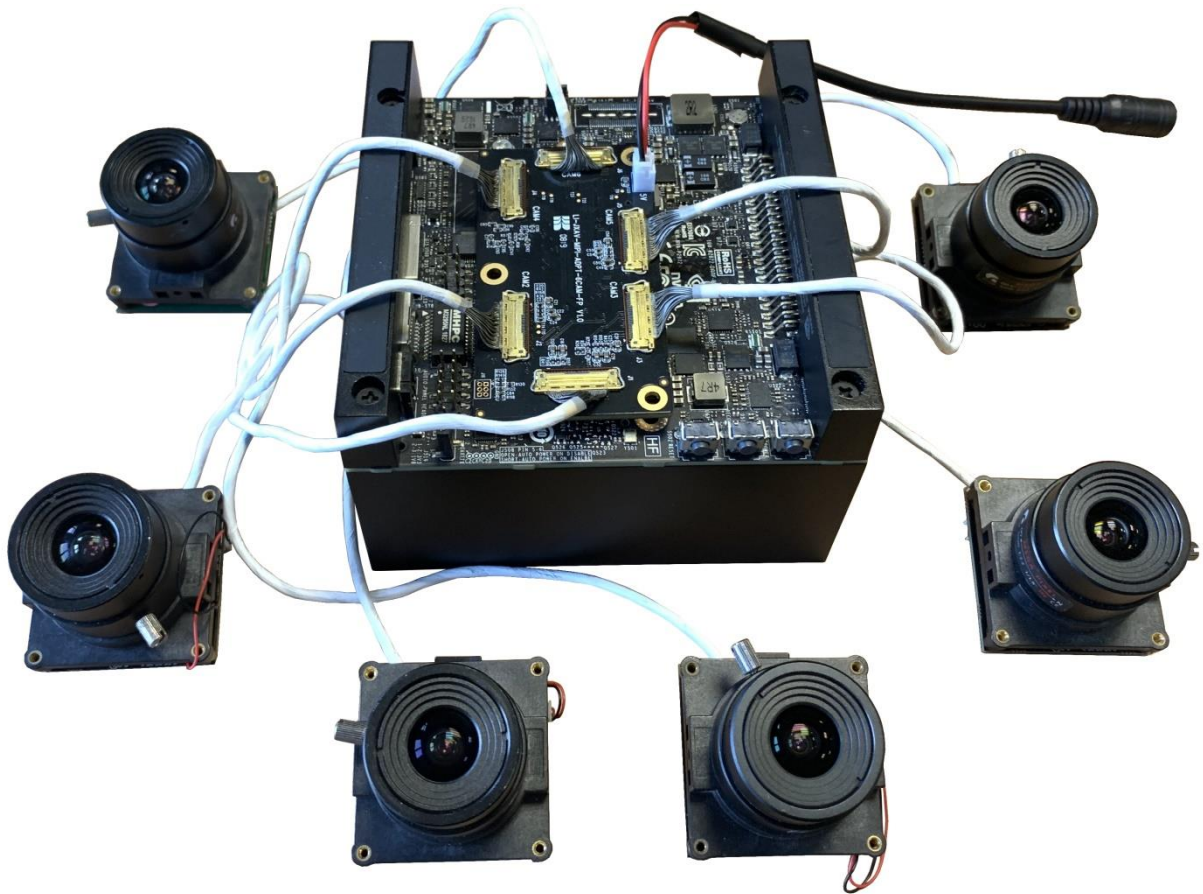
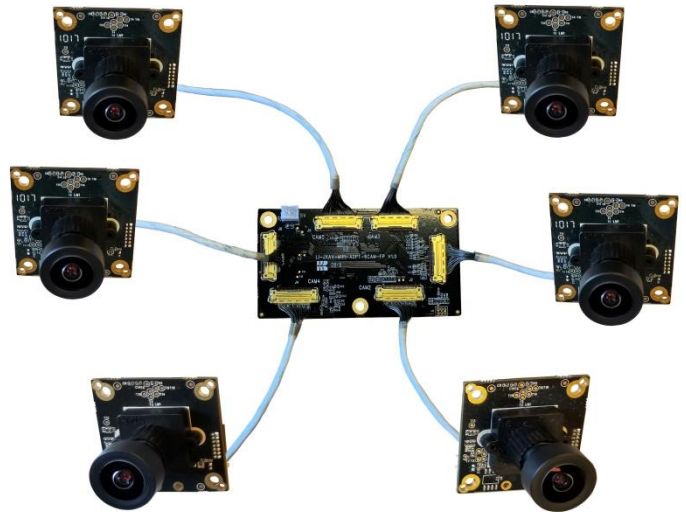
48820 Kato Rd, Suite 100B, Fremont, CA 94538, USA
Phone: +1-408-263-0988
Fax: +1-408-217-1960
Email: sales@leopardimaging.com
Website: www.leopardimaging.com

LI-XAVIER-KIT-IMX264M12-H

BOM

#	Items	QTY
1	LI-JXAV-MIPI-ADPT-6CAM-FP	1
2	LI-IMX264-MIPI-M12	6
3	FAW-1233-03 cable	6

Note: This camera kit supports camera synchronization.

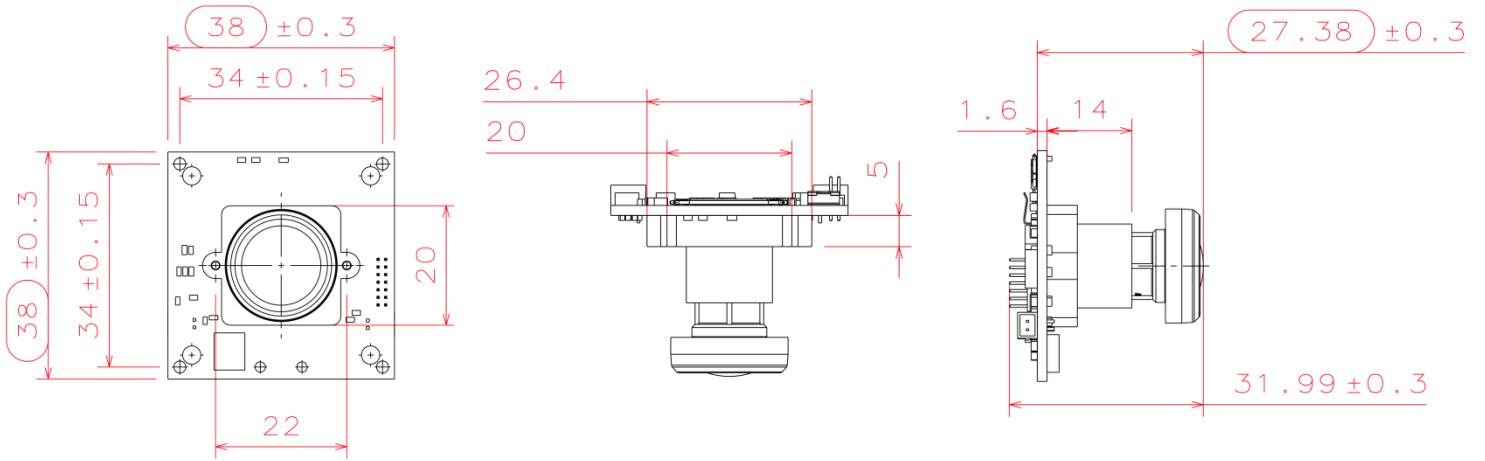


Leopard Imaging Inc.

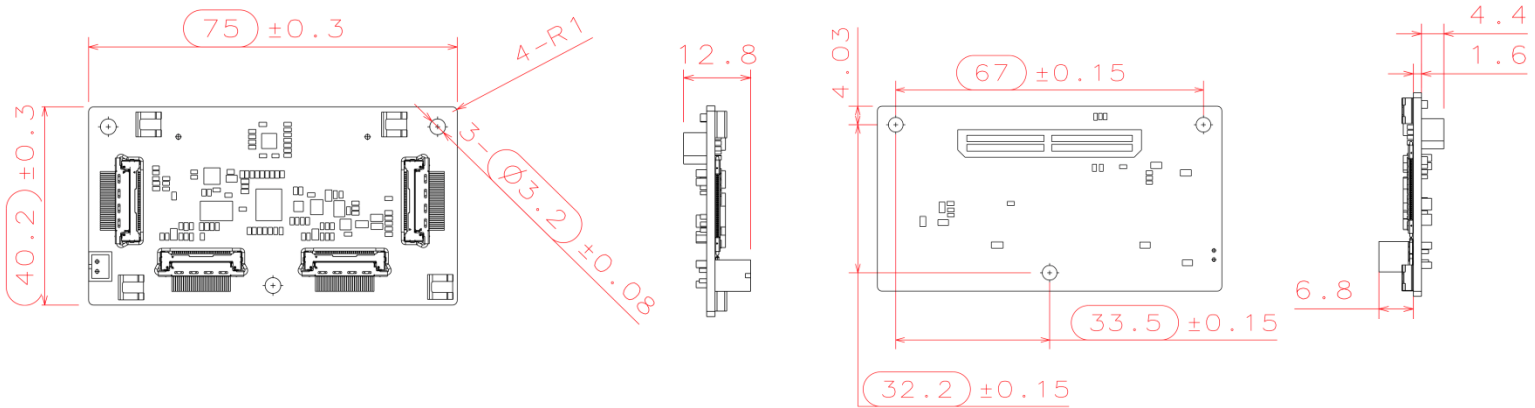
48820 Kato Rd, Suite 100B, Fremont, CA 94538, USA
Phone: +1-408-263-0988
Fax: +1-408-217-1960
Email: sales@leopardimaging.com
Website: www.leopardimaging.com

Dimensions

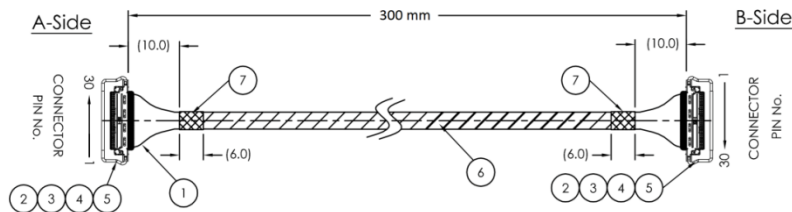
LI-IMX264-MIPI-M12



LI-JXAV-MIPI-ADPT-4CAM



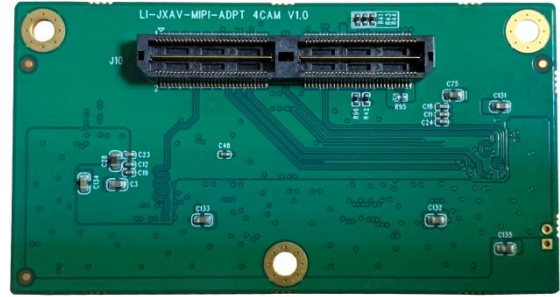
FAW-1233-03



Leopard Imaging Inc.

48820 Kato Rd, Suite 100B, Fremont, CA 94538, USA
 Phone: +1-408-263-0988
 Fax: +1-408-217-1960
 Email: sales@leopardimaging.com
 Website: www.leopardimaging.com

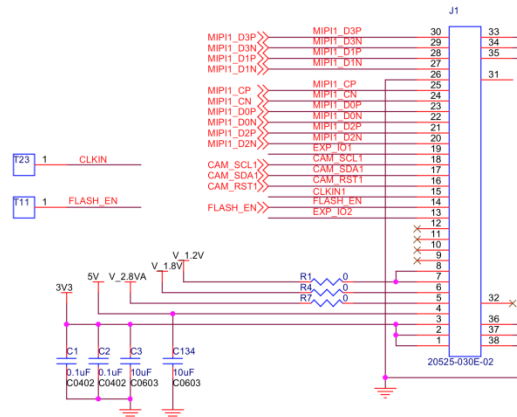
LI-JXAV-MIPI-ADPT-4CAM



Interfaces

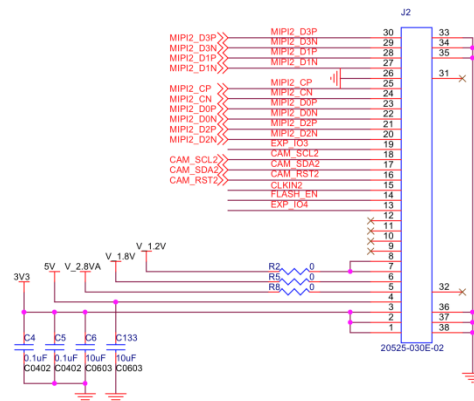
Interface J1

- Part#: 20525-030E-02C
- Number of Positions: 30
- Pitch: 0.4 mm
- Mating I-PEX cable: FAW-1233-03 (300 mm)



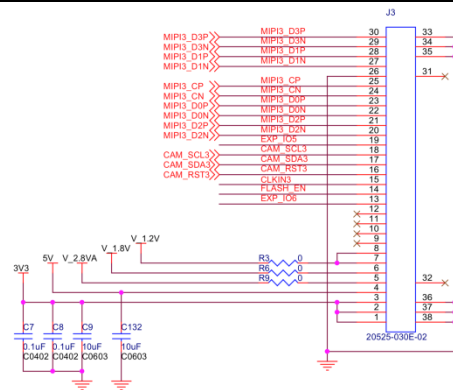
Interface J2

- Part#: 20525-030E-02C
- Number of Positions: 30
- Pitch: 0.4 mm
- Mating I-PEX cable: FAW-1233-03 (300 mm)



Interface J3

- Part#: 20525-030E-02C
- Number of Positions: 30
- Pitch: 0.4 mm
- Mating I-PEX cable: FAW-1233-03 (300 mm)

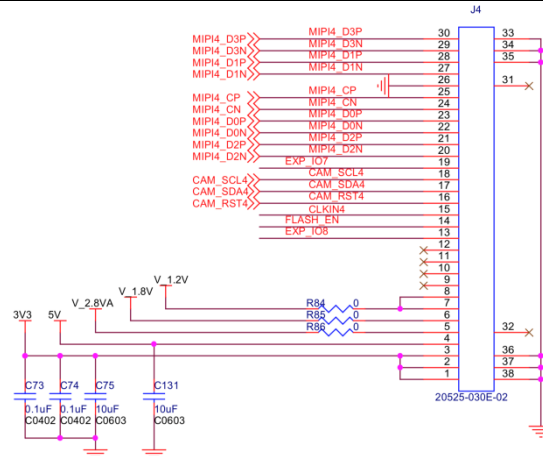


Leopard Imaging Inc.

48820 Kato Rd, Suite 100B, Fremont, CA 94538, USA
 Phone: +1-408-263-0988
 Fax: +1-408-217-1960
 Email: sales@leopardimaging.com
 Website: www.leopardimaging.com

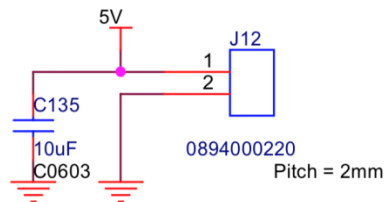
Interface J4

- Part#: 20525-030E-02C
- Number of Positions: 30
- Pitch: 0.4 mm
- Mating I-PEX cable: FAW-1233-03 (300 mm)



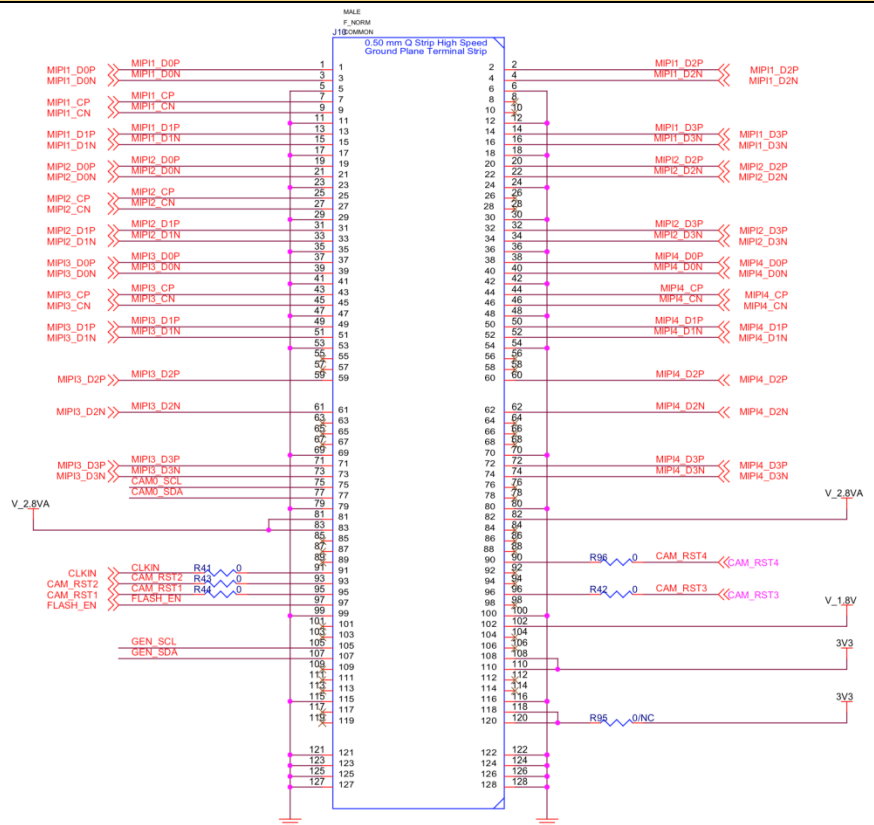
Interface J5

- Part#: 0894000220
- Number of Positions: 2
- Pitch: 2 mm



Interface J10

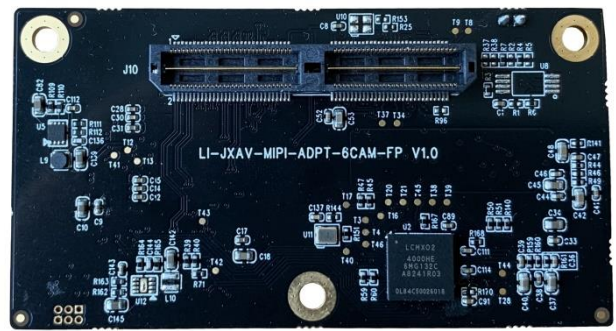
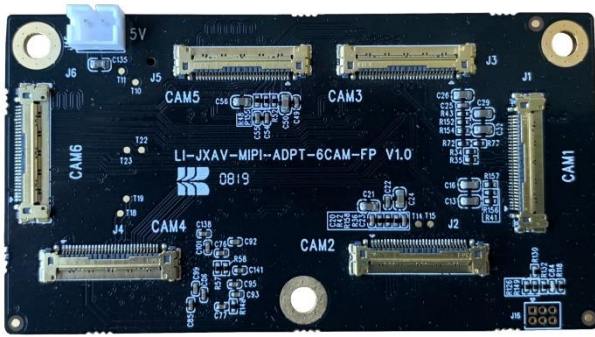
- Part#: QTH-060-01-L-D-A
- Number of Positions: 120
- Number of Rows: 2
- Pitch: 0.5 mm



Leopard Imaging Inc.

48820 Kato Rd, Suite 100B, Fremont, CA 94538, USA
 Phone: +1-408-263-0988
 Fax: +1-408-217-1960
 Email: sales@leopardimaging.com
 Website: www.leopardimaging.com

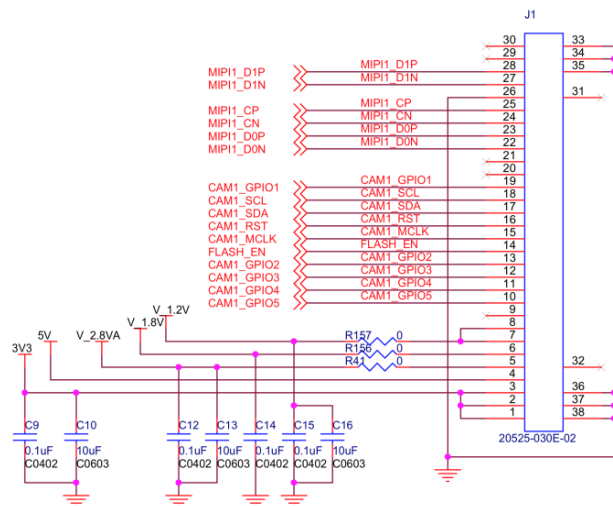
LI-JXAV-MIPI-ADPT-6CAM-FP



Interfaces

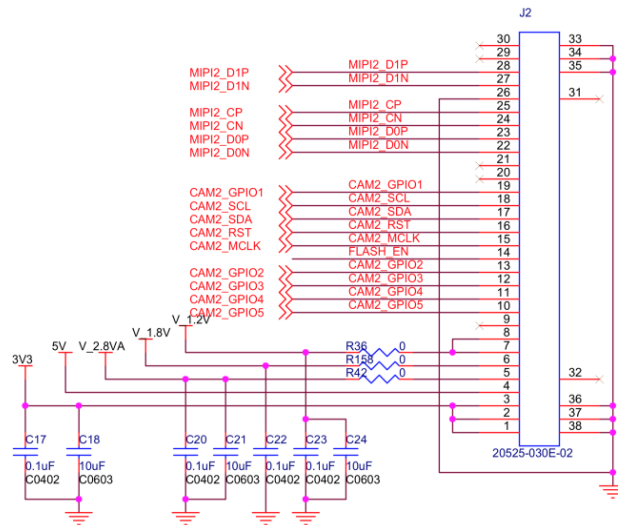
Interface J1 (Camera Channel 1)

- Part#: 20525-030E-02C
- Number of Positions: 30
- Pitch: 0.4 mm
- Mating I-PEX cable: FAW-1233-xx



Interface J2 (Camera Channel 2)

- Part#: 20525-030E-02C
- Number of Positions: 30
- Pitch: 0.4 mm
- Mating I-PEX cable: FAW-1233-xx

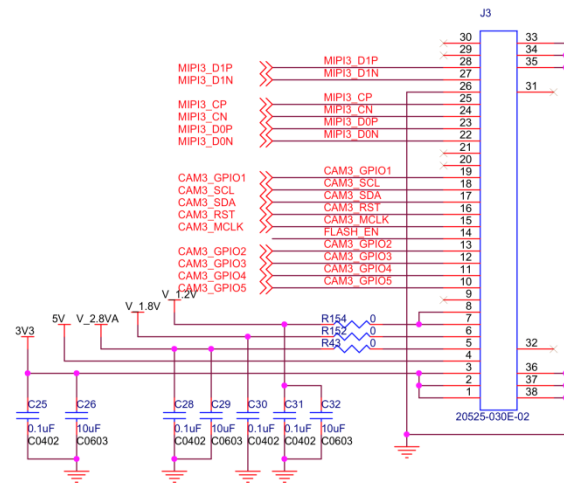


Leopard Imaging Inc.

48820 Kato Rd, Suite 100B, Fremont, CA 94538, USA
 Phone: +1-408-263-0988
 Fax: +1-408-217-1960
 Email: sales@leopardimaging.com
 Website: www.leopardimaging.com

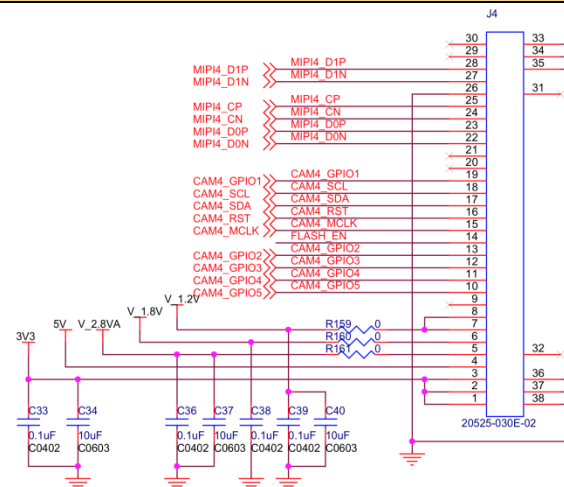
Interface J3 (Camera Channel 3)

- Part#: 20525-030E-02C
- Number of Positions: 30
- Pitch: 0.4 mm
- Mating I-PEX cable: FAW-1233-xx



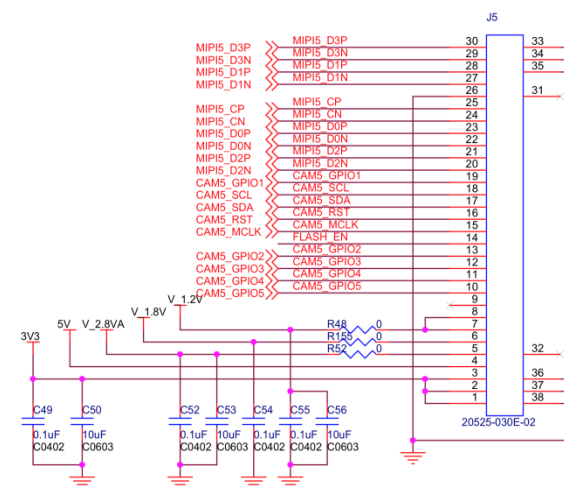
Interface J4 (Camera Channel 4)

- Part#: 20525-030E-02C
- Number of Positions: 30
- Pitch: 0.4 mm
- Mating I-PEX cable: FAW-1233-xx



Interface J5 (Camera Channel 5)

- Part#: 20525-030E-02C
- Number of Positions: 30
- Pitch: 0.4 mm
- Mating I-PEX cable: FAW-1233-xx

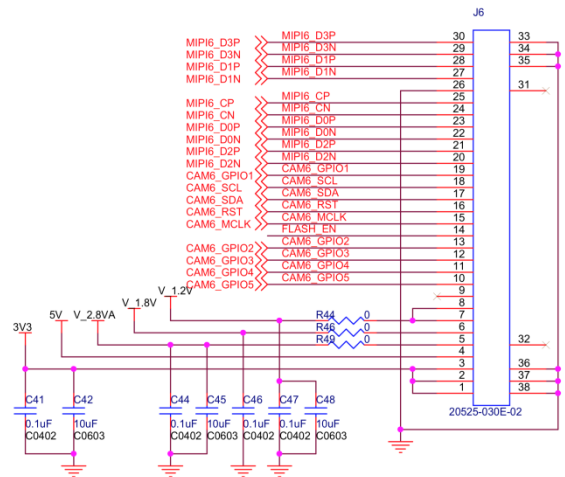


Leopard Imaging Inc.

48820 Kato Rd, Suite 100B, Fremont, CA 94538, USA
 Phone: +1-408-263-0988
 Fax: +1-408-217-1960
 Email: sales@leopardimaging.com
 Website: www.leopardimaging.com

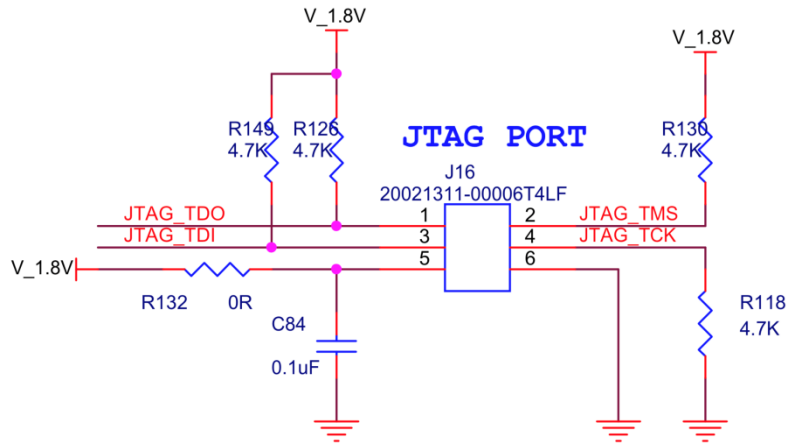
Interface J6 (Camera Channel 6)

- Part#: 20525-030E-02C
- Number of Positions: 30
- Pitch: 0.4 mm
- Mating I-PEX cable: FAW-1233-xx



Interface J16 (FPGA Programming Interface)

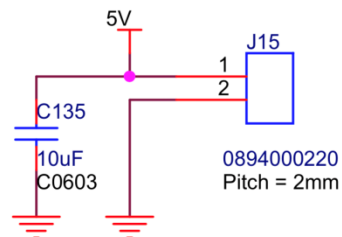
- Part#: 20021311-00006T4LF
- Number of Positions: 6
- Pitch: 0.050" (1.27 mm)
- Number of Rows: 2



Interface J15 (External Power Input Interface)

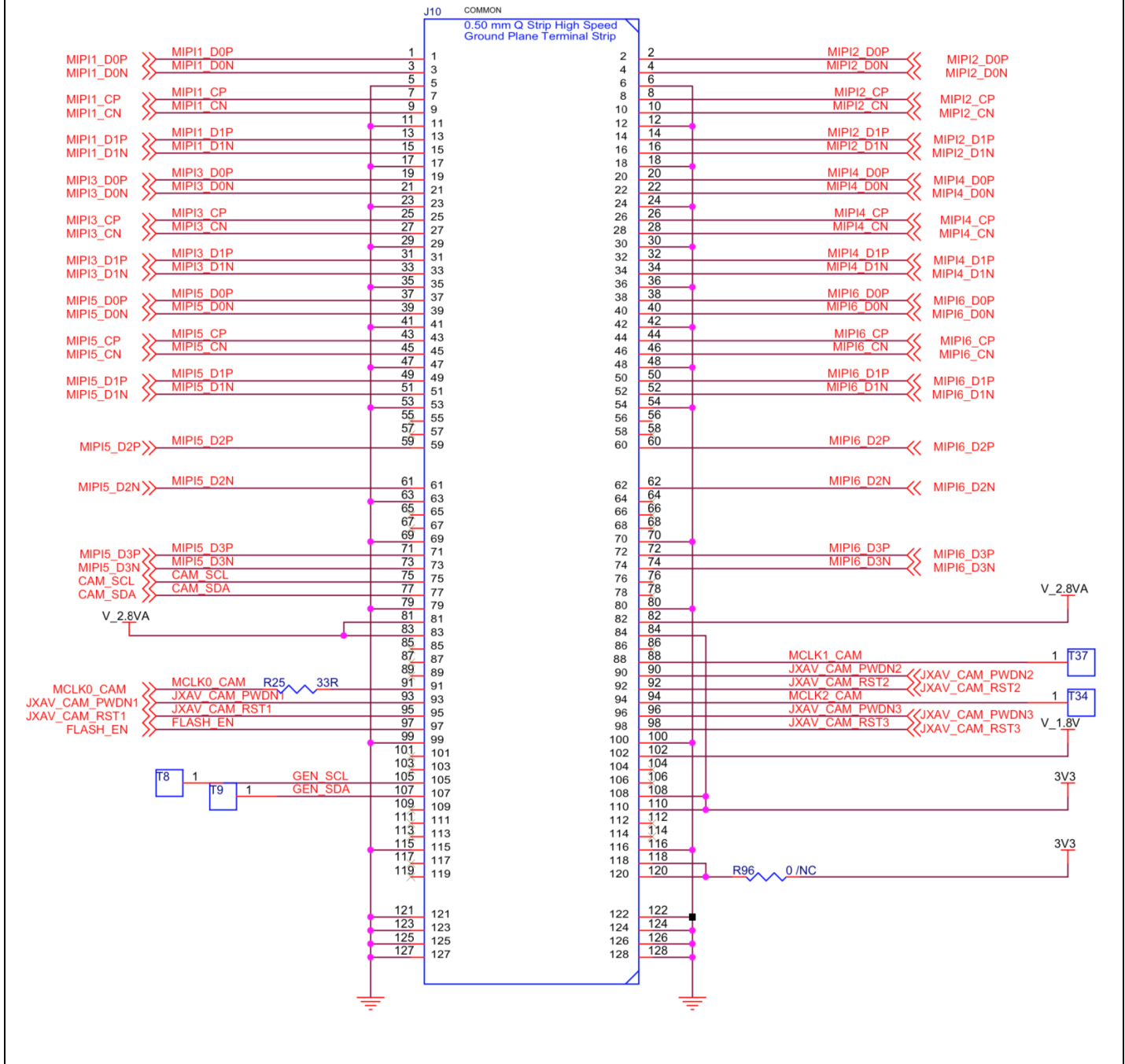
- Part#: 0894000220
- Number of Positions: 2
- Pitch: 2 mm

External Input Power



Interface J10 (To Xavier)

- Part#: QTH-060-01-L-D-A
- Number of Positions: 120
- Number of Rows: 2
- Pitch: 0.5 mm



Leopard Imaging Inc.

48820 Kato Rd, Suite 100B, Fremont, CA 94538, USA
 Phone: +1-408-263-0988
 Fax: +1-408-217-1960
 Email: sales@leopardimaging.com
 Website: www.leopardimaging.com

LI-IMX264-MIPI-M12



Camera Spec	
Image sensor	Sony Diagonal 11.1 mm CMOS Image Sensor IMX264
Optical format	2/3"
Number of active pixels	2464 (H) x 2056 (V)
Pixel size	3.45 x 3.45 μm
Color or Mono	Color
Interface	MIPI
Shutter	Global shutter
Lens mount	M12
Weight	~ 14 g
Interfaces	
Interface J4: <ul style="list-style-type: none"> Part#: 20525-030E-02C Number of Positions: 30 Pitch: 0.4 mm Mating I-PEX cable: FAW-1233-03 (300 mm) 	
Interface J8: <ul style="list-style-type: none"> Part#: 1734829-2 Number of Positions: 2 Pitch: 1.25 mm 	
Interface J2: <ul style="list-style-type: none"> Part#: 20021321-00010C4LF Number of Positions: 10 Pitch: 1.27 mm 	
Interface J3: <ul style="list-style-type: none"> Part#: 20021321-00006C4LF Number of Positions: 6 Pitch: 1.27 mm 	



Leopard Imaging Inc.

48820 Kato Rd, Suite 100B, Fremont, CA 94538, USA
 Phone: +1-408-263-0988
 Fax: +1-408-217-1960
 Email: sales@leopardimaging.com
 Website: www.leopardimaging.com

Revision History

Revision	Description	Release Date
1.0	First release.	28. Mar. 2019
1.1	Added LI-JXAV-MIPI-ADPT-6CAM-FP board.	23. Jun. 2019
1.2	Deleted info quoted from sensor spec.	25. May. 2022



Leopard Imaging Inc.

48820 Kato Rd, Suite 100B, Fremont, CA 94538, USA
Phone: +1-408-263-0988
Fax: +1-408-217-1960
Email: sales@leopardimaging.com
Website: www.leopardimaging.com