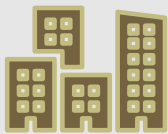




# LI-X3A-495-GMSL2



**Address:**

48820 Kato Road  
Suite 100B  
Fremont, CA 94538  
USA



**Phone:**

+1 (408)263-0988

**Fax:**

+1 (408)217-1960



**Sales:**

[sales@leopardimaging.com](mailto:sales@leopardimaging.com)

**Support:**

[support@leopardimaging.com](mailto:support@leopardimaging.com)

## INTRODUCTION

The LI-X3A-495-GMSL2 is equipped with OmniVision 1/2.44" color CMOS high dynamic range (HDR) high definition image sensor OX03A10 and OV495 ISP. This camera outputs YUV data.

## SPECIFICATIONS

Sensor	OmniVision CMOS Image Sensor OX03A10
Optical Format	1/2.44"
Resolution	1920 (H) x 1280 (V)
Pixel Size	3.2 x 3.2 $\mu\text{m}$
Output Format	YUV422 8-bit
Frame Rate	30 fps @ 1920 x 1280
Serializer	Maxim MAX9295A/B
Power Supply Range	9 ~ 19 VDC
ISP	OmniVision OV495
HDR (High Dynamic Range)	Supported
Connector	FAKRA Z TYPE
Power Consumption	117 mA @ 12 VDC
Operating Temp	-20°C ~ +60°C
Storage Temp	-30°C ~ +70°C
Weight	~ 46 g
Size	50.72 (L) x 30.0 (W) x 30.0 (D) mm
Part#	LI-X3A-495-GMSL2

## APPLICATIONS

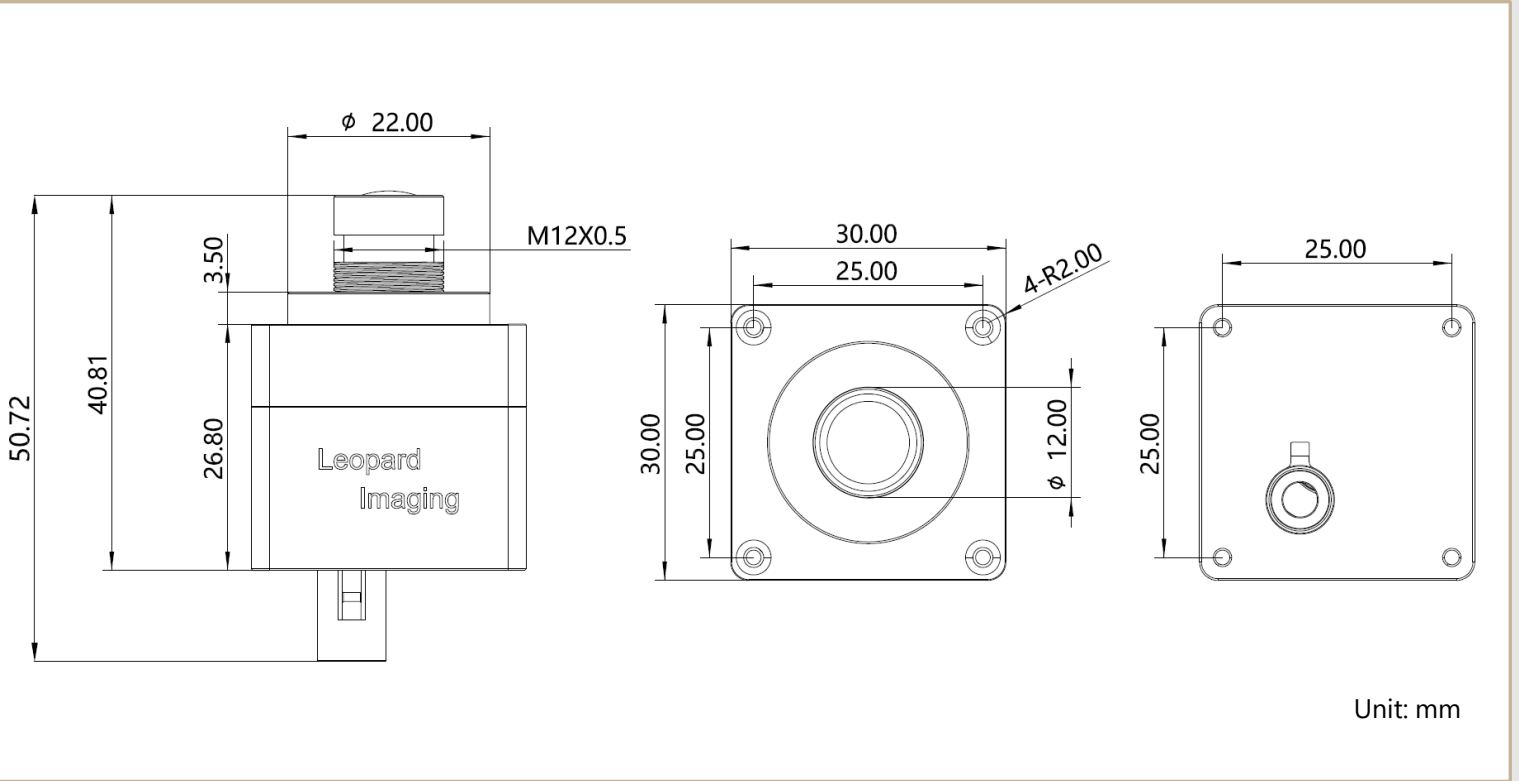
- High Performance ADAS
- Autonomous Driving
- High Dynamic Range Imaging
- Robots

## LENS SPECIFICATIONS

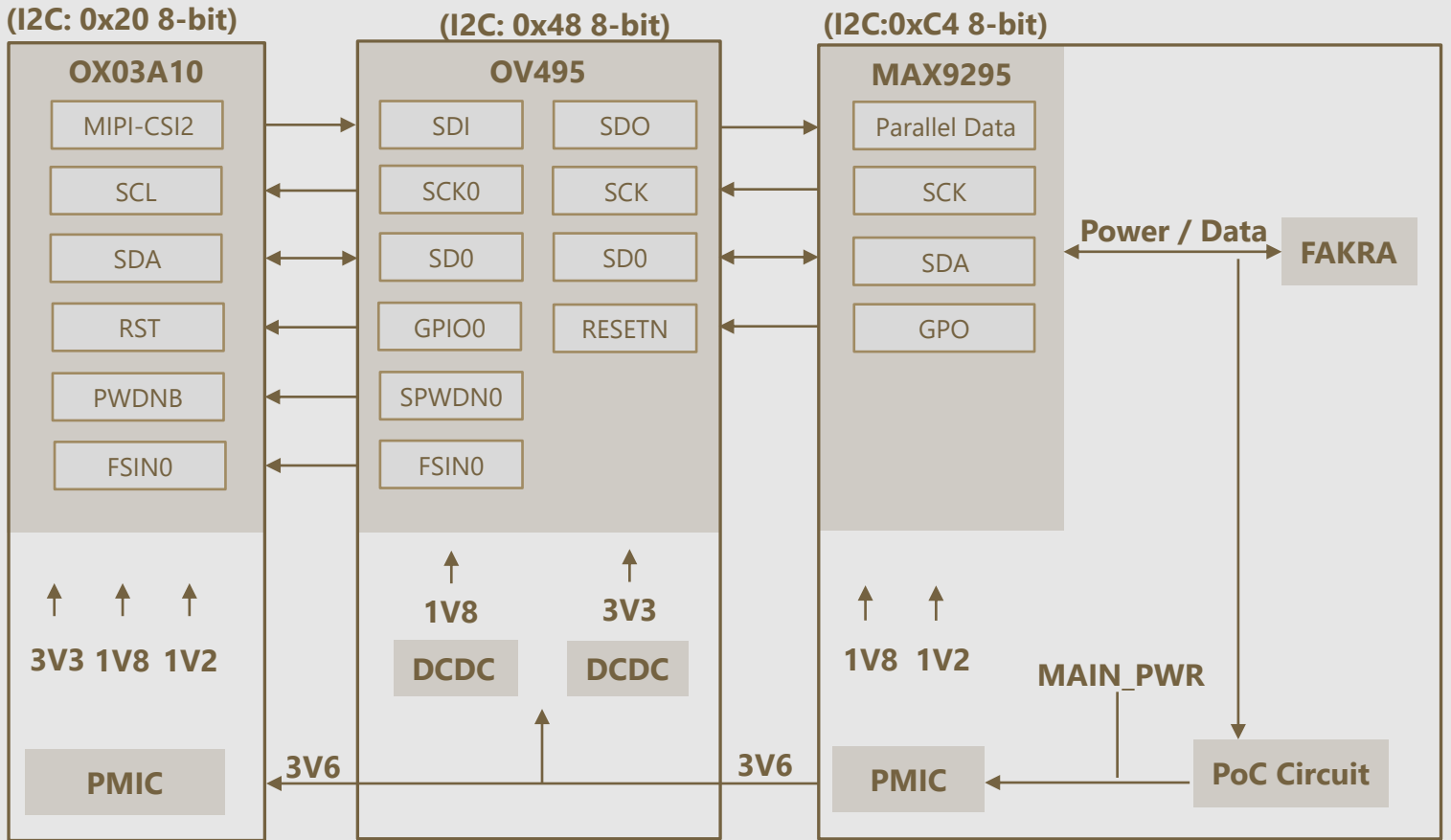
Focal Length	4.487 mm
Aperture, F/#	1.7
Field of View (FOV)	77.40° horizontal
Optical Distortion	-20.05% (f-tan $\theta$ )
Relative Illumination	46.53%
IR Filter	648 nm IR cut filter
Lens Mount	M12 x P0.5



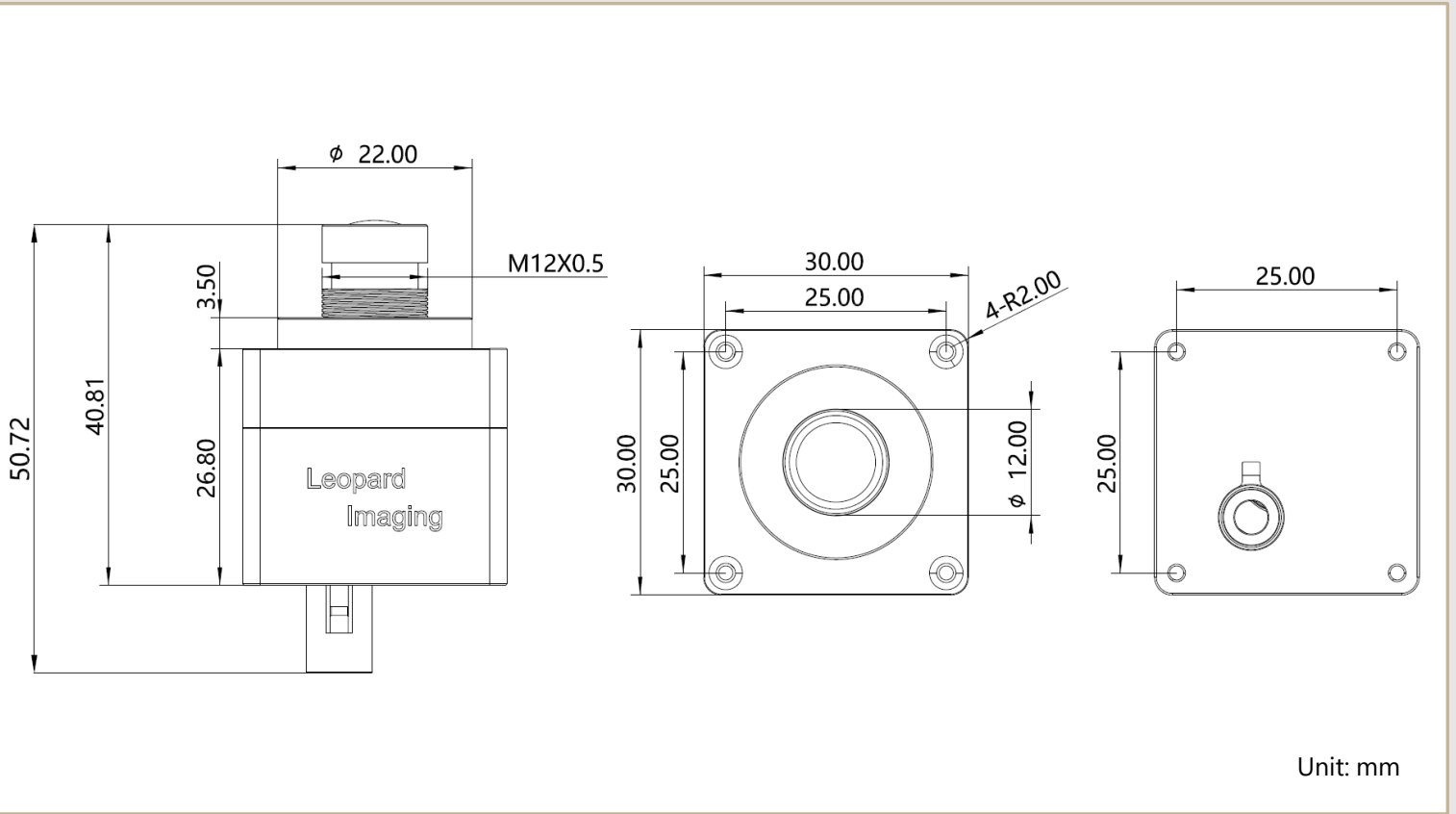
# DIMENSIONS



# BLOCK DIAGRAM



# DIMENSIONS



# USB3.0 CAMERA KIT

LI-GMSL2-USB-BOX



Front View



Side View

LI-X3A-495-GMSL2 can connect to LI-GMSL2-USB-BOX as a USB 3.0 camera.

Part#: **LI-USB30-X3A-495-GMSL2**

## SPECIFICATIONS

- USB 3.0 Super Speed support
- UVC compliant
- Allows customization
- 12 VDC Power Supply for camera
- Weight: ~ 123 g
- Single Coax Cable transmits up to 12 meters PoC (Power over Cable)
- Resolution: 1920 x 1280 @ 30 fps
- Power consumption: 117 mA @ 12 VDC
- Compatible with Windows, Linux OS and other OS which have UVC drivers

## BOM

#	Items	QTY
1	LI-X3A-495-GMSL2	1
2	LI-GMSL2-USB-BOX	1
3	3-Meter Fakra Cable	1
4	12 VDC Power Supply	1
5	USB3.0 Cable	1



## SDK SUPPORTED

- Camera Tool Source Code in C#
- Capture & Display

## ● REVISION HISTORY

Revision	Description	Release Date
1.0	First release.	29 June 2021
1.1	<ol style="list-style-type: none"><li>1. Replaced 3D images with actual product images.</li><li>2. Updated weight info and temp info.</li><li>3. Added "Pinout Connection" diagram and deleted original system and power block diagram.</li></ol>	15 Apr 2022

48820 Kato Rd, Suite 100B, Fremont, CA 94538, USA

Phone: +1 (408)263-0988

Fax: +1 (408)217-1960

Email: [sales@leopardimaging.com](mailto:sales@leopardimaging.com)

Website: [www.leopardimaging.com](http://www.leopardimaging.com)

