



LI-VENUS-SC120AT-GMSL2-xxxH



Address:

48820 Kato Road
Suite 100B
Fremont, CA 94538
USA



Phone:

+1 (408)263-0988

Fax:

+1 (408)217-1960



Sales:

sales@leopardimaging.com

Support:

support@leopardimaging.com

INTRODUCTION

The LI-VENUS-SC120AT-GMSL2-xxxH is equipped with SmartSens™ 1/3.7" CMOS automotive image sensor SC120AT and Maxim GMSL2 serializer MAX9295A/B. This camera outputs YUV 422 image data.

SPECIFICATIONS

Sensor	SmartSens™ CMOS Image Sensor SC120AT
Optical Format	1/3.7"
Resolution	1288 (H) x 968 (V)
Pixel Size	3.0 x 3.0 μm
Output Format	YUV 422 8-bit
Color / Mono	Color sensor
Maximum Frame Rate	30 fps @ HDR @ 1288 x 968
HDR (High Dynamic Range)	Supported
Serializer	Maxim MAX9295A/B
Lens	FOV H 115° / 196°
Power Supply Range	8 ~ 17 VDC
Connector	FAKRA Z TYPE
IP Rating	TBD
Power Consumption	65 mA @ 12 VDC (1280 x 960 @ 30 fps)
Operating Temp	TBD
Storage Temp	TBD
Weight	~ 33 g
Part#	LI-VENUS-SC120AT-GMSL2-xxxH

APPLICATIONS

- Automotive
 - ◆ Rear View
 - ◆ Blind Spot Detection
 - ◆ 360° Surround View

DEFAULT IMAGING DIRECTION

- The logo "Leopard Imaging" is on the TOP.

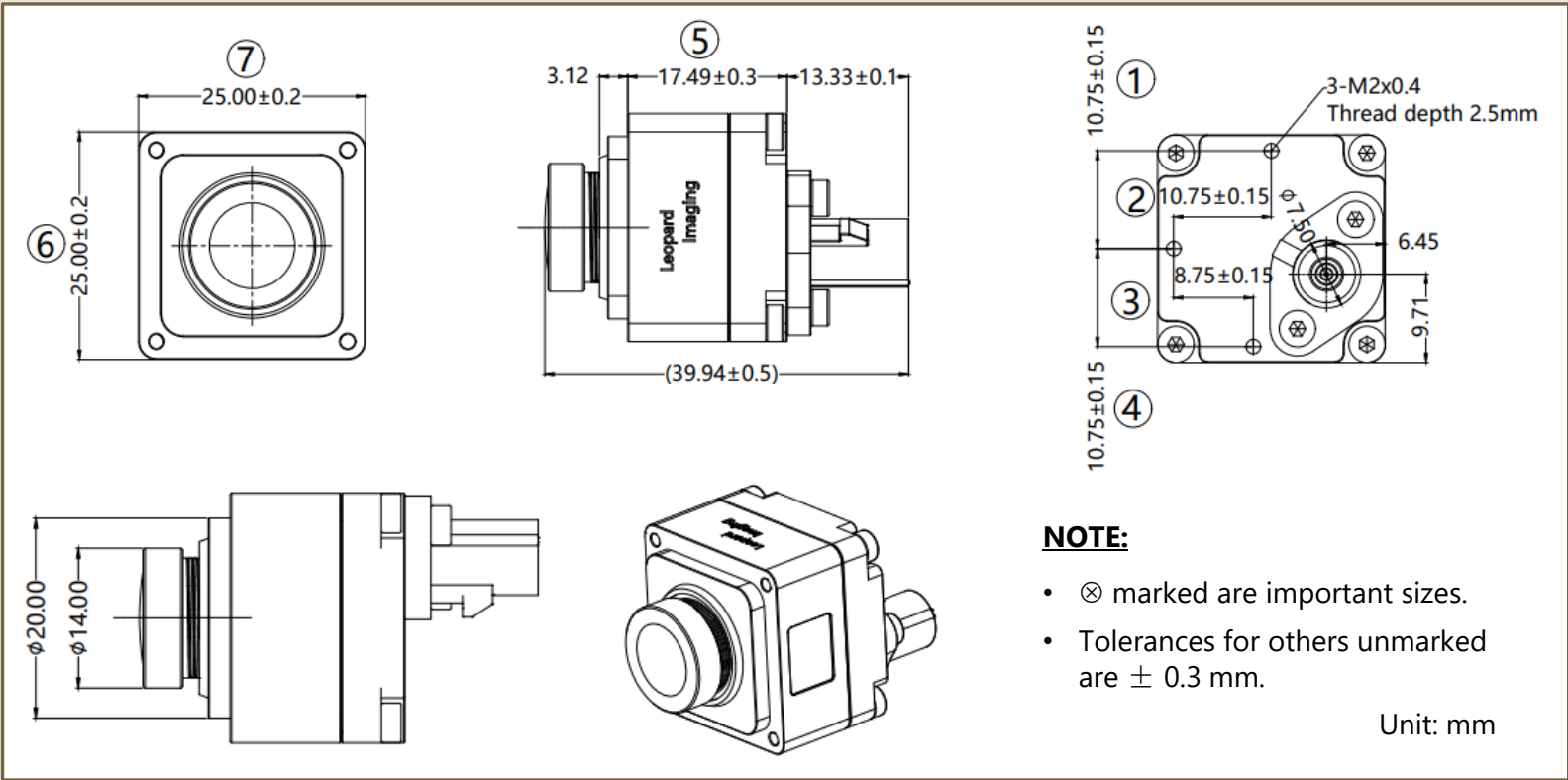
TOP (Default Imaging Direction)

CABLE CONNECTOR

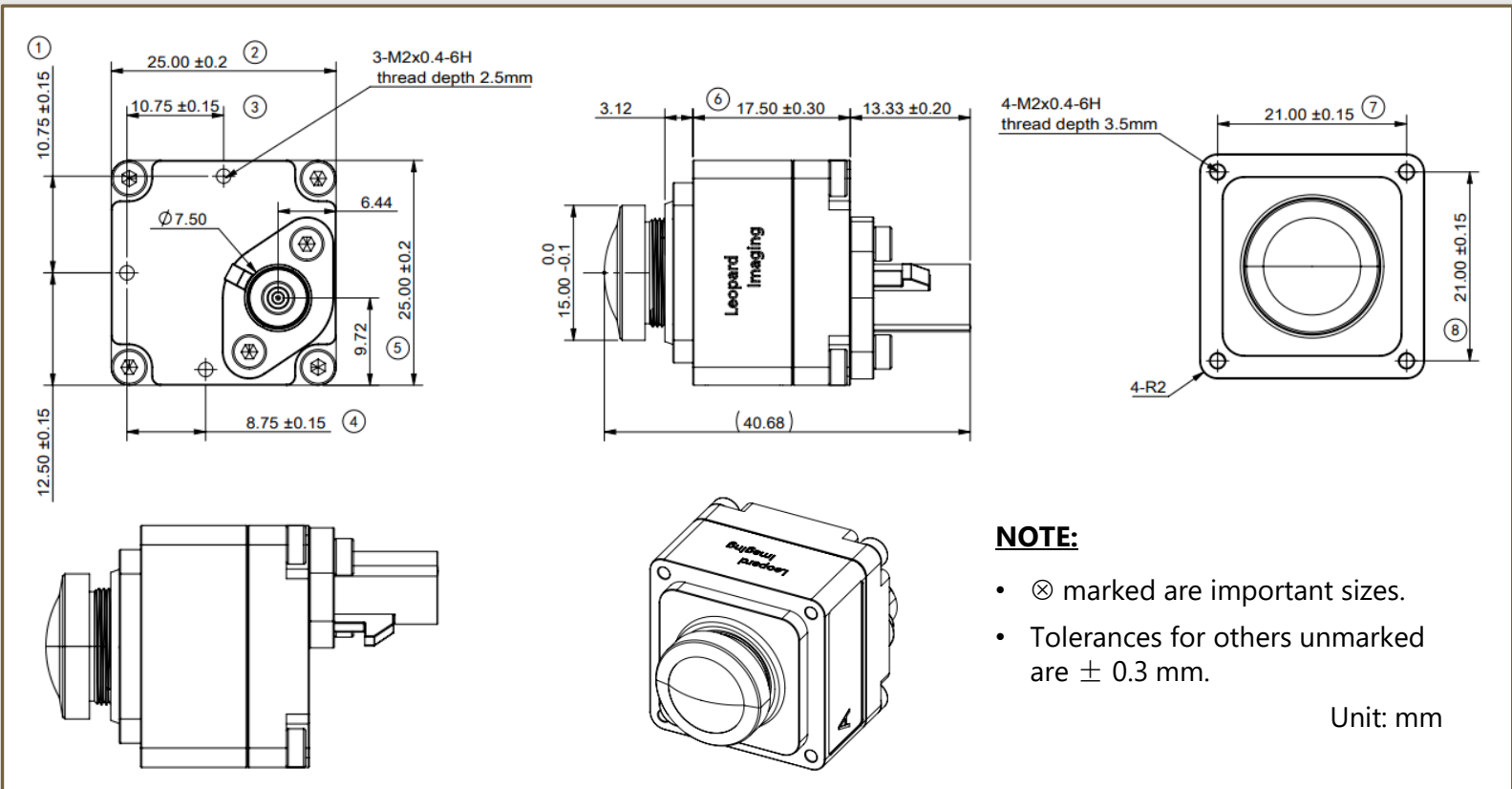
- Housing Connector FAKRA Z Type
- Cable Length: 3 meters
- Cable Part#: FAK-SMZSMZ-3M



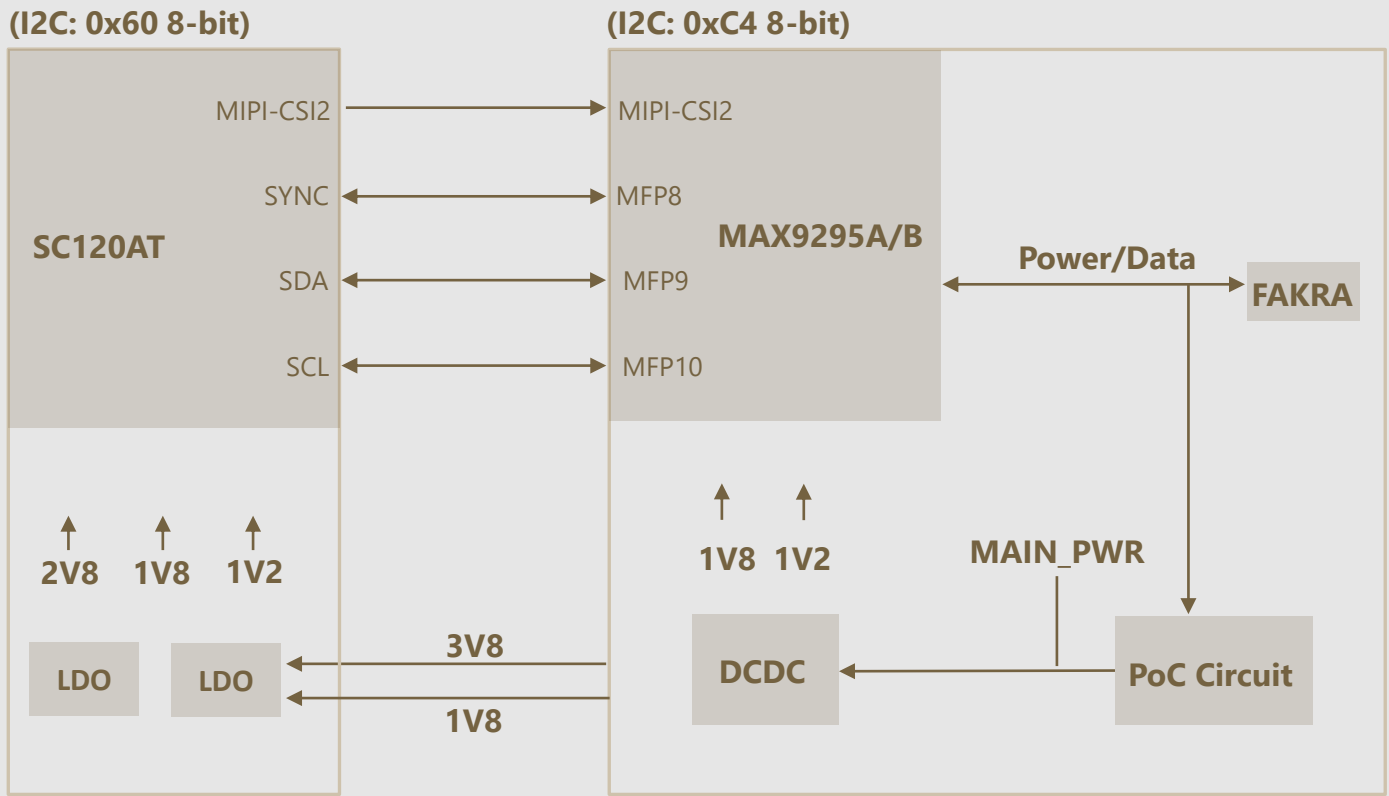
DIMENSIONS: LI-VENUS-SC120AT-GMSL2-115H



DIMENSIONS: LI-VENUS-SC120AT-GMSL2-196H



PINOUT CONNECTIONS



LENS SPECIFICATIONS

NOTE:

xxxH refers to 115H (FOV H 115°), or 196H (FOV H 196°)

LI-VENUS-SC120AT-GMSL2-115H	LI-VENUS-SC120AT-GMSL2-196H
	
Lens EFL: 1.96 mm	Lens EFL: 0.95 mm \pm 5%
Aperture, F/#: 2.2	Aperture, F/#: 2.0 \pm 5%
Field of View (FOV): 115° horizontal	Field of View (FOV): 196.3° \pm 3° horizontal
F-Theta Distortion: < -4.5%	F-Theta Distortion: <+18.1% (3.84 mm)
Relative Illumination: > 60%	Relative Illumination: > 30% (HFOV)
IR Filter: 650 nm IR cut filter	IR Filter: 650 nm IR cut filter
Mount: M12	Mount: M12
IP Rating: IP69K	IP Rating: IP69K

USB3.0 CAMERA KIT

LI-GMSL2-USB



Top View

Bottom View

LI-VENUS-SC120AT-GMSL2-xxxH can connect to LI-GMSL2-USB as a USB 3.0 camera.

Part#: **LI-USB30-VENUS-SC120AT-GMSL2-xxxH**

SPECIFICATIONS

- USB 3.0 Super Speed support
- UVC compliant
- Allows customization
- 12 VDC power supply for camera
- Weight: ~ 189 g
- Single Coax Cable transmits up to 12 meters PoC (Power over Cable)
- Resolution: 1280 x 960 @ 30 fps
- Power consumption: 65 mA @ 12 VDC
- Compatible with Windows, Linux OS and other OS which have UVC drivers



12 VDC power supply for camera

BOM

#	Items	QTY
1	LI-VENUS-SC120AT-GMSL2-xxxH	1
2	LI-GMSL2-USB	1
3	3-Meter Fakra Cable	1
4	12 VDC Power Supply	1
5	USB3.0 Cable	1

SDK SUPPORTED

- Camera Tool Source Code in C#
- Capture & Display
- Register Access Function

● REVISION HISTORY

Revision	Description	Release Date
0.1	Initial draft.	14 Oct 2022

48820 Kato Rd, Suite 100B, Fremont, CA 94538, USA

Phone: +1 (408)263-0988

Fax: +1 (408)217-1960

Email: sales@leopardimaging.com

Website: www.leopardimaging.com

