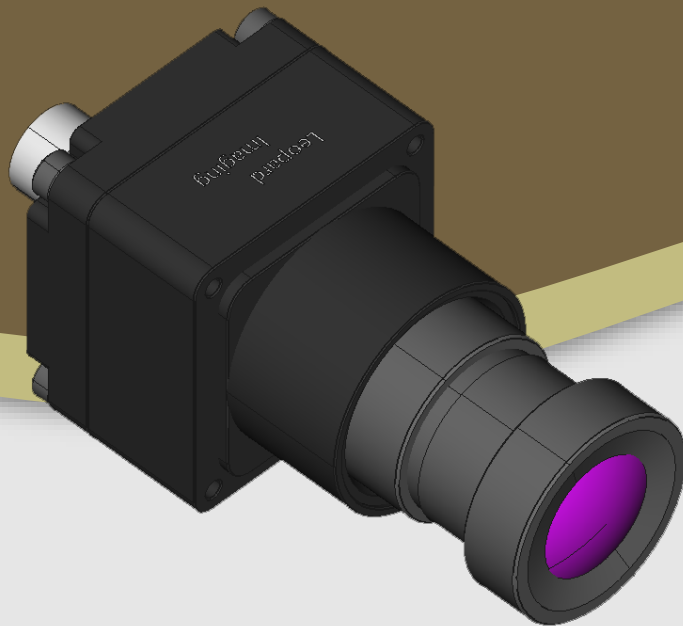




# LI-VENUS-OX08B40-96717-xxxH



**Address:**

48820 Kato Road  
Suite 100B  
Fremont, CA 94538  
USA



**Phone:**

+1 (408)263-0988

**Fax:**

+1 (408)217-1960



**Sales:**

[sales@leopardimaging.com](mailto:sales@leopardimaging.com)

**Support:**

[support@leopardimaging.com](mailto:support@leopardimaging.com)

## INTRODUCTION

The LI-VENUS-OX08B40-96717-xxxH is equipped with OmniVision CMOS high-definition high dynamic range sensor OX08B40 which features PureCel®Plus-S technology to provide higher sensitivity and full-well capacity. This camera outputs 12-bit / 14-bit / 16-bit / 20-bit RAW data.

## SPECIFICATIONS

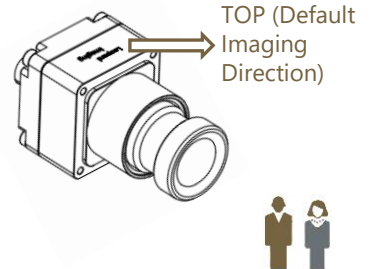
Sensor	OmniVision CMOS HDR HD sensor OX08B40
Optical Format	1/1.73"
Resolution	3840 (H) x 2160 (V) (active pixels)
Pixel Size	2.1 x 2.1 $\mu\text{m}$
Output Format	12-bit / 14-bit / 16-bit / 20-bit RAW
Color / Mono	Color sensor
Maximum Frame Rate	36 fps @ 4 K
HDR (High Dynamic Range)	Supported
LFM (LED Flicker Mitigation)	Supported
Serializer	Maxim MAX96717
Lens	FOV H 30° / 60° / 120°
Power Supply Range	TBD
Connector	FAKRA Z TYPE
IP Rating	TBD
Power Consumption	83 mA @ 12 VDC (3840 x 2160 @ 10 fps)
Operating Temp	-40°C ~ +85°C
Storage Temp	-40°C ~ +85°C
Weight	TBD
Part#	LI-VENUS-OX08B40-96717-xxxH

## APPLICATIONS

- Automotive
  - ◆ High Resolution Front Viewing
  - ◆ Machine Vision
  - ◆ Autonomous Driving
  - ◆ Assisted Driving
  - ◆ Digital Video Recording

## DEFAULT IMAGING DIRECTION

- The logo "Leopard Imaging" is on the TOP.

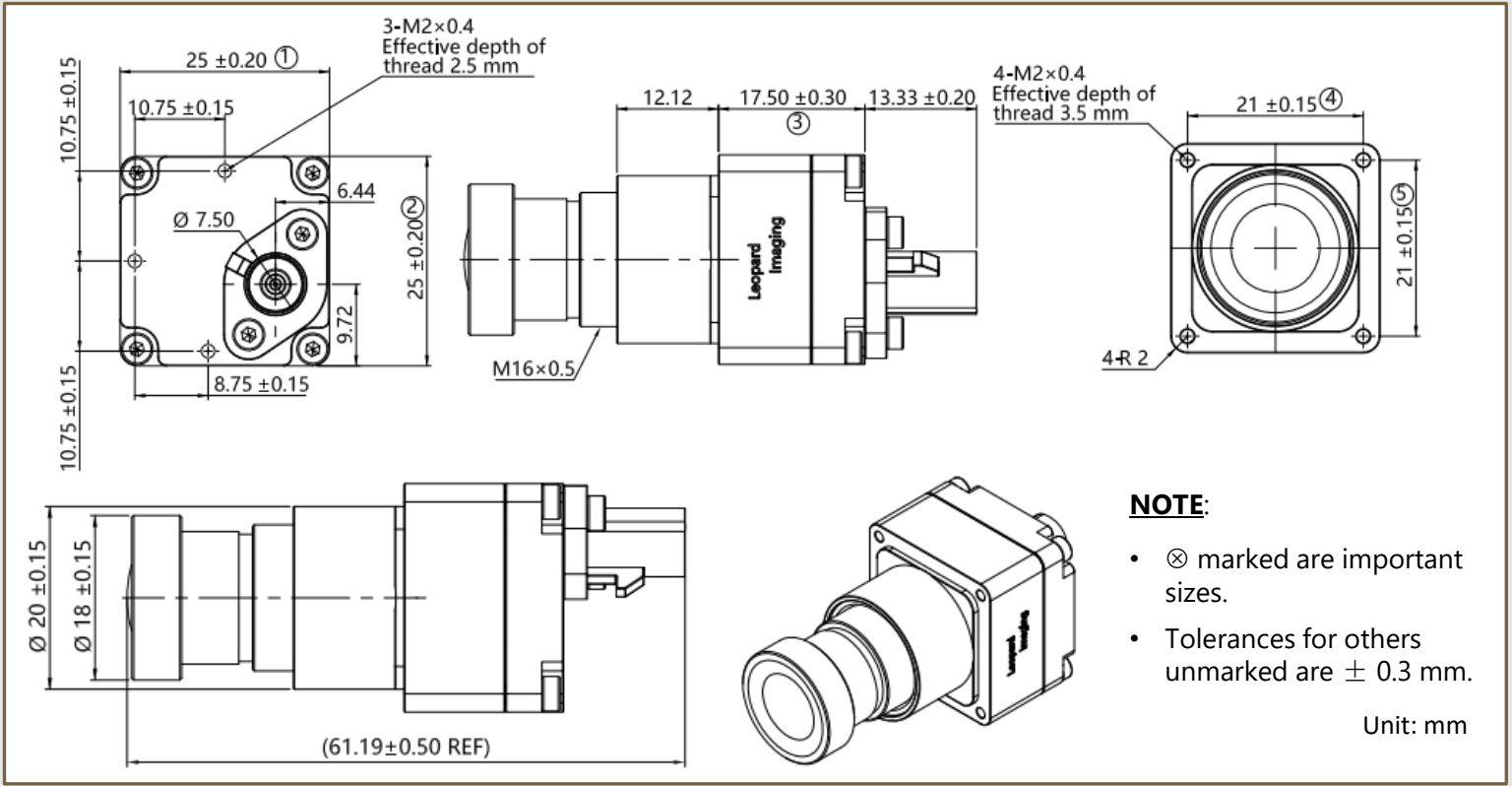


## CABLE CONNECTOR

- Housing Connector FAKRA Z Type
- Cable Length: 3 meters
- Cable Part#: FAK-SMZSMZ-3M



## DIMENSIONS: LI-VENUS-OX08B40-96717-030H

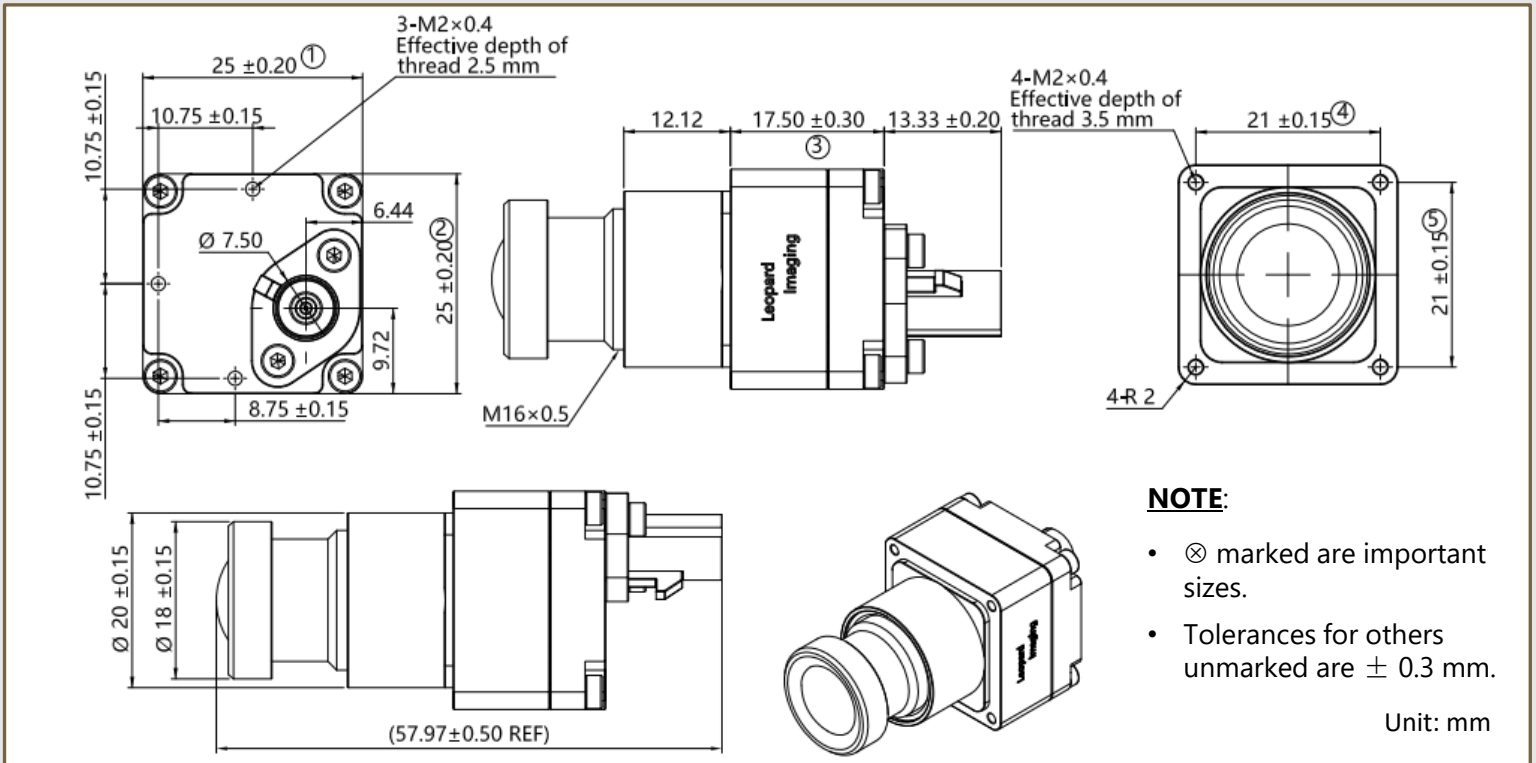


**NOTE:**

- $\otimes$  marked are important sizes.
- Tolerances for others unmarked are  $\pm 0.3 \text{ mm}$ .

Unit: mm

## DIMENSIONS: LI-VENUS-OX08B40-96717-060H

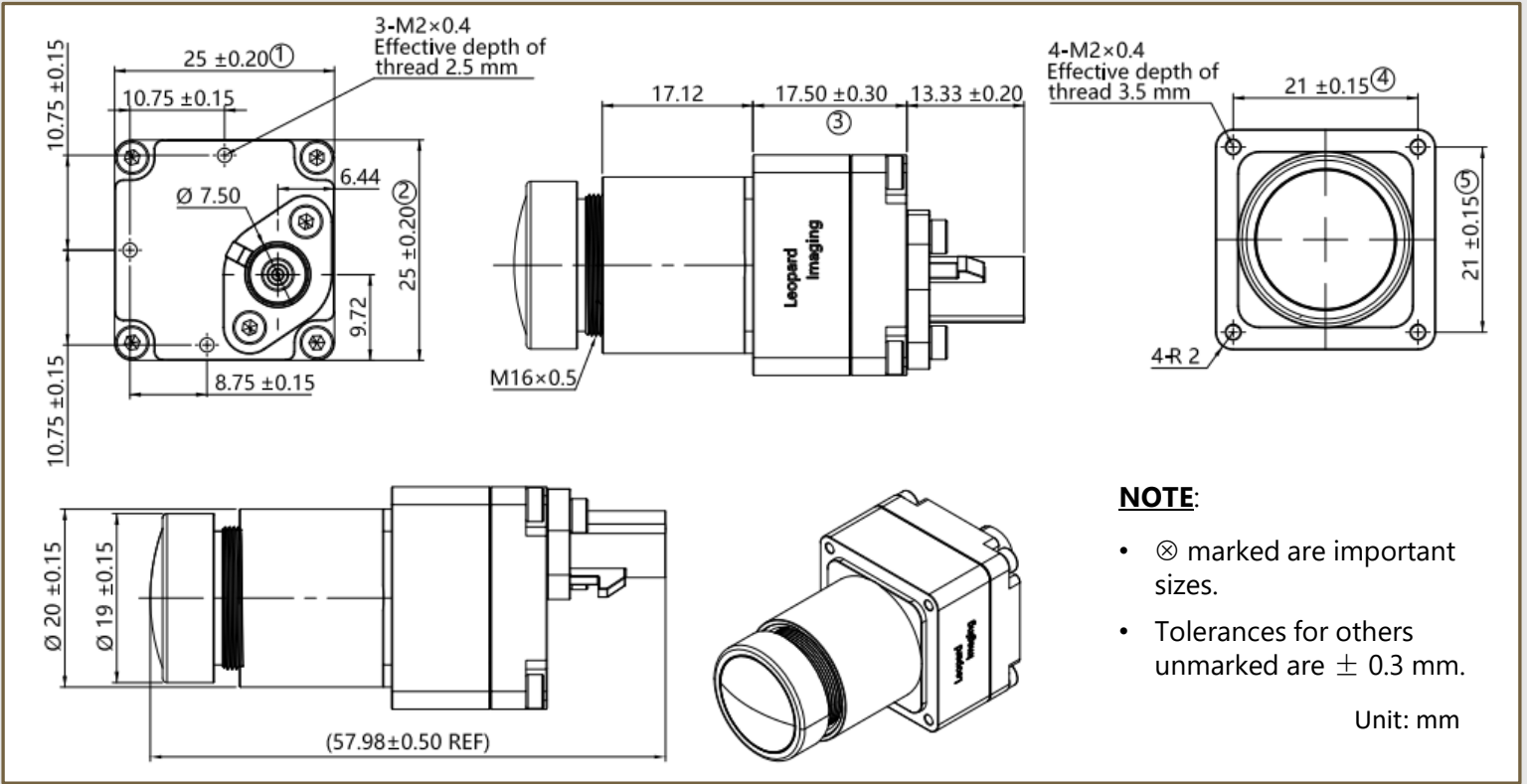


**NOTE:**

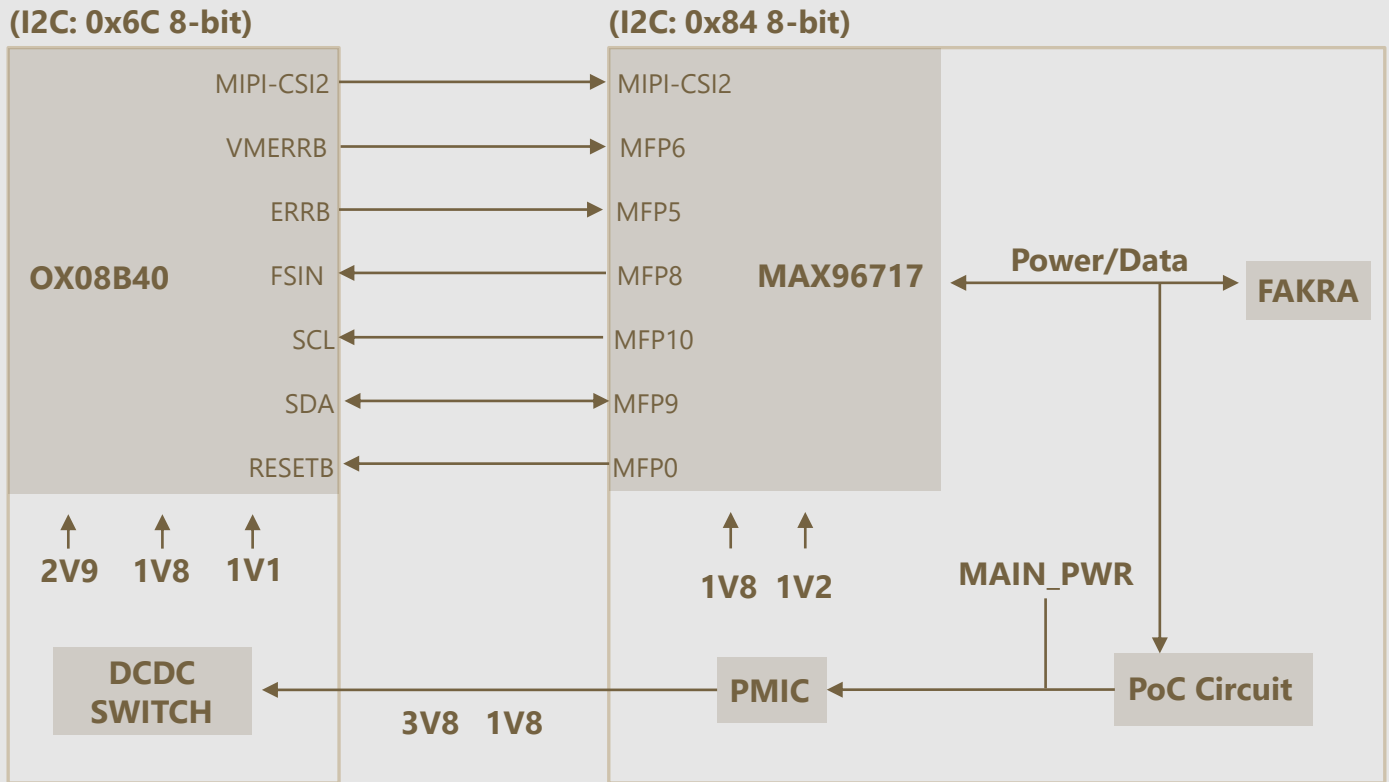
- $\otimes$  marked are important sizes.
- Tolerances for others unmarked are  $\pm 0.3 \text{ mm}$ .

Unit: mm

# DIMENSIONS: LI-VENUS-OX08B40-96717-120H



# BLOCK DIAGRAM



## ORDERING INFORMATION

**NOTE:**

xxxH refers to 030H (FOV H 30°), 060H (FOV H 60°) or 120H (FOV H 120°)

LI-VENUS-OX08B40-96717-030H

Lens EFL: 15.393 mm $\pm$ 3.0%
Aperture, F/#: 1.60 $\pm$ 5.0%
Field of View (FOV): 30.00° $\pm$ 2.0° horizontal (Ø8.064 mm)
TV Distortion: -2.87% $\pm$ 5.0 % (f -tan $\theta$ )
Relative Illumination: 70.15% $\pm$ 10.0%
IR Filter: 700 nm IR cut filter
Mount: M16 x P0.5
IP Rating: IP6K7

LI-VENUS-OX08B40-96717-060H	LI-VENUS-OX08B40-96717-120H
	
Lens EFL: 7.750 mm $\pm$ 5%	Lens EFL: 3.69 mm $\pm$ 5%
Aperture, F/#: 1.6 $\pm$ 10%	Aperture, F/#: 1.6 $\pm$ 5%
Field of View (FOV): 60.00° $\pm$ 3° horizontal (Ø8.064 mm)	Field of View (FOV): 123.2° $\pm$ 3° horizontal (Ø8.064 mm)
Optical Distortion: -12.66% $\pm$ 5% (f-tan $\theta$ )	Distortion: -54.57% $\pm$ 5% (f- $\theta$ ) (DFOV)
Relative Illumination: $\geq$ 60%	Relative Illumination: 58% (DFOV)
IR Filter: 700 nm IR cut filter	IR Filter: 700 nm IR cut filter
Mount: M16 x P0.5	Mount: M16 x P0.5
IP Rating: IP69K	IP Rating: IP67

# USB3.0 CAMERA KIT

LI-GMSL2-USB



Top View



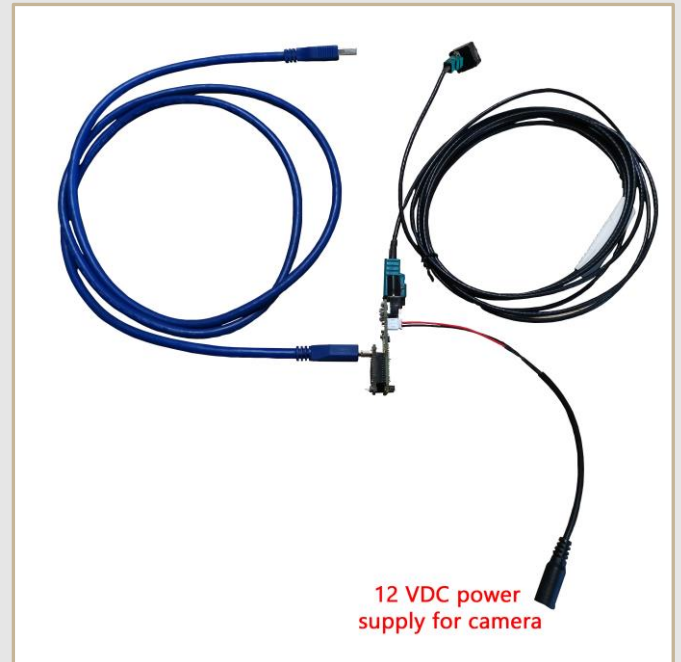
Bottom View

LI-VENUS-OX08B40-96717-xxxH can connect to LI-GMSL2-USB as a USB 3.0 camera.

Part#: **LI-USB30-VENUS-OX08B40-96717-OX08B-xxxH**

## SPECIFICATIONS

- USB 3.0 Super Speed support
- UVC compliant
- Allows customization
- 12 VDC Power Supply for camera
- Weight: TBD
- Single Coax Cable transmits up to 12 meters PoC (Power over Cable)
- Resolution: 3840 x 2160 @ 10 fps
- Power consumption: 83 mA @ 12 VDC
- Compatible with Windows, Linux OS and other OS which have UVC drivers



## BOM

#	Items	QTY
1	LI-VENUS-OX08B40-96717-xxxH	1
2	LI-GMSL2-USB	1
3	3-Meter Fakra Cable	1
4	12 VDC Power Supply	1
5	USB3.0 Cable	1

## SDK SUPPORTED

- Camera Tool Source Code in C#
- Capture & Display
- Register Access Function

## ● REVISION HISTORY

Revision	Description	Release Date
0.1	Initial draft.	22 Jul 2022
0.2	Updated temp info.	21 Nov 2022

48820 Kato Rd, Suite 100B, Fremont, CA 94538, USA

Phone: +1 (408)263-0988

Fax: +1 (408)217-1960

Email: [sales@leopardimaging.com](mailto:sales@leopardimaging.com)

Website: [www.leopardimaging.com](http://www.leopardimaging.com)

