



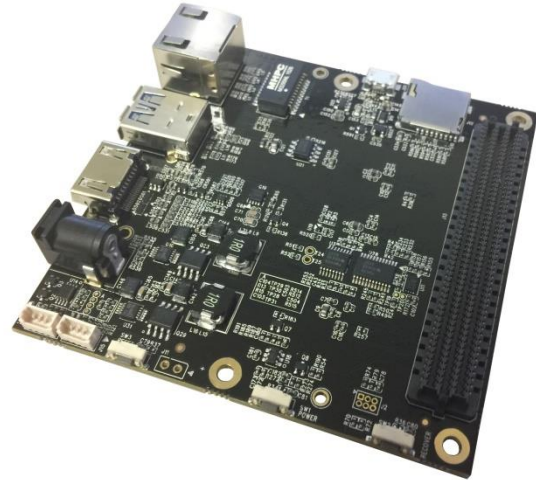
LEOPARD IMAGING INC

Rev 1.2

Technical details

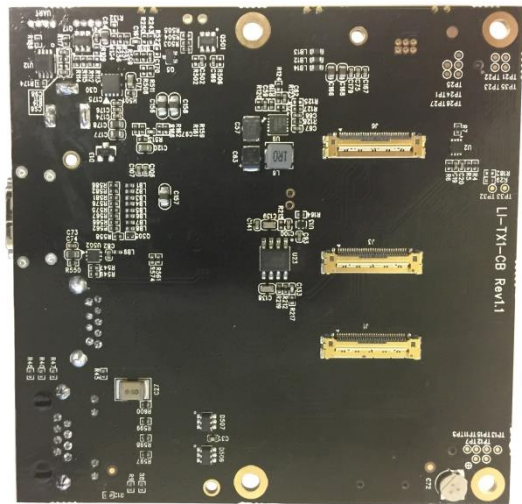
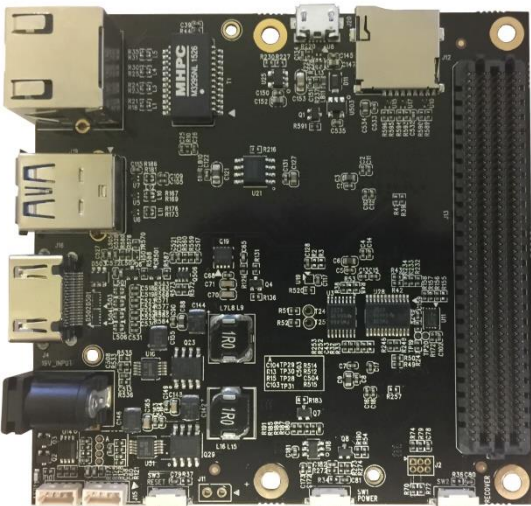
- Carrier board for NVIDIA Jetson TX1/TX2 SOM
- 3 MIPI camera interfaces (4-lane)
- 1 micro SD card interface
- 1 USB3 Type A connector
- 1 HDMI connector
- 1 power socket (DC 12V)
- 1 RJ45 connector
- 1 USB 2.0 micro B interface
- 1 Fan connector (4 pin)
- 1 UART interface (4pin, 3.3V TTL)
- Weight: 54g (without TX1/2 SOM)
- Size: 87mm x 88mm
- Part#: **LI-TX1-CB**

LI-TX1-CB Data Sheet



BOM

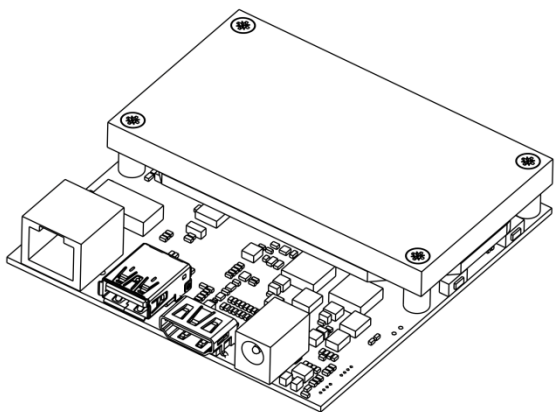
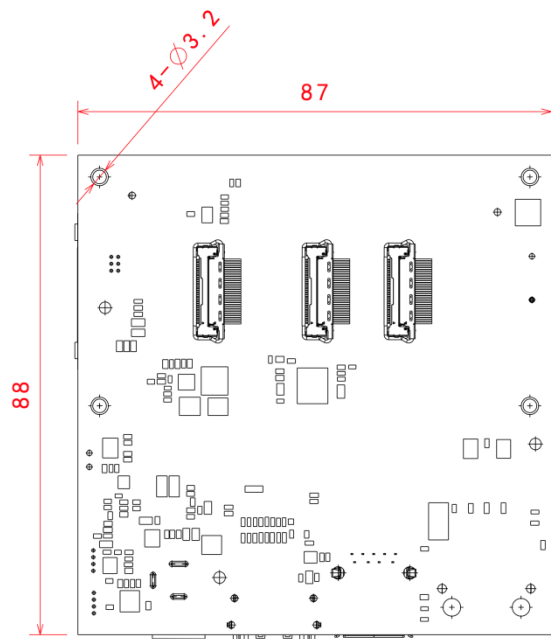
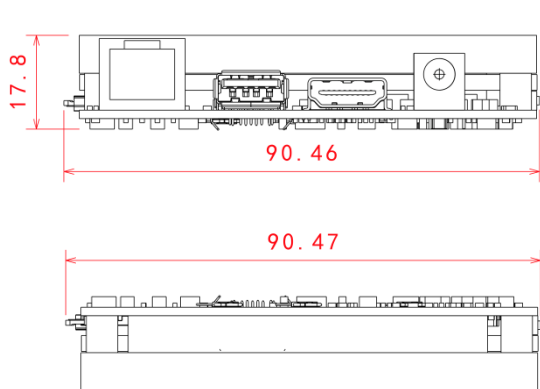
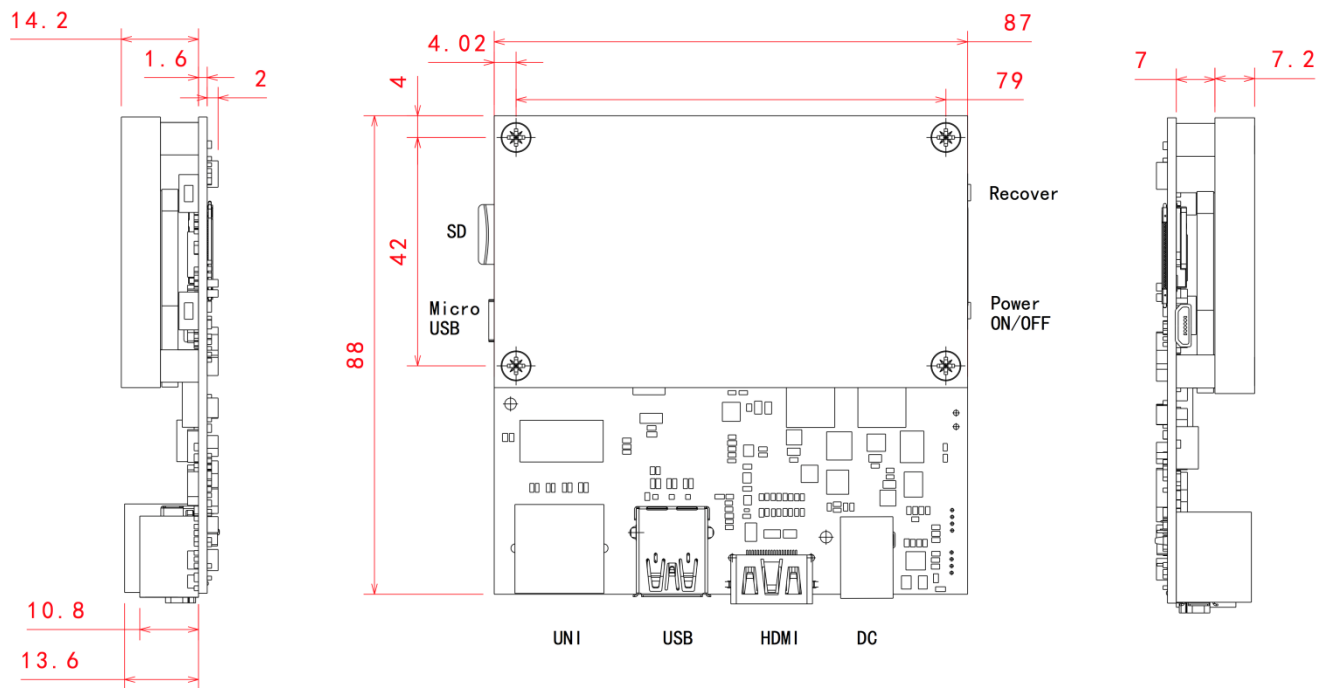
#	Items	QTY
1	LI-TX1-CB carrier board	1
2	DC 12V power supply	1
3	USB 2.0 Type A - Micro B cable	1



Leopard Imaging Inc.

48820 Kato Rd, Suite 100B, Fremont, CA 94538, USA
Phone: +1-408-263-0988
Fax: +1-408-217-1960
Email: sales@leopardimaging.com
Website: www.leopardimaging.com

Dimensions (with TX1/TX2 SOM)



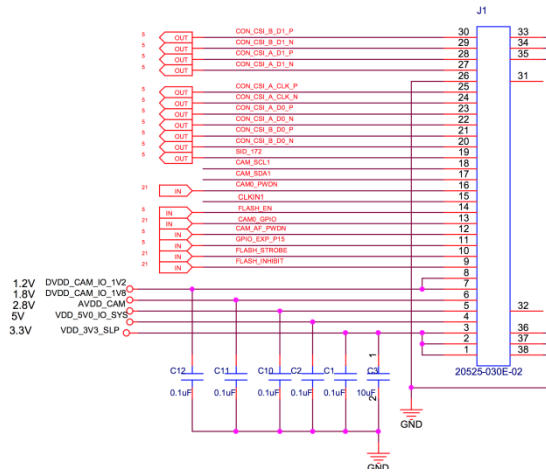
Leopard Imaging Inc.

48820 Kato Rd, Suite 100B, Fremont, CA 94538, USA
 Phone: +1-408-263-0988
 Fax: +1-408-217-1960
 Email: sales@leopardimaging.com
 Website: www.leopardimaging.com

Interfaces

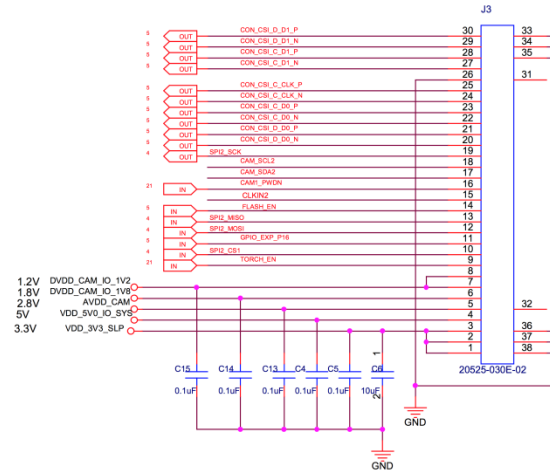
Interface J1 (camera channel 1)

- Part#: 20525-030E-02C
- Number of Positions: 30
- Pitch: 0.4mm
- Mating I-PEX cable: FAW-1233-03 (300mm)



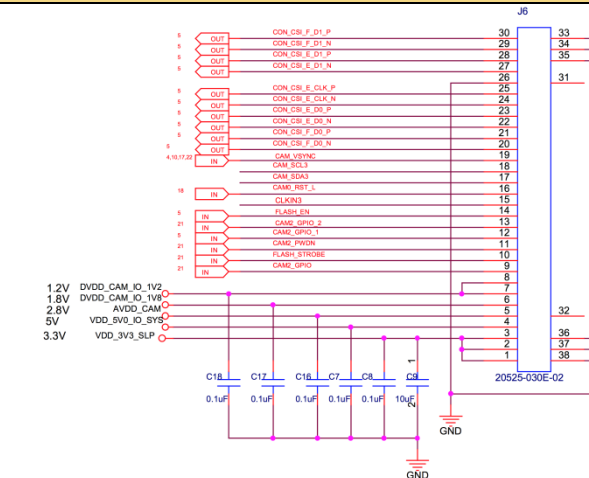
Interface J3 (camera channel 2)

- Part#: 20525-030E-02C
- Number of Positions: 30
- Pitch: 0.4mm
- Mating I-PEX cable: FAW-1233-03 (300mm)



Interface J6 (camera channel 3)

- Part#: 20525-030E-02C
- Number of Positions: 30
- Pitch: 0.4mm
- Mating I-PEX cable: FAW-1233-03 (300mm)

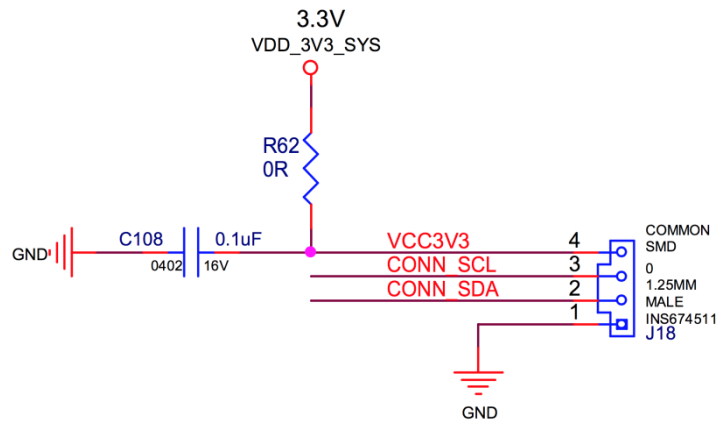


Leopard Imaging Inc.

48820 Kato Rd, Suite 100B, Fremont, CA 94538, USA
 Phone: +1-408-263-0988
 Fax: +1-408-217-1960
 Email: sales@leopardimaging.com
 Website: www.leopardimaging.com

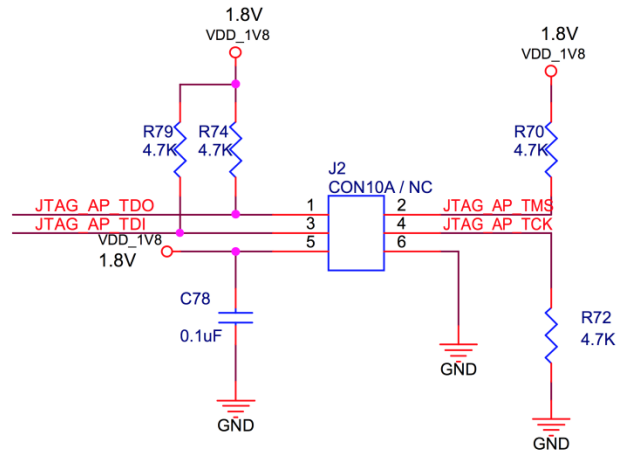
Interface J18 (External I2C header)

- Part#: 0530470410
- Number of Contacts: 4
- Pitch: 1.25 mm
- Mating Connector: 0510210400



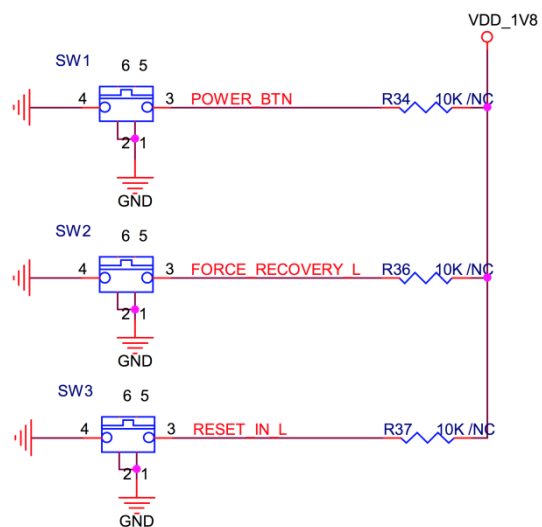
Interface J2 (JTAG header)

- 6-pin interface



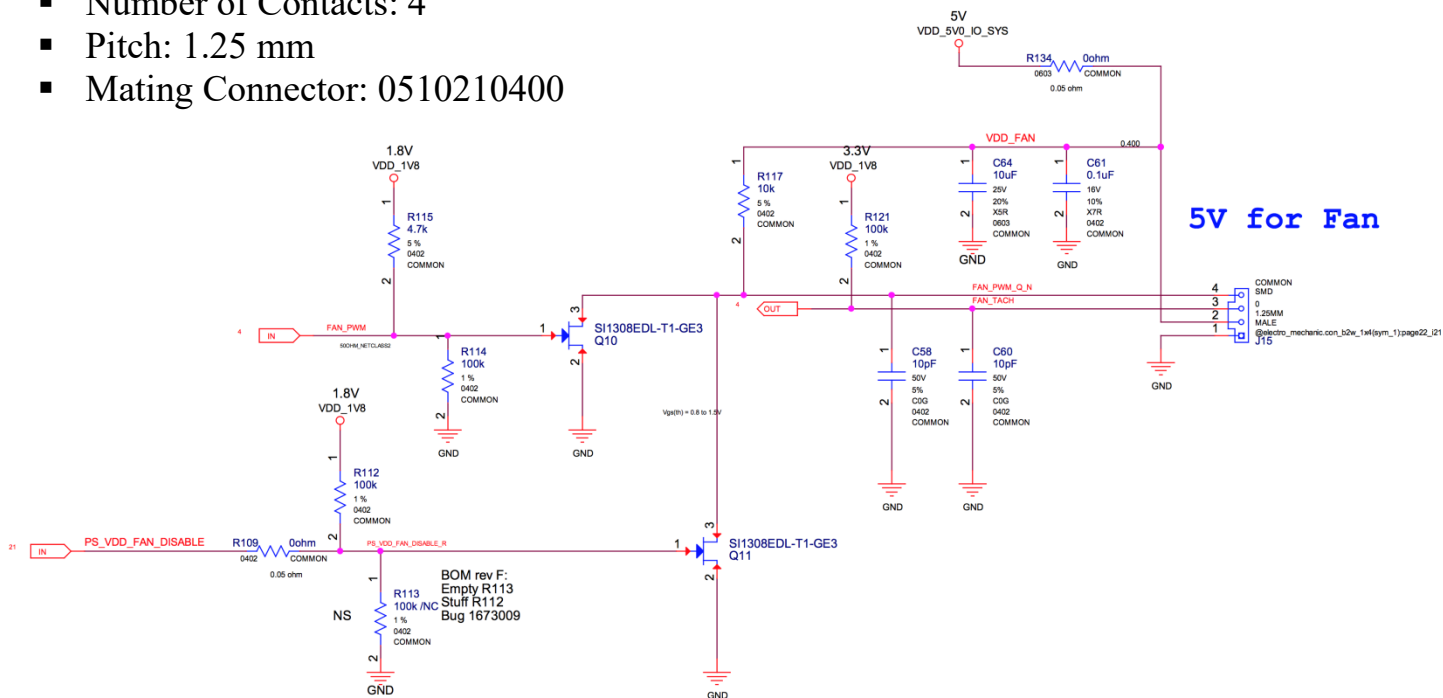
Button SW1, SW2, SW3

- Part#: TL3330AF130QG
- Actuator Type: Rectangular Button



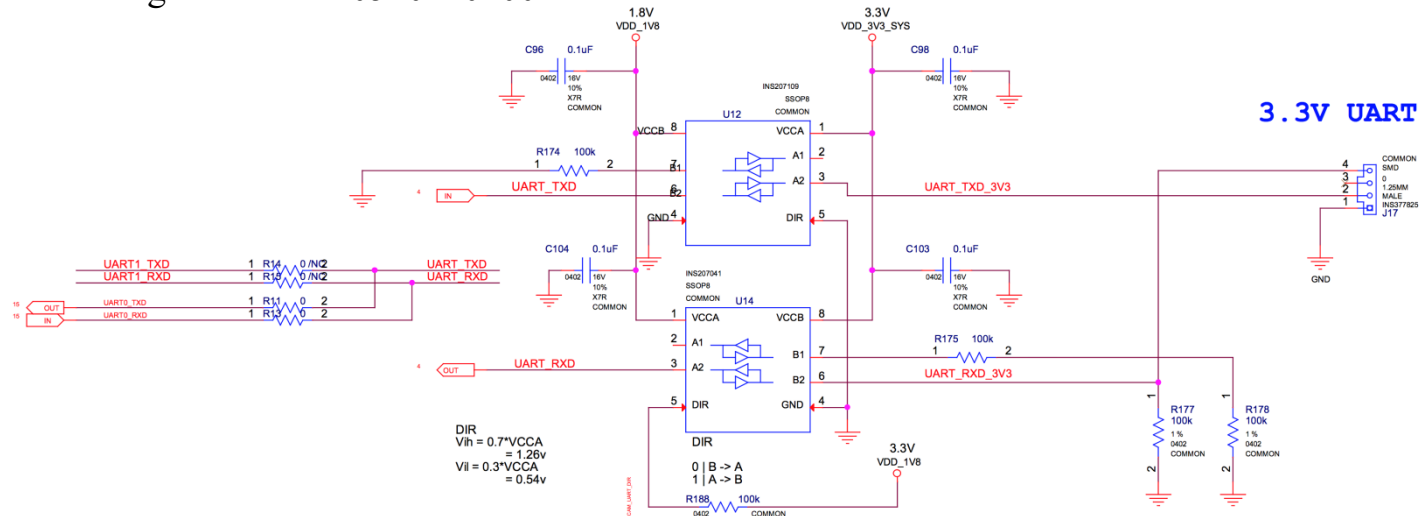
Fan Interface

- Part#: 0530470410
- Number of Contacts: 4
- Pitch: 1.25 mm
- Mating Connector: 0510210400



UART Interface

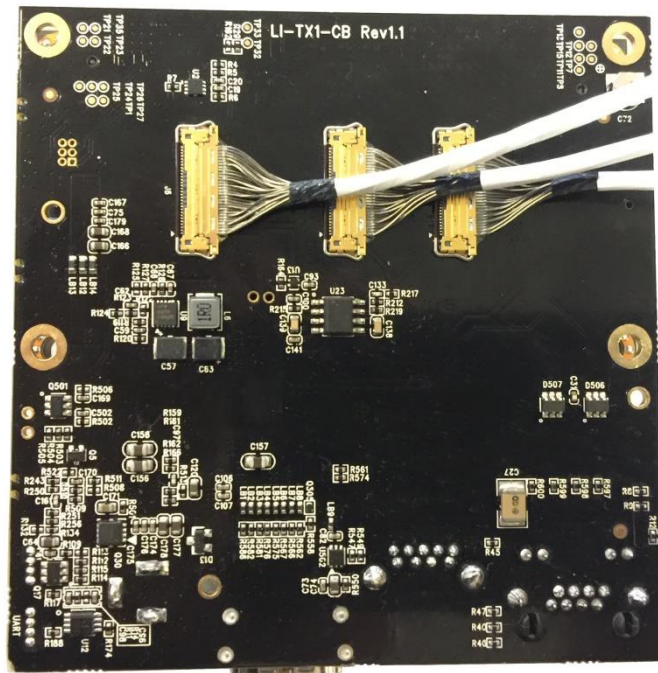
- Part#: 0530470410
- Number of Contacts: 4
- Pitch: 1.25 mm
- Mating Connector: 0510210400



Leopard Imaging Inc.

48820 Kato Rd, Suite 100B, Fremont, CA 94538, USA
 Phone: +1-408-263-0988
 Fax: +1-408-217-1960
 Email: sales@leopardimaging.com
 Website: www.leopardimaging.com

Support one to three 4-lane MIPI cameras



Leopard Imaging Inc.

48820 Kato Rd, Suite 100B, Fremont, CA 94538, USA
Phone: +1-408-263-0988
Fax: +1-408-217-1960
Email: sales@leopardimaging.com
Website: www.leopardimaging.com