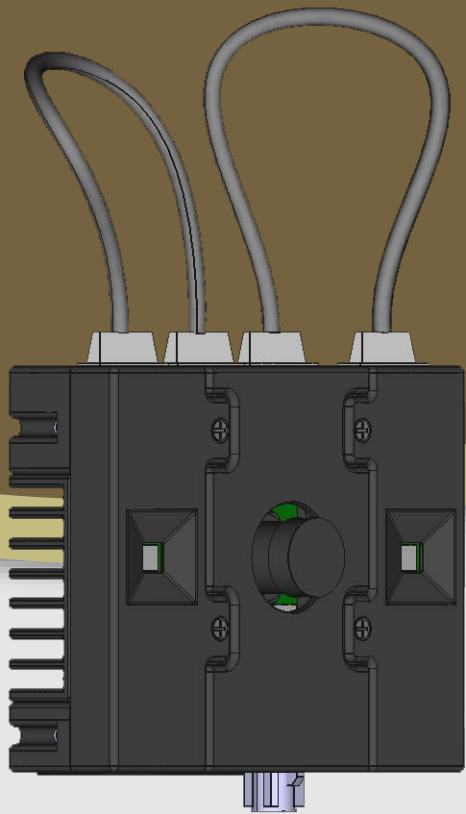




LI-ST-VG1762-RGBIR-OMS/DMS-T



Address:

48820 Kato Road
Suite 100B
Fremont, CA 94538
USA



Phone:

+1 (408)263-0988

Fax:

+1 (408)217-1960



Sales:

sales@leopardimaging.com

Support:

support@leopardimaging.com

INTRODUCTION

The LI-ST-VG1762-RGBIR-OMS/DMS-T is equipped with STMicroelectronics high-dynamic RGB-IR global shutter image sensor VG1762 which features high MTF. This camera outputs 8-bit / 10-bit / 12-bit / 14-bit / 16-bit RAW data.

SPECIFICATIONS

| | |
|--------------------|--|
| Sensor | STMicroelectronics HDR RGB-IR Global Shutter Image Sensor VG1762 |
| Optical Format | 1/2.5" |
| Maximum Resolution | 1944 (H) x 1204 (V) |
| Pixel Size | 3.2 x 3.2 μm |
| Output Format | 8-bit / 10-bit / 12-bit / 14-bit / 16-bit RAW data |
| Color / Mono | RGB-IR |
| Shutter | Global shutter |
| Frame Rate | 60 fps @ 1944 x 1204 |
| Dynamic Range | 96 dB |
| Serializer | Maxim MAX9295A/B |
| Power Supply Range | 9 ~ 19 VDC |
| FPGA | Included for VCSEL and sensor control |
| ISP | Not included |
| VCSEL | Included |
| FAKRA Connector | FAKRA Z TYPE |
| Power Consumption | $\leq 113 \text{ mA}$ @ 12 VDC (Camera module + 2 LEDs) |
| Operating Temp | -25°C ~ +85°C |
| Storage Temp | -25°C ~ +85°C |
| Weight | TBD |
| Rev No. | Rev A |
| Part# | LI-ST-VG1762-RGBIR-OMS/DMS-T |

APPLICATIONS

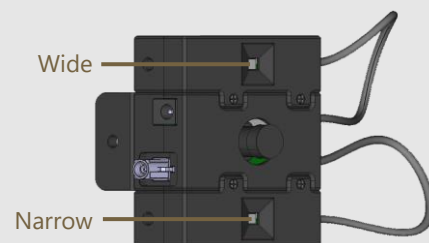
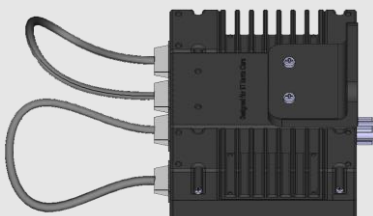
- Cabin Monitoring
- Driver Monitoring
- Autonomous Driving
- IR Application

LENS SPECIFICATIONS

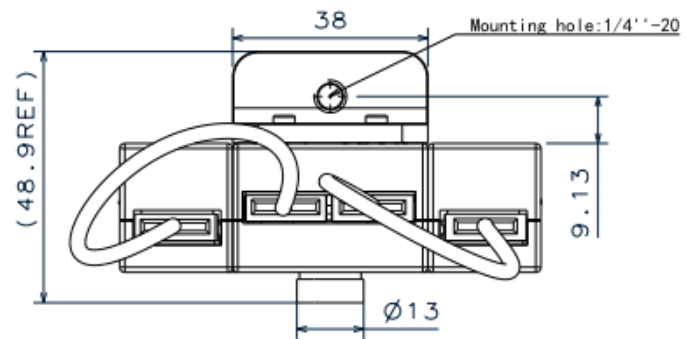
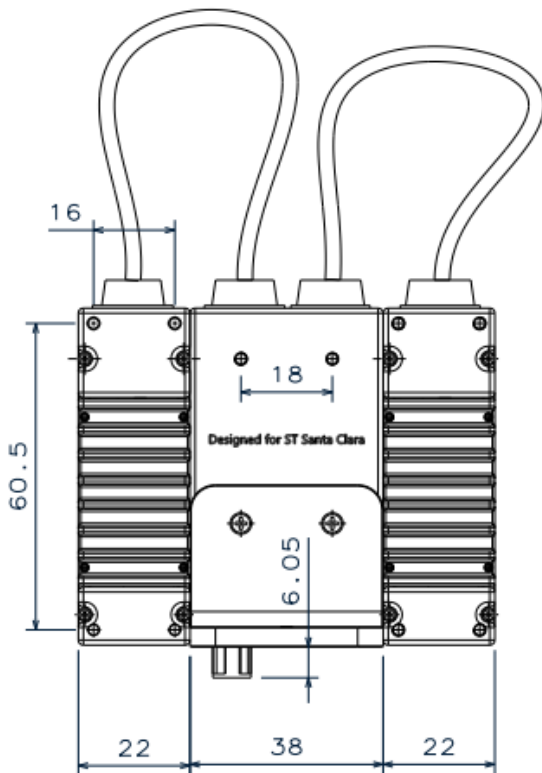
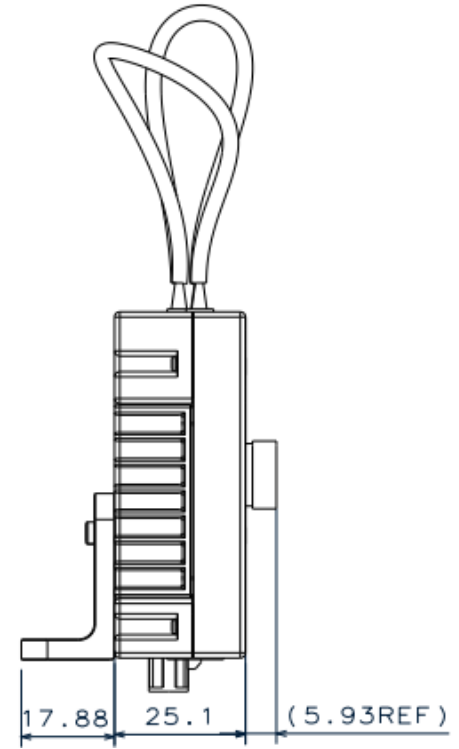
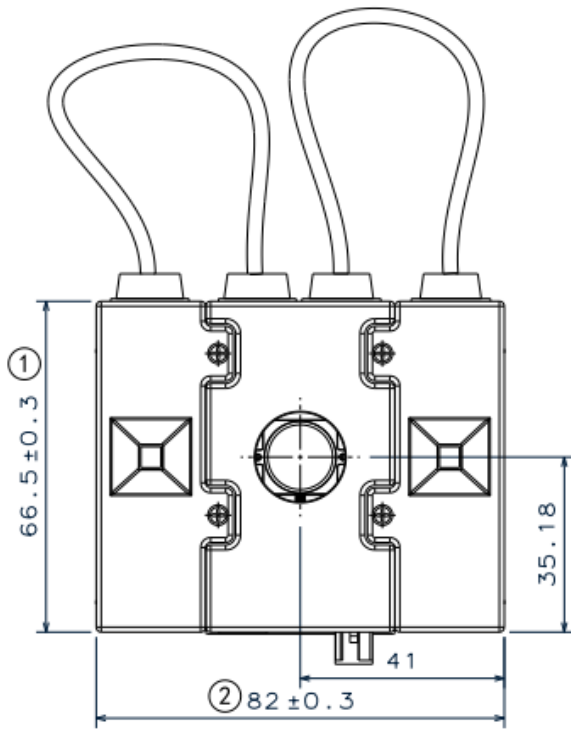
| | |
|-----------------------|--------------------|
| Focal Length | 3.723 mm |
| Aperture, F/# | 1.7 |
| Field of View (FOV) | 122.06° diagonal |
| | 100.94° horizontal |
| | 60.42° vertical |
| Optical Distortion | -45.46% |
| Relative Illumination | 61.67% |
| IR Filter | Visible + 940 nm |
| Lens Mount | M12 x P0.5 |

VCSEL SPECIFICATIONS

| | |
|-------------------------------------|-----------------|
| Wavelength | 940 nm |
| Field of Illumination (FOI): Wide | 110° horizontal |
| | 85° vertical |
| Field of Illumination (FOI): Narrow | 60° horizontal |
| | 45° vertical |
| Maximum Optical Power | 6 W |
| QTY on Camera | 2 |



DIMENSIONS

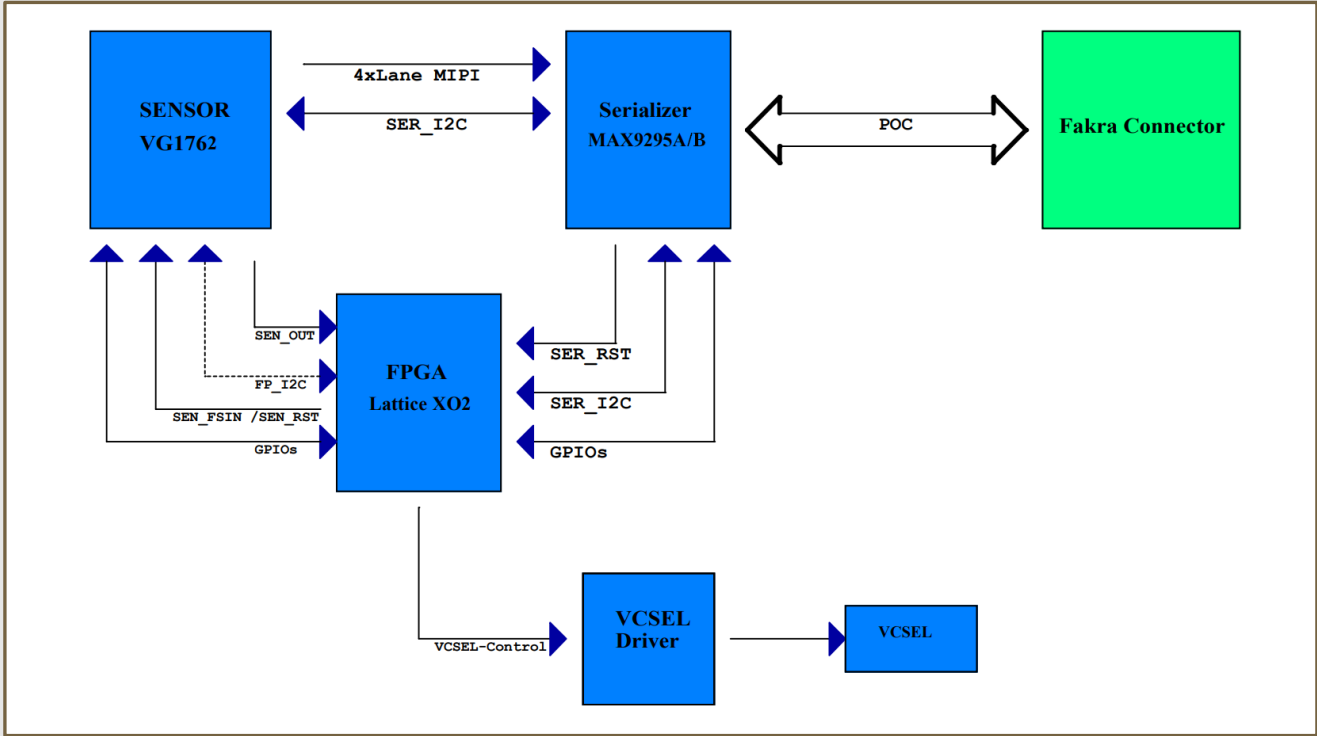


NOTE:

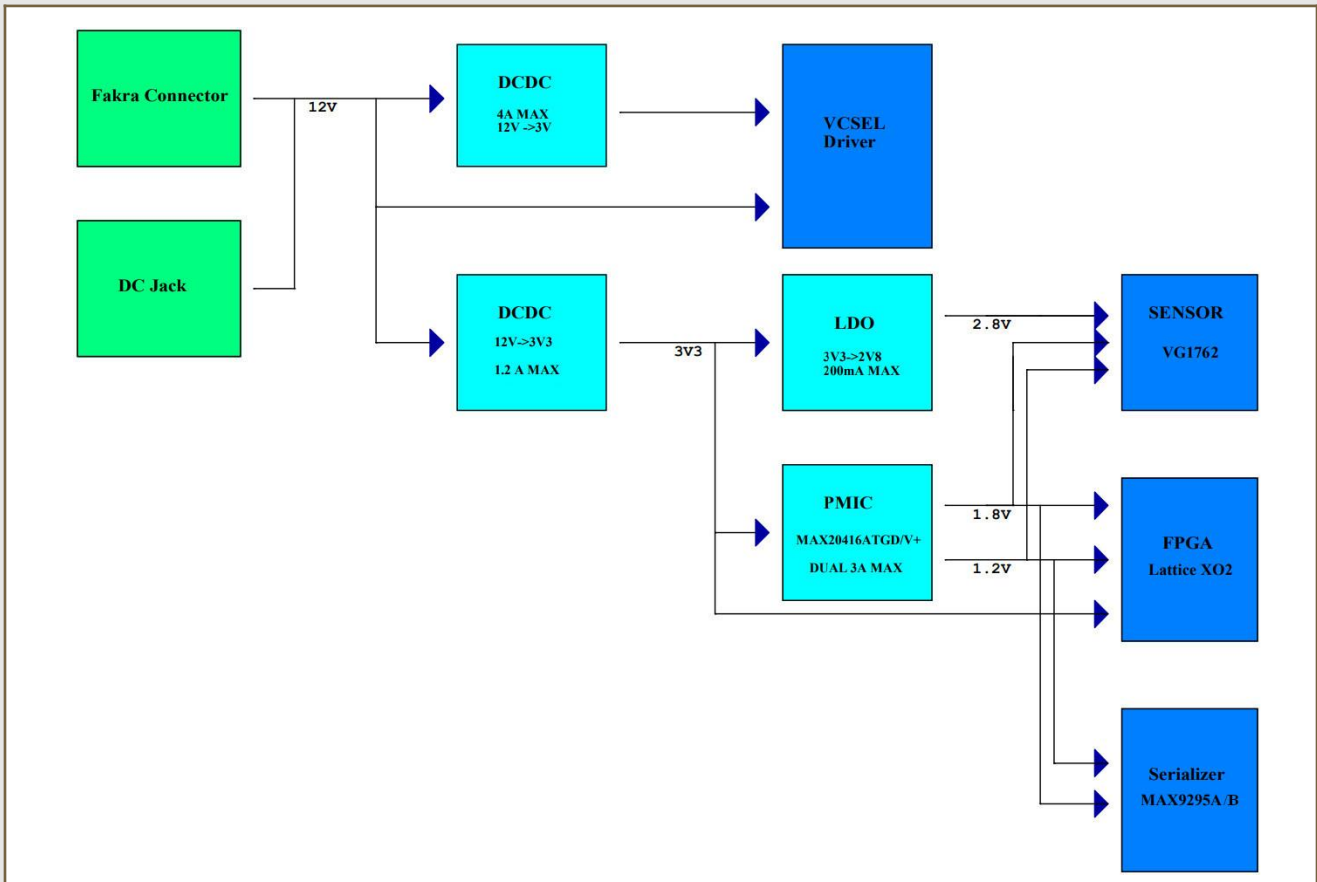
- \otimes marked are important sizes.
- Tolerances for others unmarked are ± 0.3 mm.

Unit: mm

SYSTEM BLOCK DIAGRAM



POWER BLOCK DIAGRAM



USB3.0 CAMERA KIT

LI-GMSL2-USB-BOX



Front View



Side View

LI-ST-VG1762-RGBIR-OMS/DMS-T can connect to LI-GMSL2-USB-BOX as a USB 3.0 camera.

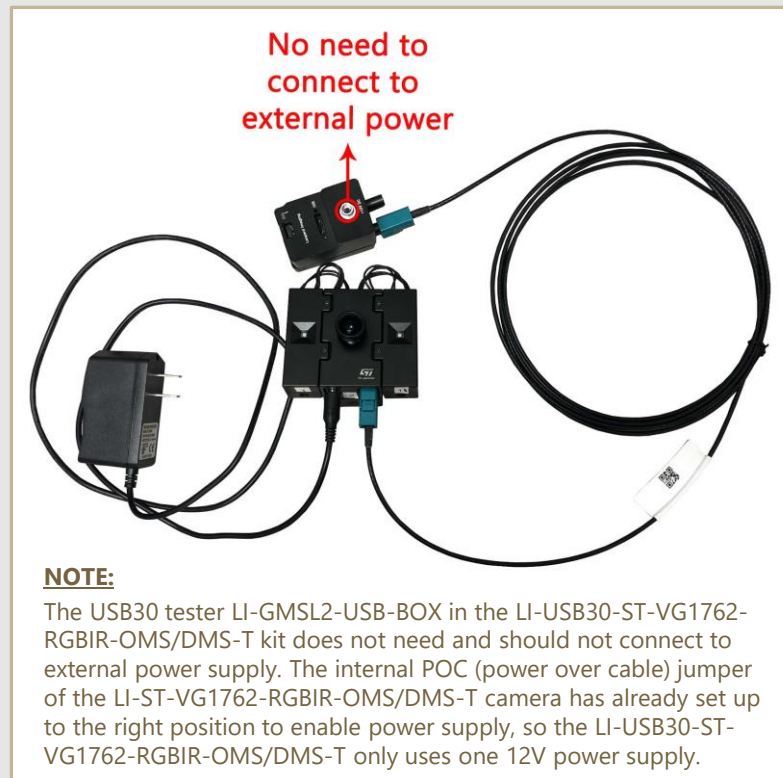
Part#: **LI-USB30-ST-VG1762-RGBIR-OMS/DMS-T**

SPECIFICATIONS

- USB 3.0 Super Speed support
- RAW output
- UVC compliant
- Allows customization
- 12 VDC power supply for camera
- Weight: TBD
- Single Coax Cable transmits up to 12 meters PoC (Power over Cable)
- Resolution: 1944 x 1204 @ 60 fps
- Compatible with Windows, Linux OS and other OS which have UVC drivers

BOM

| # | Items | QTY |
|---|------------------------------|-----|
| 1 | LI-ST-VG1762-RGBIR-OMS/DMS-T | 1 |
| 2 | LI-GMSL2-USB-BOX | 1 |
| 3 | 3-Meter Fakra Cable | 1 |
| 4 | 12 VDC Power Supply | 1 |
| 5 | USB3.0 Cable | 1 |



SDK SUPPORTED

- Camera Tool Source Code in C#
- Capture & Display

REVISION HISTORY

| Revision | Description | Release Date |
|----------|--|--------------|
| 1.0 | First release. | 13 Aug 2021 |
| 1.1 | Changed Part# from LI-VG1761-GMSL2-DMS to LI-ST-VG1761-RGBIR-OMS/DMS-100H and added Rev No. (Rev A.) | 16 Nov 2021 |
| 1.2 | Changed Part# from LI-ST-VG1761-RGBIR-OMS/DMS-100H to LI-ST-VG1761-RGBIR-OMS/DMS-T. | 26 Nov 2021 |
| 1.3 | Changed VG1761 to VG1762 and the number of power supply from 2 to 1. | 12 Jan 2022 |
| 1.4 | Updated power consumption, frame rate and resolution. | 31 Aug 2022 |
| 1.5 | Added note about power on the picture of USB30 kit and deleted Part# in power block diagram. | 15 Nov 2022 |

48820 Kato Rd, Suite 100B, Fremont, CA 94538, USA

Phone: +1-408-263-0988

Fax: +1-408-217-1960

Email: sales@leopardimaging.com

Website: www.leopardimaging.com

