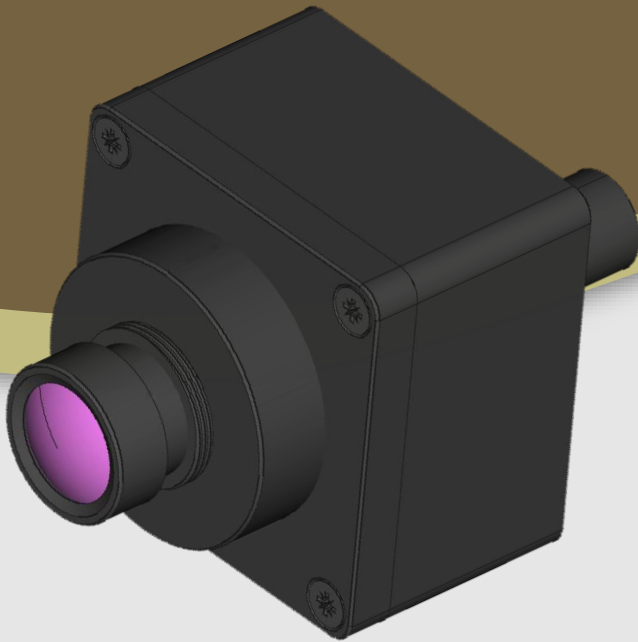




# LI-OX03C10-GMSL2-072H



**Address:**

48820 Kato Road  
Suite 100B  
Fremont, CA 94538  
USA



**Phone:**

+1 (408)263-0988

**Fax:**

+1 (408)217-1960



**Sales:**

[sales@leopardimaging.com](mailto:sales@leopardimaging.com)

**Support:**

[support@leopardimaging.com](mailto:support@leopardimaging.com)

## INTRODUCTION

The LI-OX03C10-GMSL2-072H is equipped with OmniVision color CMOS (1920 x 1280) high dynamic range (HDR) image sensor OX03C10 which features PureCel® Plus-S technology. This camera outputs 16-bit / 14-bit / 12-bit RAW data.

## SPECIFICATIONS

Sensor	OmniVision 1/2.6" Color CMOS HDR Image Sensor OX03C10
Optical Format	1/2.6"
Resolution	1920 (H) x 1280 (V) (active pixels)
Pixel Size	3.0 x 3.0 $\mu\text{m}$
Output Format	16-bit / 14-bit / 12-bit RAW data
Maximum Frame Rate	60 fps @ 1280P
HDR (High Dynamic Range)	Supported
Serializer	Maxim MAX9295A/B
Power Supply Range	9 ~ 19 VDC
Connector	FAKRA Z TYPE
Power Consumption	69 mA @ 12 VDC
Operating Temp	TBD
Storage Temp	TBD
Weight	TBD
Part#	LI-OX03C10-GMSL2-072H

## APPLICATIONS

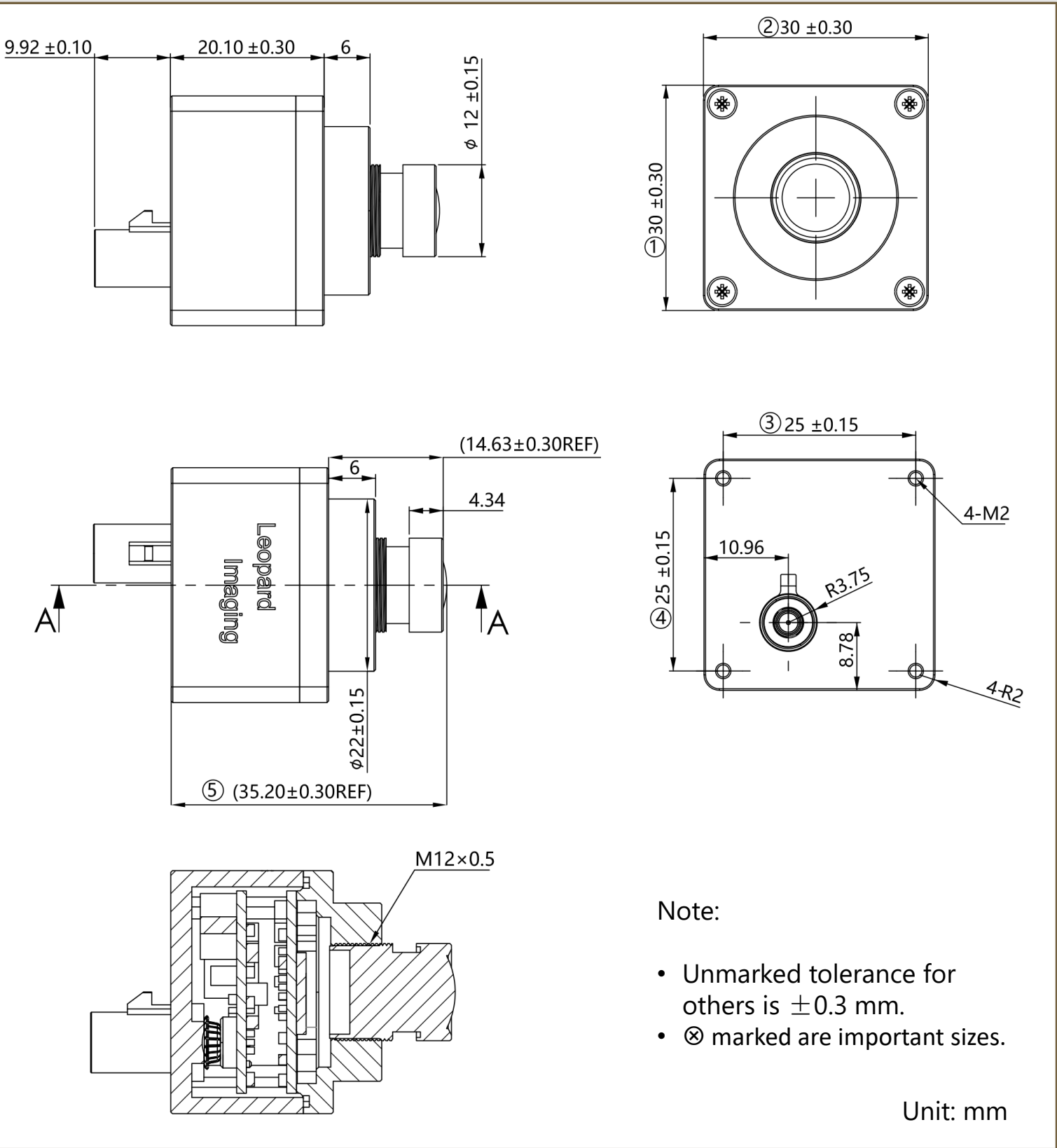
- Automotive
  - ◆ Autonomous Driving
  - ◆ Rear View Camera
  - ◆ Assisted Driving
  - ◆ Digital Video Recording
  - ◆ Machine Vision
  - ◆ E-Mirror

## LENS SPECIFICATIONS

Effective Focal Length	4.487 mm
Aperture, F/#	1.7
FOV (Field of View)	72.5° horizontal
Optical Distortion	-20.05% (f-tan $\theta$ )
Relative Illumination	46.53%
IR Filter	648 nm IR cut filter
Lens Mount	M12 x P0.5



# DIMENSIONS

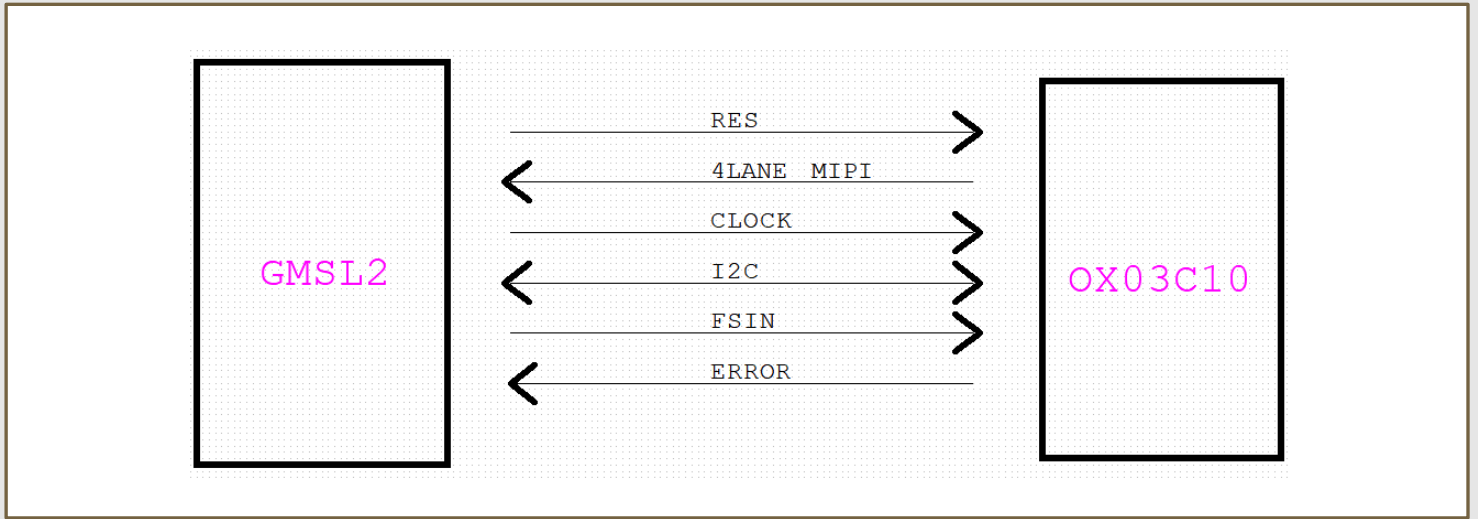


**Note:**

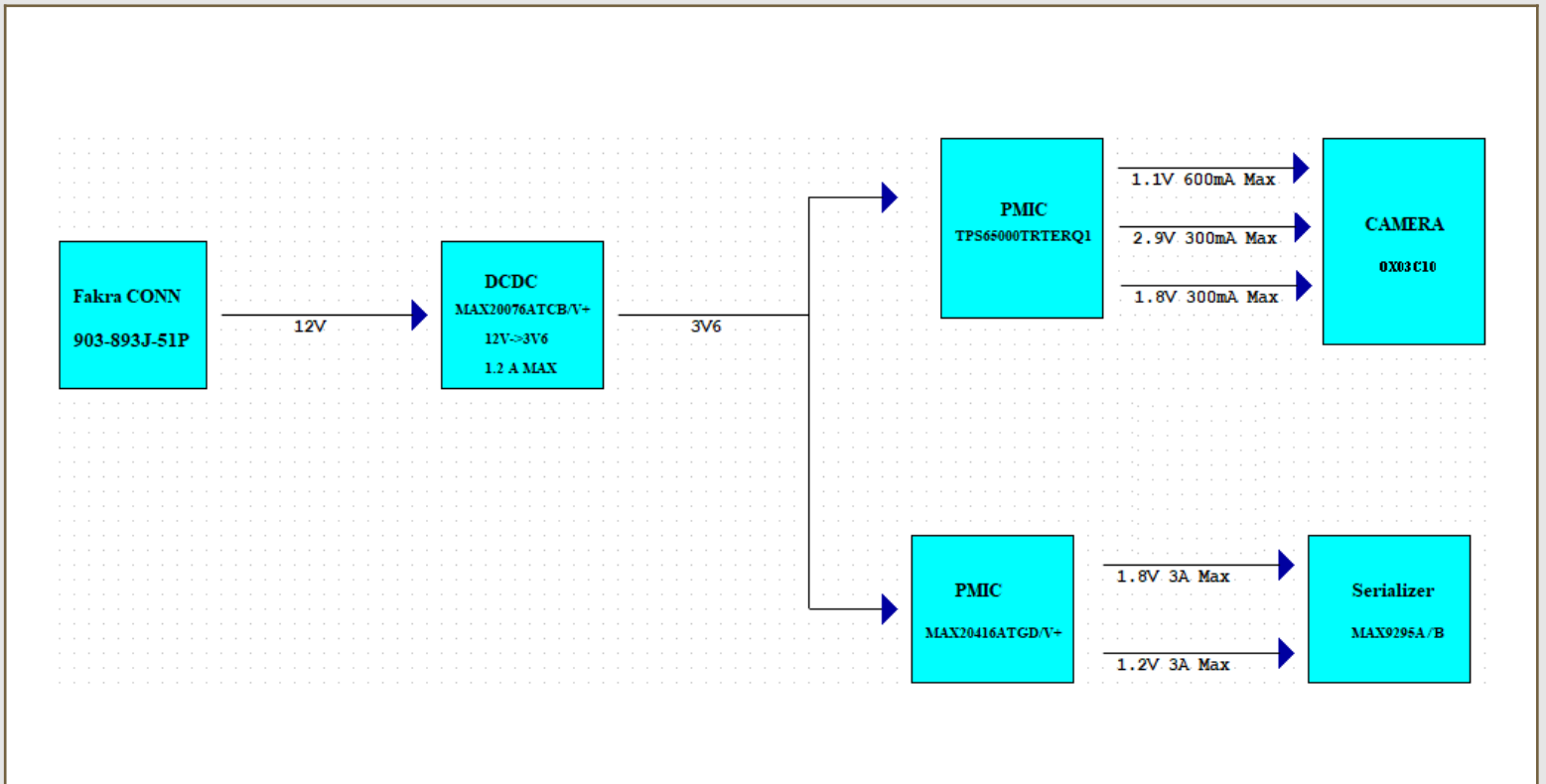
- Unmarked tolerance for others is  $\pm 0.3$  mm.
- \* marked are important sizes.

Unit: mm

## SYSTEM BLOCK DIAGRAM



## POWER BLOCK DIAGRAM



# USB3.0 CAMERA KIT

LI-USB30-DESER-GMSL2



Top View



Bottom View

LI-OX03C10-GMSL2-072H can connect to LI-USB30-DESER-GMSL2 as a USB 3.0 camera.

Part#: **LI-USB30-OX03C10-GMSL2-072H**

## SPECIFICATIONS

- USB 3.0 Super Speed support
- UVC compliance
- Provide customization services
- 12 VDC power supply for camera
- Weight: TBD
- Single Coax Cable transmits up to 12 meters PoC (Power over Cable)
- Resolution: 1920 x 1286 @ 30 fps
- Power consumption: 69 mA @ 12 VDC
- Support Windows, Linux OS and other OS which include the UVC drivers

## BOM

#	Items	QTY
1	LI-OX03C10-GMSL2-072H	1
2	LI-USB30-DESER-GMSL2	1
3	3-Meter Fakra Cable	1
4	12 VDC Power Supply	1
5	USB3.0 Cable	1



12 VDC power supply for camera

## SDK SUPPORTED

- Camera Tool Source Code in C#
- Capture & Display
- Register Access Function

## ● REVISION HISTORY

Revision	Description	Release Date
1.0	First release.	05 Nov 2021

48820 Kato Rd, Suite 100B, Fremont, CA 94538, USA

Phone: +1 (408)263-0988

Fax: +1 (408)217-1960

Email: [sales@leopardimaging.com](mailto:sales@leopardimaging.com)

Website: [www.leopardimaging.com](http://www.leopardimaging.com)

