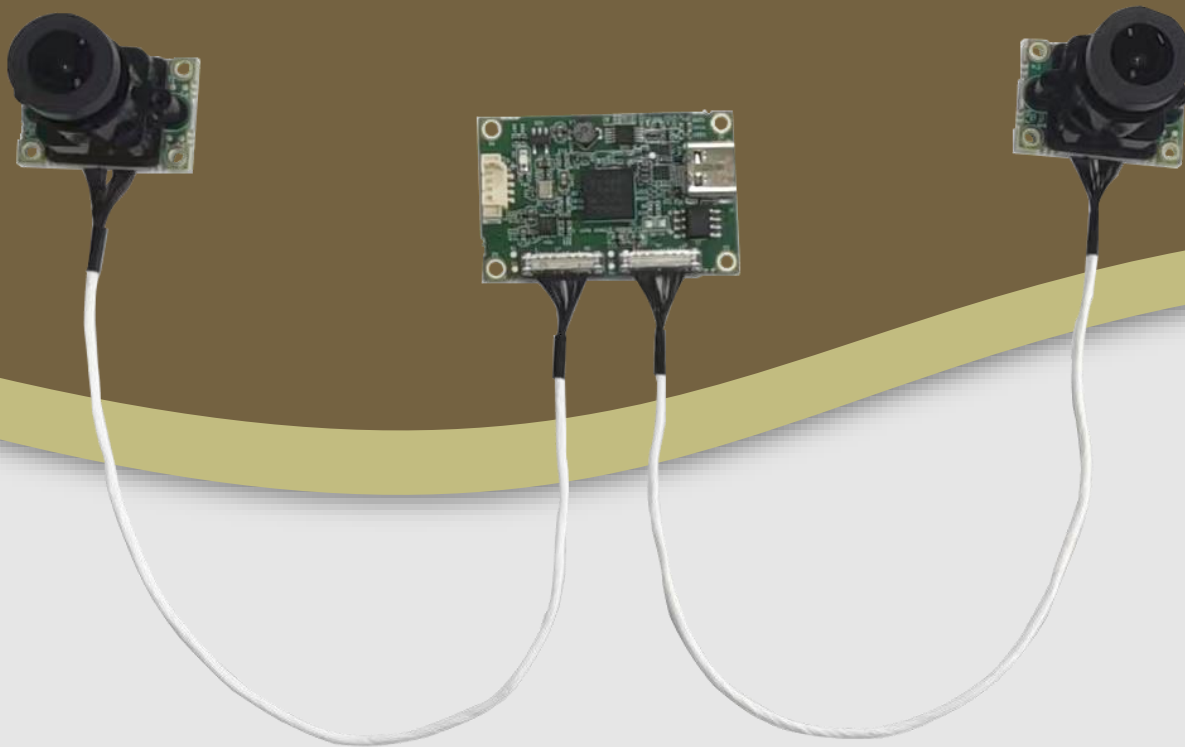




LI-OV580-STEREO



Address:

48820 Kato Road
Suite 100B
Fremont, CA 94538
USA



Phone:

+1 (408)263-0988

Fax:

+1 (408)217-1960



Sales:

sales@leopardimaging.com

Support:

support@leopardimaging.com

TECHNICAL FEATURES

- USB 3.0 Super Speed support
- USB + 5 VDC powered device
- 3 x boards: 1 x OV580 + 2 x OV4689
- I-PEX cable Part#: FAW-1212-TX1
Length: 200 mm
- YUV output without compression
- UVC compliant
- USB 2.0 backwards compatible
- Camera QTY: 2

NOTE: The distance between cameras is adjustable.

- Allows customization
- Sensor: Color CMOS 4M image sensor
- Part#: **LI-OV580-STEREO**

Capture Direction

LENS SPECIFICATIONS

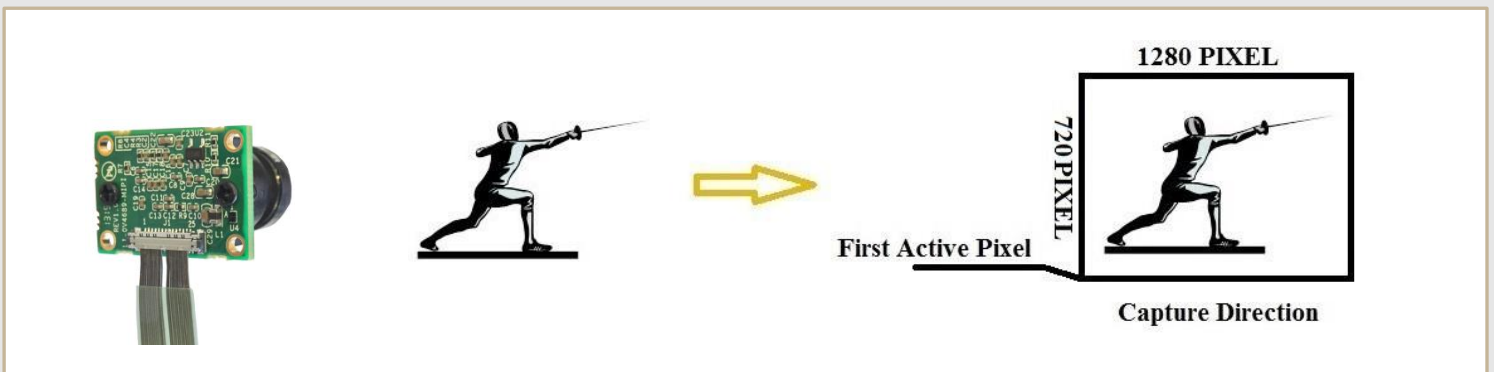
Focal Length	3.10 mm \pm 5%
Aperture, F/#	2.0 \pm 5%
Field of View (FOV)	113.2° diagonal
	98.0° horizontal
	58.0° vertical
TV Distortion	< -10.8%
Relative Illumination	< 82.8%
IR Filter	650 nm IR cut filter
Lens Mount	M12 x P0.5

BOM

#	Items	QTY
1	LI-OV580-STEREO REV1.1	1
2	LI-OV4689-MIPI	2
3	FAW-1212-TX1 cables	2
4	USB 3.0 cable	1

SDK SUPPORTED

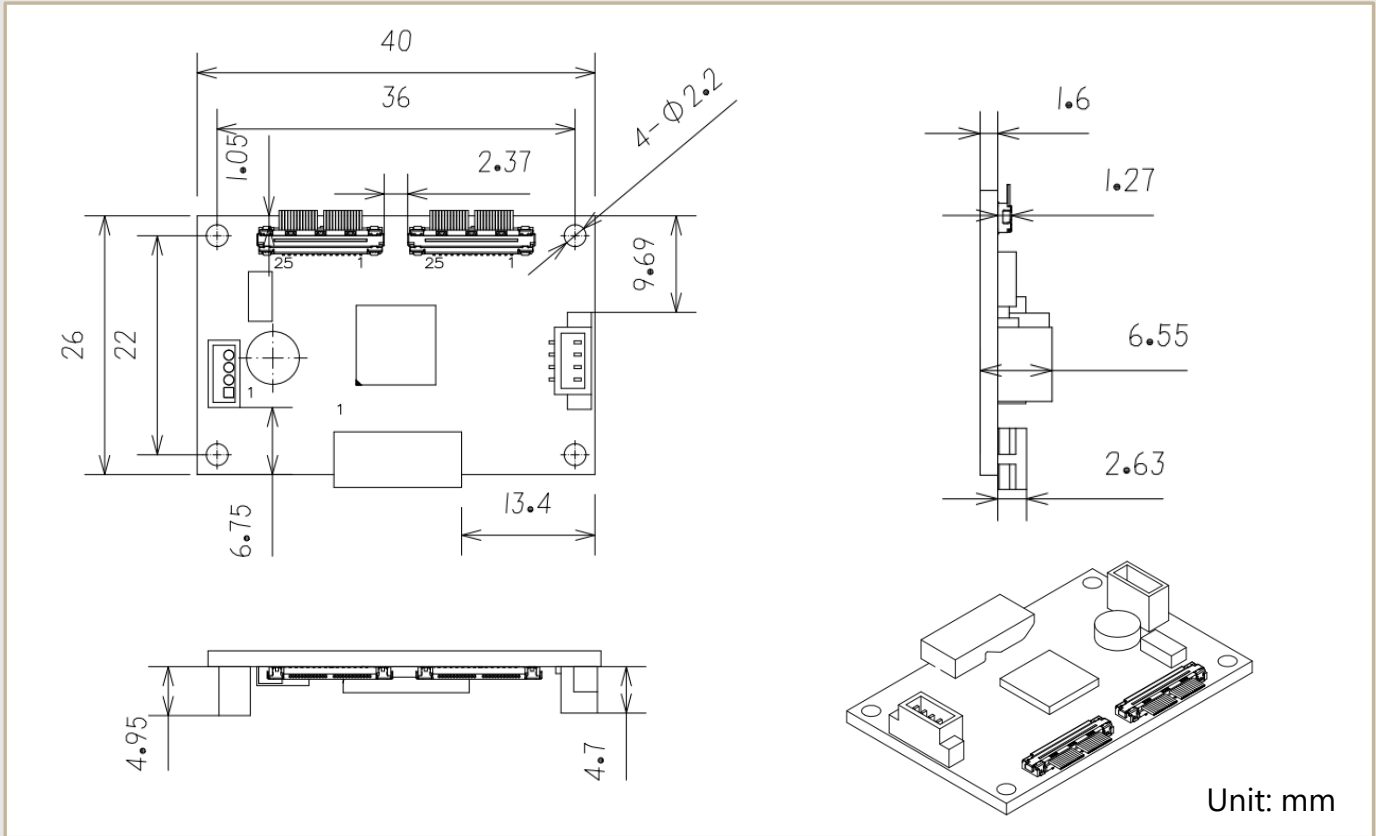
- Camera Tool Source Code in C#
- Capture & Display



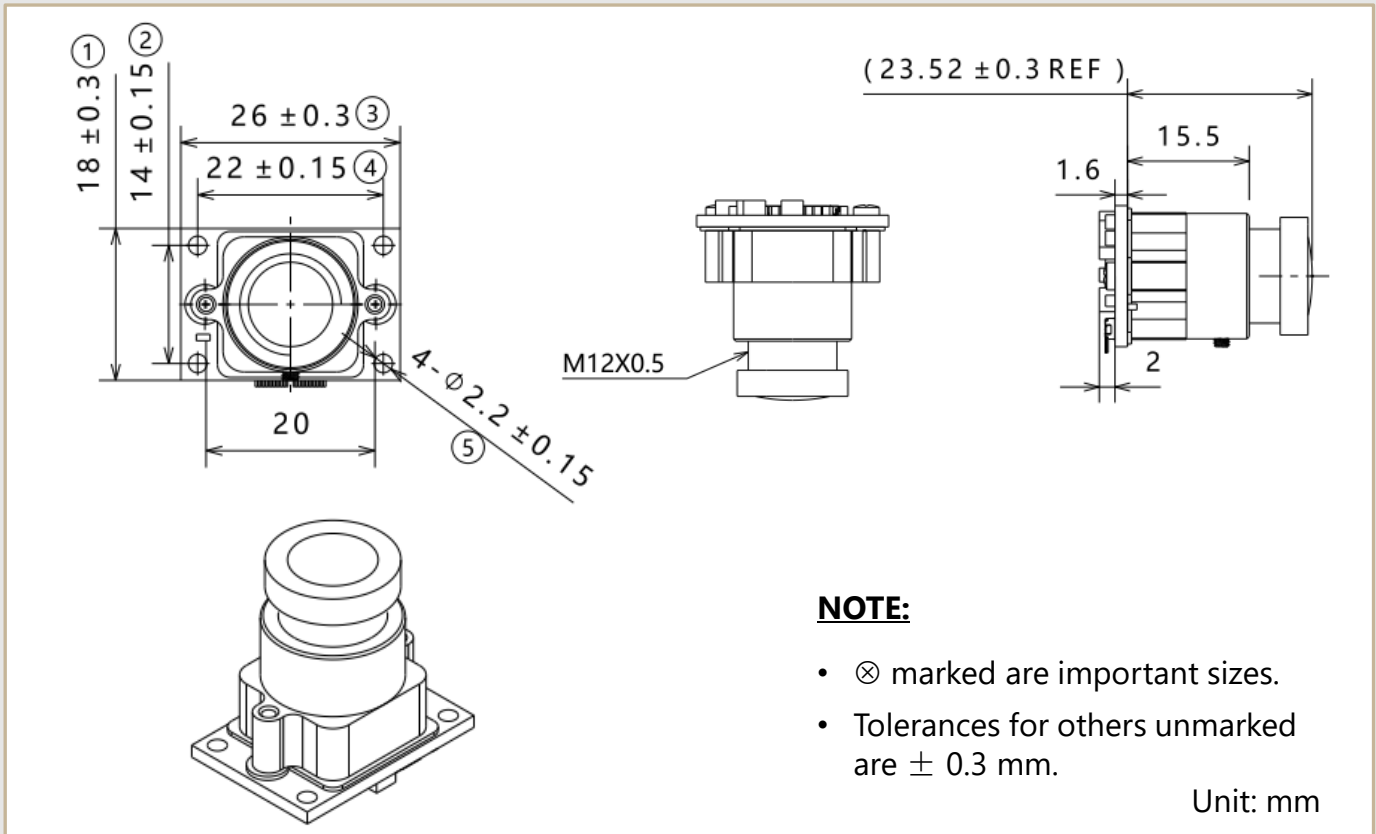
KEY SPECIFICATIONS

General Behavior	
Video Resolution @ Frame Rate	4416 x 1242 (2 x 2208 x 1242) @ 15 fps (Crop mode) 3840 x 1080 (2 x 1920 x 1080) @ 30 fps (Crop mode) 2560 x 720 (2 x 1280 x 720) @ 60 fps (Binning mode) 1344 x 376 (2 x 672 x 376) @ 100 fps (Binning mode)
Sensitivity	1900 mV / Lux-sec
Interface (Optical)	
IR Filter	650 nm IR cut filter
Sensor	OmniVision color CMOS 4M image sensor OV4689
Optical Format	1/3"
Resolution	2688 (H) x 1520 (V) (active pixels)
Pixel Size	2.0 x 2.0 μm
Lens Mount	M12 x P0.5
Interface (Electrical)	
Interface	USB 3.0
Supply Voltage	USB 3.0 + 5 VDC power source
Power Consumption	Approximately 295 mA @ 5 VDC
Interface (Mechanical)	
Sizes	OV580: 40.0 (L) x 26.0 (W) mm OV4689: 26.0 (L) x 18.0 (W) mm
Weight (with Lens and 2 cables)	~ 31 g
Adjustment	
Manual	Brightness, Contrast, Hue, Saturation, Sharpness, White Balance (Default Auto), Gain, Exposure (Default Auto)
Auto	White Balance, Exposure
Environmental	
Operation Temp	0°C ~ +50°C
Storage Temp	-20 °C ~ +80°C

LI-OV580-STEREO DIMENSIONS



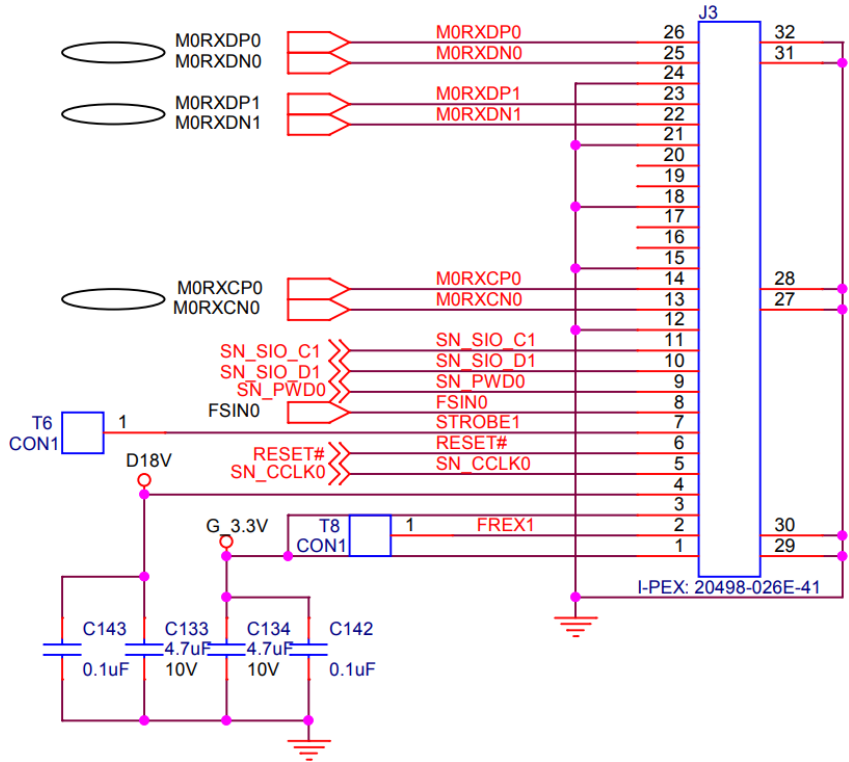
LI-OV4689-MIPI DIMENSIONS



OV580 INTERFACES

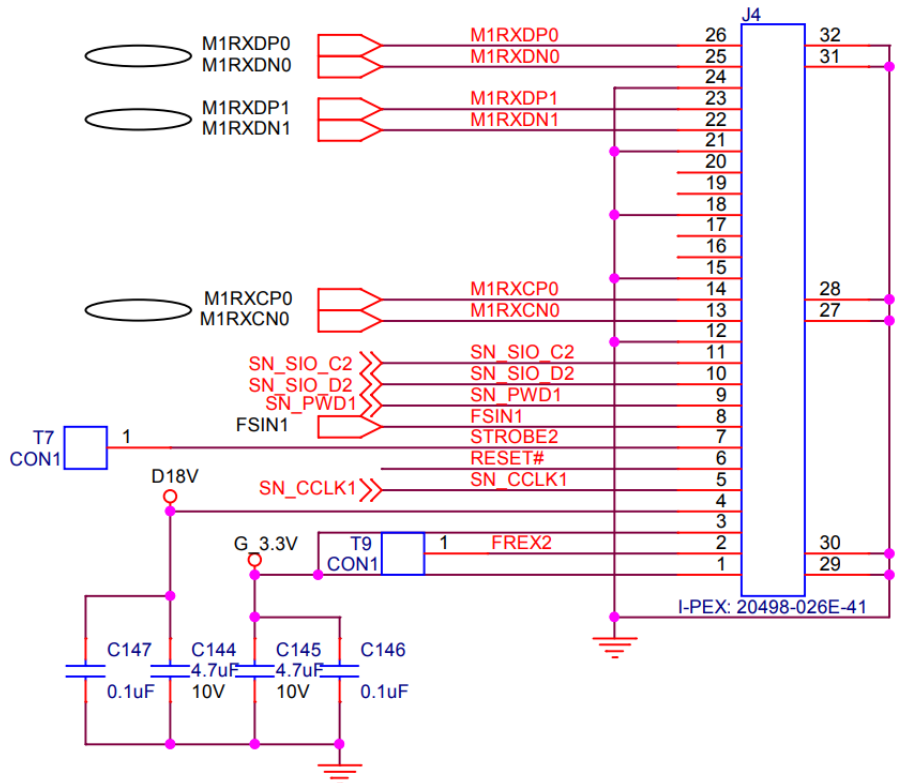
Interface J3

- Part#: 20498-026E-41
- Number of Positions: 26
- Shell Plating: Sn
- Vaccum Clip: With



Interface J4

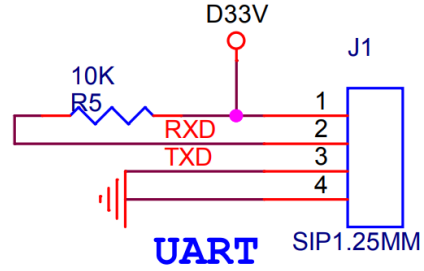
- Part#: 20498-026E-41
- Number of Positions: 26
- Shell Plating: Sn
- Vaccum Clip: With



OV580 INTERFACES

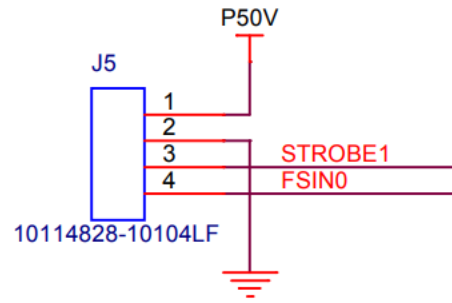
Interface J1

- Number of Positions: 4
- Pitch: 1.25 mm



Interface J5

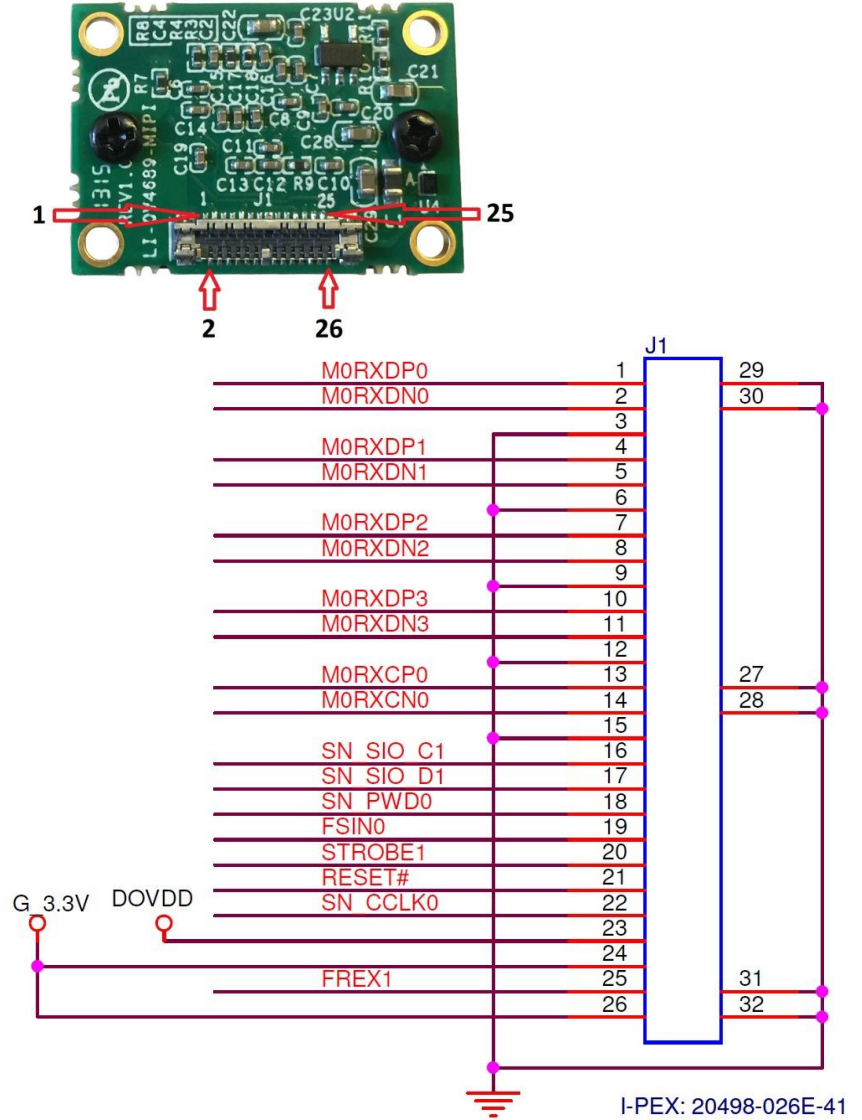
- Part#: 10114828-10104LF
- Number of Positions: 4
- Pitch: 1.25 mm



OV4689 INTERFACE

Interface J1

- Connector Part#: 20498-026E-41
- Number of Positions: 26
- Shell Plating: Sn
- Vacuum Clip: With



● REVISION HISTORY

Revision	Description	Release Date
0.1	Initial draft.	25 Dec 2020
0.2	Replaced lens YC-155N with SC3120B and updated related product images and 2D dimensions.	01 Apr 2022
0.3	Replaced 3D images with actual product pictures and updated weight info.	09 Aug 2022

48820 Kato Rd, Suite 100B, Fremont, CA 94538, USA

Phone: +1-408-263-0988

Fax: +1-408-217-1960

Email: sales@leopardimaging.com

Website: www.leopardimaging.com

