



LEOPARD IMAGING INC

# LI-OV2775-FPDLINKIII-xxxH

## Data Sheet

### Key Features

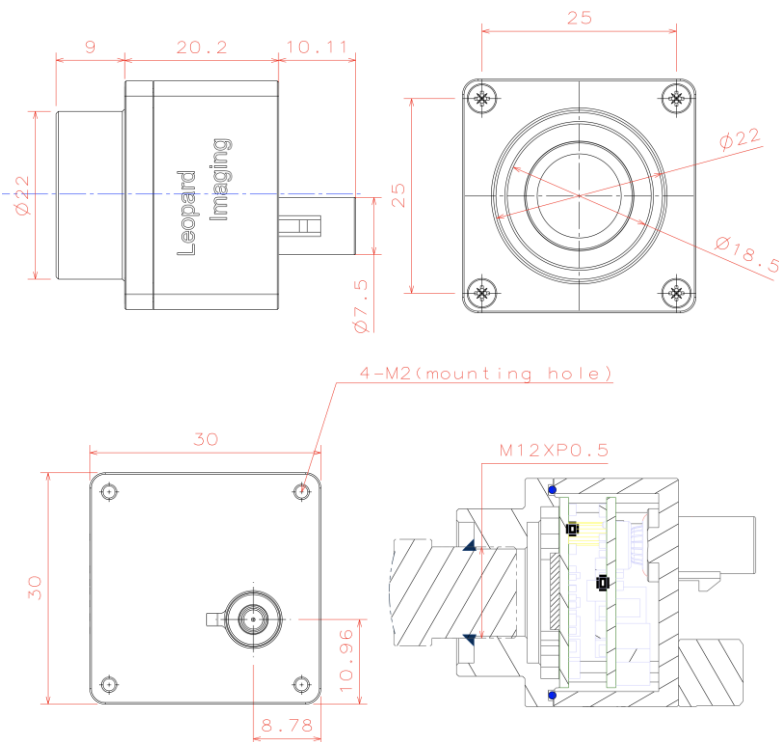
- OmniVision CMOS 2M Image Sensor OV2775
- Optical format: 1/2.9"
- Maximum resolution: 1920H x 1080V
- Pixel size: 2.8 um x 2.8 um
- Output Raw data
- Support 9V ~ 19V Power
- Lens: HFOV 56° /113° /200°
- TI953 FPD-Link III serializer
- Connector: FAKRA Z TYPE
- Water proof: IP67
- Operation Temp: -40 ~ 85 °C
- Storage Temp: -40 ~ 125 °C
- Size: 30 x 30 x 20.2 mm
- Weight: 45g
- Part#: **LI-OV2775-FPDLINKIII-xxxH**



### Application

- Autonomous driving
- Camera monitoring system
- Rear view camera

### Dimensions

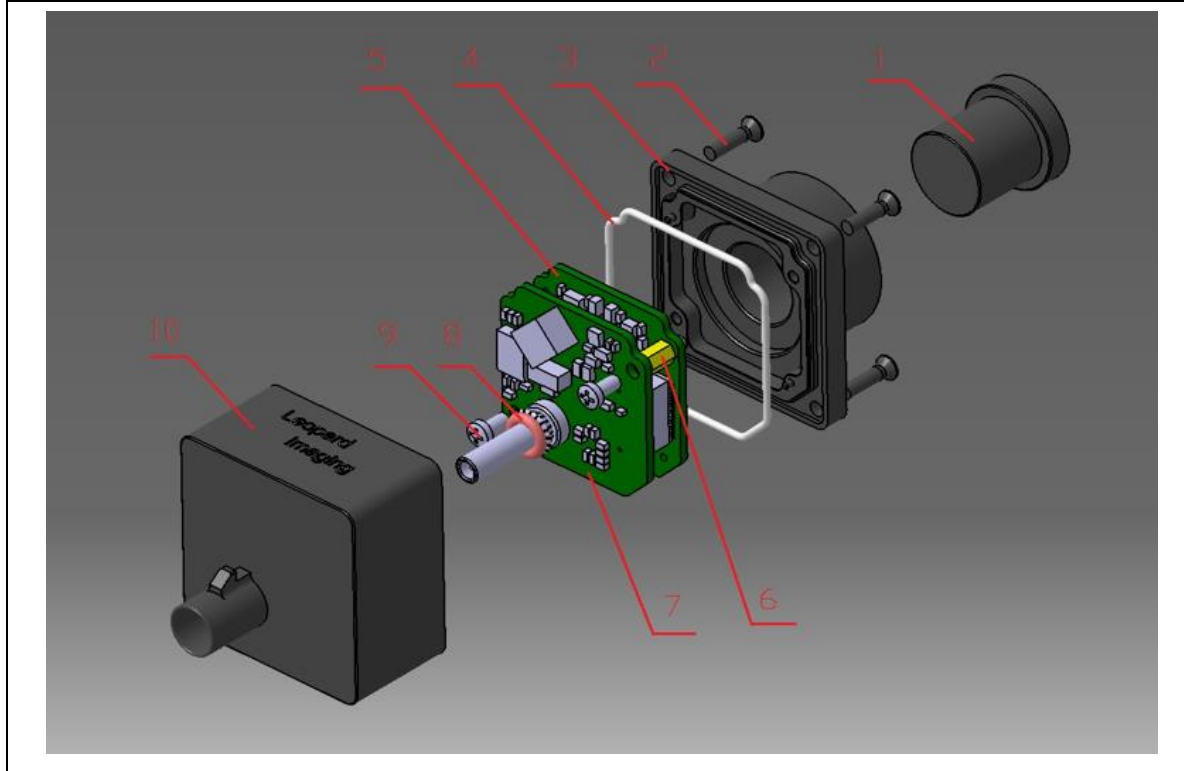


Leopard Imaging Inc.

48820 Kato Rd, Suite 100B, Fremont, CA 94538, USA  
Phone: +1-408-263-0988  
Fax: +1-408-217-1960  
Email: sales@leopardimaging.com  
Website: www.leopardimaging.com

# BOM

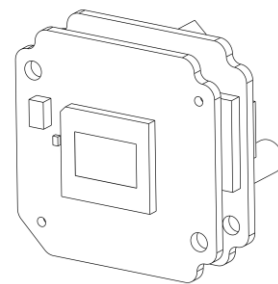
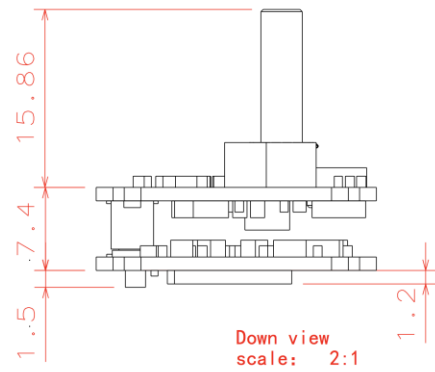
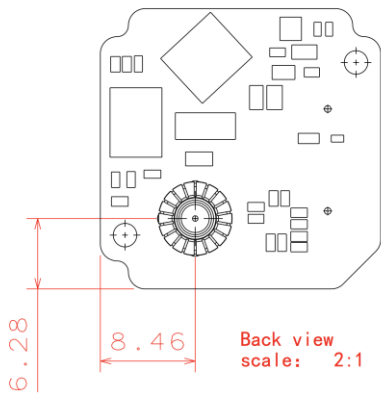
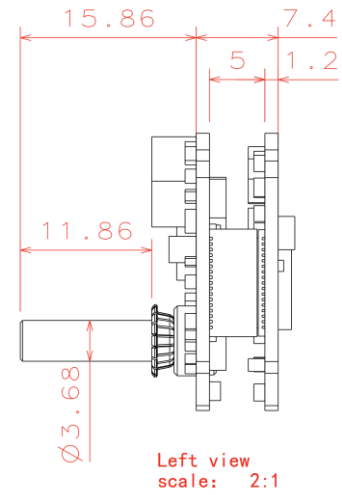
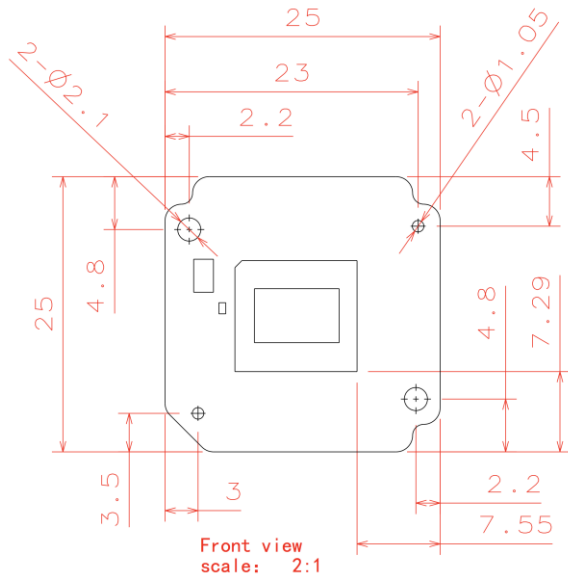
#	Name	SPEC	QTY/SET
1	Lens	M127B0618W M128B02820WM12R1 F132B0108WM12	1
2	Screw	M2*8 cross flat head black ZINC	4
3	Shell 2	AL6061-T6 BLACK Anodizing	1
4	Sealing ring	Silicon rubber, White	1
5	LI-OV2775-MIPI-FKR	OV2775 sensor board	1
6	Copper pillar	M2*5+3	2
7	LI-TI953-FKR	FPD-Link III serializer board	1
8	O ring	6.5*1.5 Silicon rubber Red	1
9	Screw	M2*4 cross pan head black ZINC	2
10	Shell 1	AL6061-T6 BLACK Anodizing	1



Leopard Imaging Inc.

48820 Kato Rd, Suite 100B, Fremont, CA 94538, USA  
 Phone: +1-408-263-0988  
 Fax: +1-408-217-1960  
 Email: sales@leopardimaging.com  
 Website: www.leopardimaging.com

# Camera boards Dimensions

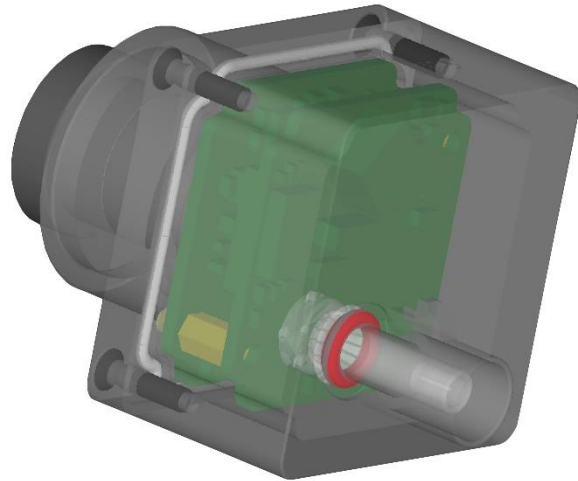


Leopard Imaging Inc.

48820 Kato Rd, Suite 100B, Fremont, CA 94538, USA  
 Phone: +1-408-263-0988  
 Fax: +1-408-217-1960  
 Email: sales@leopardimaging.com  
 Website: www.leopardimaging.com

## Water Proof

- Metal Housing
- Water-proof M12 lens
- Sealed Gasket (White)
- Sealed O-ring (Red)



## Cable Connector

- Housing Connector- FAKRA Z Type
- Cable length: 3 meters  
Support single Coax Cable transmit up to 12 meters
- Cable Part#: FAK-SMZSMZ-0008
- FAKRA type connectors



Leopard Imaging Inc.




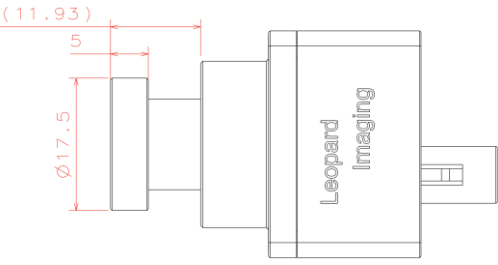
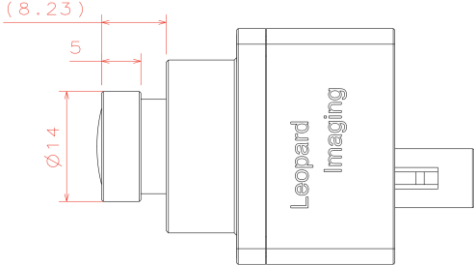
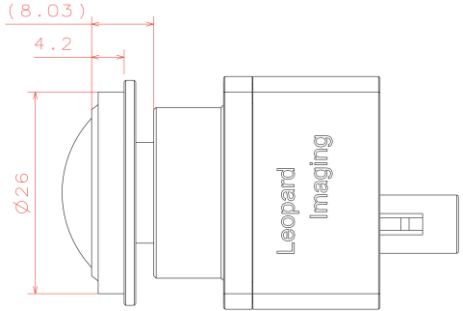
48820 Kato Rd, Suite 100B, Fremont, CA 94538, USA  
Phone: +1-408-263-0988  
Fax: +1-408-217-1960  
Email: sales@leopardimaging.com  
Website: www.leopardimaging.com

## Ordering Information

**Part#: LI-OV2775- FPDLINKIII -xxxH**

Note:

xxxH - 056H: FOV H 56°  
 113H: FOV H 113°  
 200H: FOV H 200°

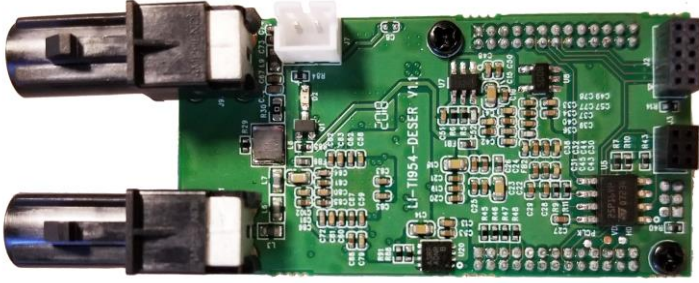
LI-OV2775-FPDLINKIII-056H	LI-OV2775-FPDLINKIII-113H	LI-OV2775-FPDLINKIII-200H
		
<p>Lens: M127B0618W                      Lens EFL: 6.0 mm                      FOV(D): 66°                      FOV(H): 56°                      FOV(V): 31°</p>	<p>Lens: M128B02820WM12R1                      Lens EFL: 2.8 mm                      FOV(D): 130°                      FOV(H): 113°                      FOV(V): 63°</p>	<p>Lens: F132B0108WM12                      Lens EFL: 1.08 mm                      FOV(D): 200°                      FOV(H): 200°                      FOV(V): 170°</p>
		



Leopard Imaging Inc.

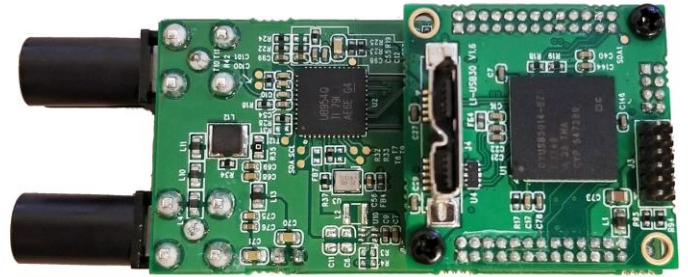
48820 Kato Rd, Suite 100B, Fremont, CA 94538, USA  
 Phone: +1-408-263-0988  
 Fax: +1-408-217-1960  
 Email: sales@leopardimaging.com  
 Website: www.leopardimaging.com

## LI-TI954-DESER



Front View

## LI-USB30-CNTL



Back View

LI-OV2775-FPDLINKIII can connect to USB 3.0 EVA module as a USB 3.0 camera.  
Part#: [LI-USB30-OV2775-FPDLINKIII-xxxH](#)

## Key Features

- USB 3.0 Super Speed support
- RAW data output without compression
- UVC compliance
- Provide customization services
- USB +5VDC powered device
- Weight: 86 g
- Single Coax Cable transmit up to 12 meter PoC(Power over Cable)
- Support 1920x1080@30fps
- Power consumption: TBD
- Support Windows, Linux OS and other OS which include UVC drivers

## SDK Supported

- Camera Tool Source Code in C#
- Capture & Display
- Save file as BMP & RAW format
- Support register access function



## Revision History

Revision	Description	Release Date
1.0	First Release	30. Aug. 2019



Leopard Imaging Inc.

48820 Kato Rd, Suite 100B, Fremont, CA 94538, USA  
Phone: +1-408-263-0988  
Fax: +1-408-217-1960  
Email: [sales@leopardimaging.com](mailto:sales@leopardimaging.com)  
Website: [www.leopardimaging.com](http://www.leopardimaging.com)