



LEOPARD IMAGING INC

# LI-OV2775-495-FPDLINKIII-xxxH Data Sheet

## Key Features

- OmniVision CMOS 2M Image Sensor OV2775
- Optical format: 1/2.9"
- Resolution: 1920H x 1080V
- Pixel size: 2.8 um x 2.8 um
- YUV output without compression
- OmniVision OV495 ISP included
- Support HDR
- Support Trigger mode (Optional)
- Lens: FOV H 56° / 113° / 200°
- TI953 FPD-Link III Serializer
- Connector: FAKRA Z TYPE
- Water proof: IP67
- Operation Temp: -40 ~ 85 °C
- Storage Temp: -40 ~ 125 °C
- Size: 30 x 30 x 37.8 mm
- Weight: 50 g
- Part#:

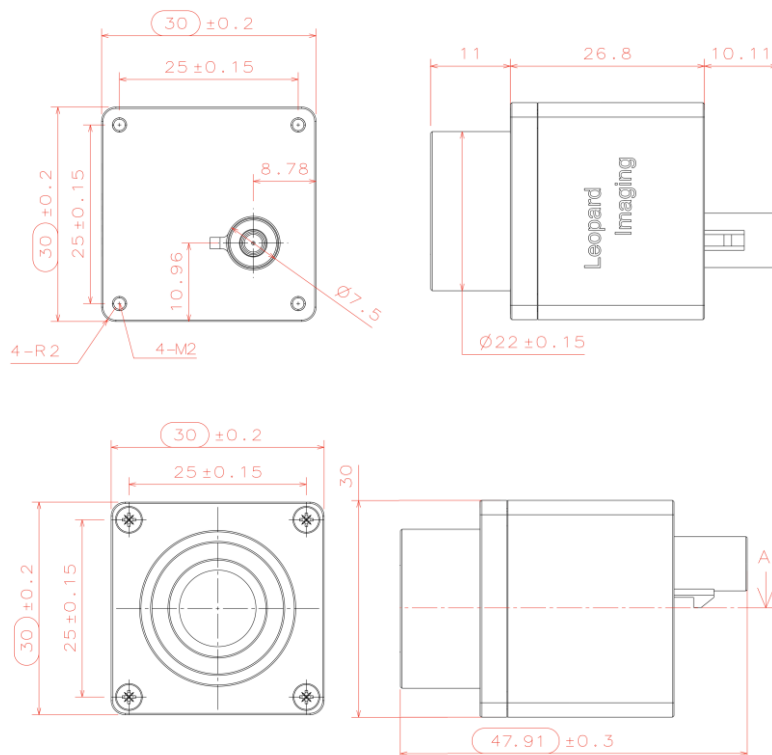
LI-OV2775-495-FPDLINKIII-xxxH



## Application

- Automotive ADAS
- 1080p video applications
- ADAS + Viewing Fusion

## Dimensions



USA Office  
 48820 Kato Rd, Suite 100B, Fremont, CA 95035, USA  
 Phone: +1-408-263-0988  
 Fax: +1-408-217-1960  
 Email: sales@leopardimaging.com  
 Website: www.leopardimaging.com

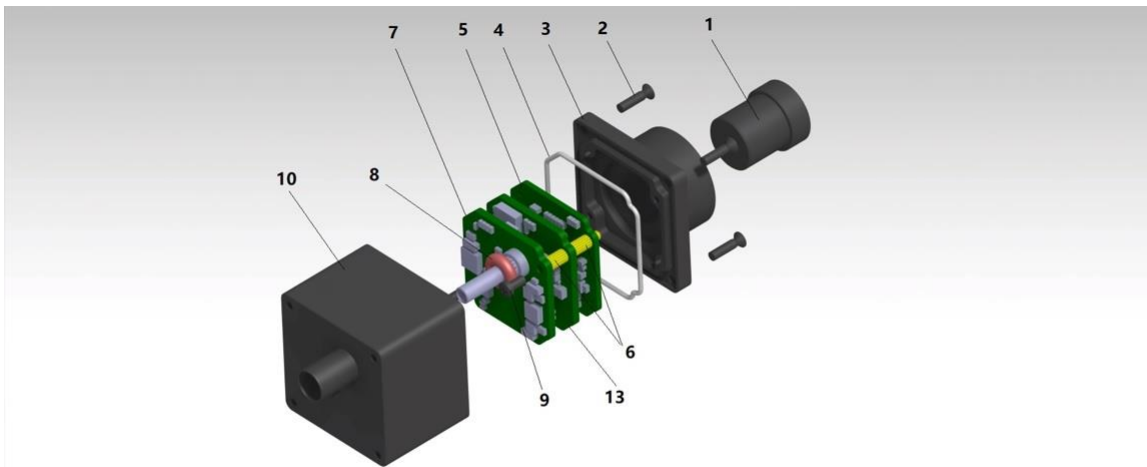
Shanghai Office (China)

上海市闵行区宜山路 1618 号新意城 A 座 9 楼 A910, 201103  
 Phone: + 86-139-1857-8492  
 王斌(Robin Wang)  
 Email: robinw@leopardimaging.com



# BOM

| #  | Name               | SPEC  | QTY/SET |
|----|--------------------|---|---------|
| 1  | M12 Lens           | M127B0618W<br>M128B02820WM12R1<br>F132B0108WM12 | 1       |
| 2  | Screw              | KM2*8 black STAINLESS 304                       | 4       |
| 3  | Shell 2            | AL6061-T6 BLACK Anodizing                       | 1       |
| 4  | Sealing ring       | Silicon rubber, White                           | 1       |
| 5  | LI-OV2775-MIPI-FKR | OV2775 sensor board                             | 1       |
| 6  | Copper pillar      | M2*5+4  | 4       |
| 7  | LI-TI953-FKR       | FPD-Link III serializer board                   | 1       |
| 8  | O ring             | 7*2.4 Silicon rubber Red                        | 1       |
| 9  | Screw              | M2*4 black ZINC                                 | 2       |
| 10 | Shell 1            | AL6061-T6 BLACK Anodizing                       | 1       |
| 13 | LI-OV495-FKR       | OV495 ISP board                                 | 1       |

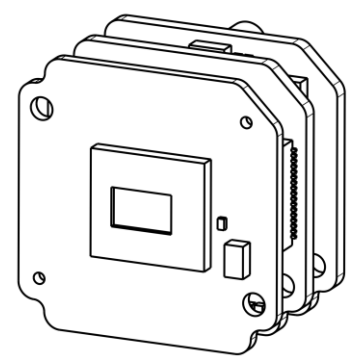
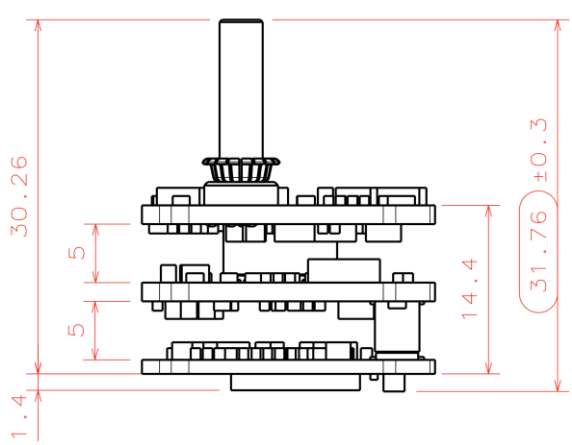
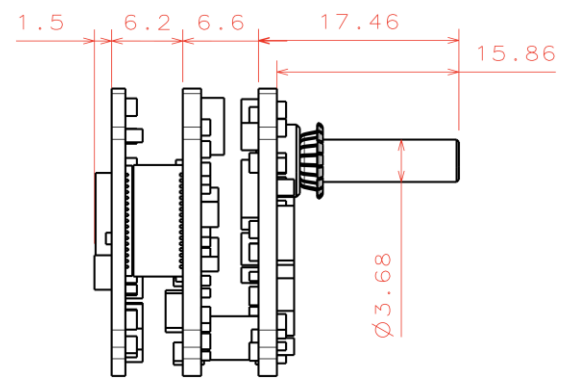
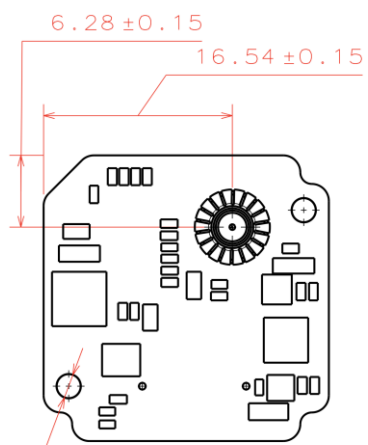
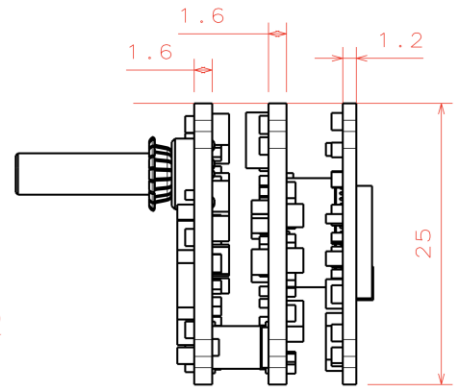
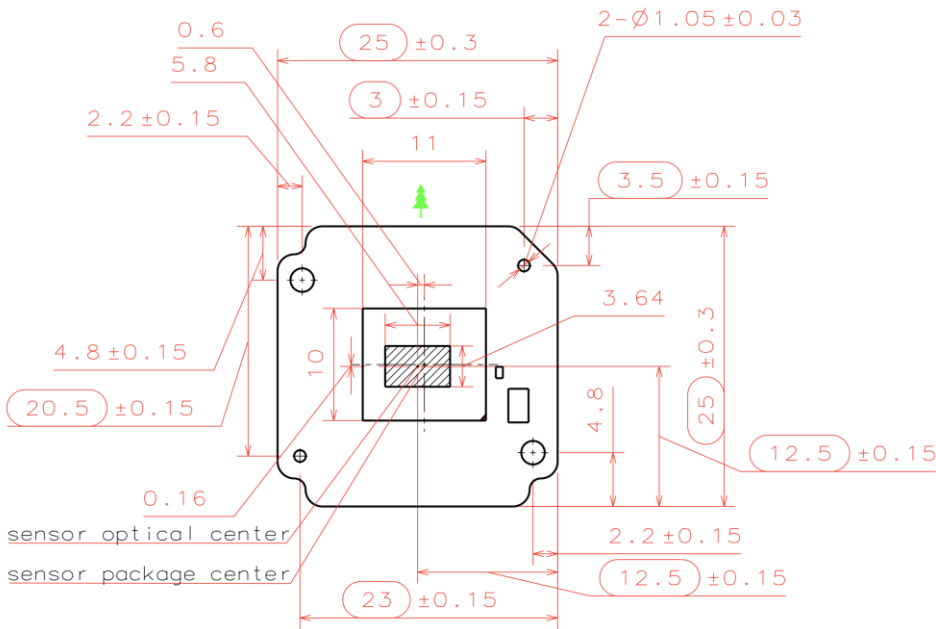


USA Office  
 48820 Kato Rd, Suite 100B, Fremont, CA 95035, USA  
 Phone: +1-408-263-0988  
 Fax: +1-408-217-1960  
 Email: sales@leopardimaging.com  
 Website: www.leopardimaging.com

Shanghai Office (China)

上海市闵行区宜山路 1618 号新意城 A 座 9 楼 A910, 201103  
 Phone: + 86-139-1857-8492  
 王斌(Robin Wang)  
 Email: robinw@leopardimaging.com

# Camera boards Dimensions



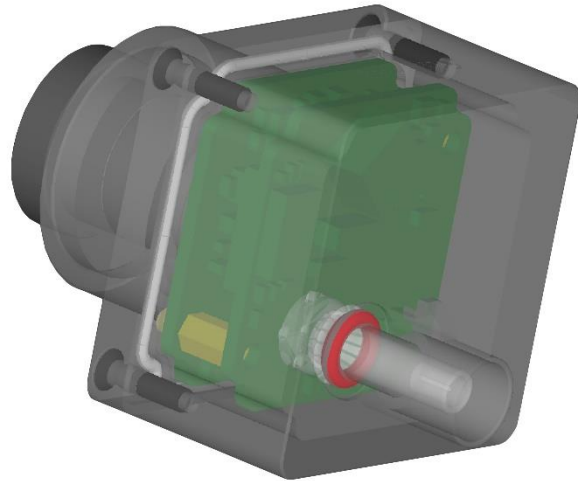
USA Office  
 48820 Kato Rd, Suite 100B, Fremont, CA 95035, USA  
 Phone: +1-408-263-0988  
 Fax: +1-408-217-1960  
 Email: sales@leopardimaging.com  
 Website: www.leopardimaging.com

Shanghai Office (China)  
 上海市闵行区宜山路 1618 号新意城 A 座 9 楼 A910, 201103  
 Phone: + 86-139-1857-8492  
 王斌(Robin Wang)  
 Email: robinw@leopardimaging.com

## Water Proof

- Metal Housing
- Water-proof M12 lens
- Sealed Gasket (White)
- Sealed O-ring (Red)

Note: The lens must be glued on camera for water-proof.



## Cable Connector

- Housing Connector- FAKRA Z Type
- Cable length: 3 meters  
Support single Coax Cable transmit up to 12 meters
- Cable Part#: FAK-SMZSMZ-0008
- FAKRA type connectors



USA Office  
48820 Kato Rd, Suite 100B, Fremont, CA 95035, USA  
Phone: +1-408-263-0988  
Fax: +1-408-217-1960  
Email: sales@leopardimaging.com  
Website: www.leopardimaging.com

Shanghai Office (China)




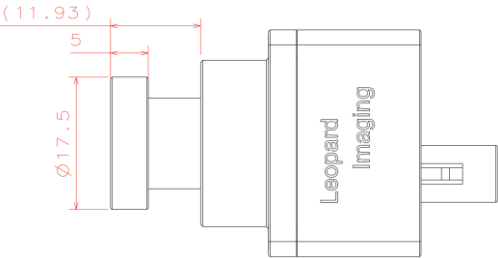
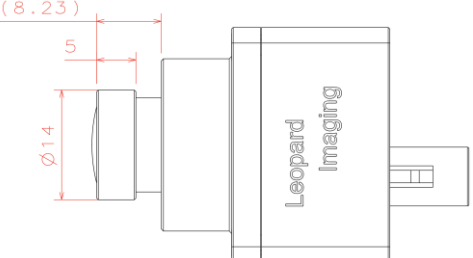
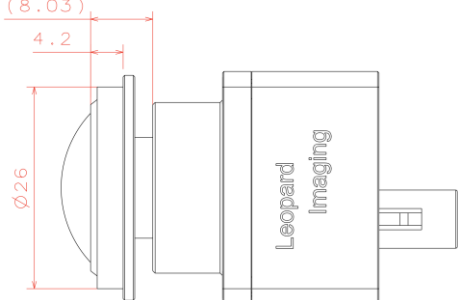
上海市闵行区宜山路 1618 号新意城 A 座 9 楼 A910, 201103  
Phone: + 86-139-1857-8492  
王斌(Robin Wang)  
Email: robinw@leopardimaging.com

## Ordering Information

**Part#: LI-OV2775-495-FPDLINKIII-xxxH**

Note:

xxxH - 056H: FOV H 56°  
 113H: FOV H 113°  
 200H: FOV H 200°

| LI-OV2775-495-FPDLINKIII-056H  | LI-OV2775-495-FPDLINKIII-113H  | LI-OV2775-495-FPDLINKIII-200H   |
|--|--|---|
|    |    |   |
| <p>Lens: M127B0618W<br/>                     Lens EFL: 6.0 mm<br/>                     FOV(D): 66°<br/>                     FOV(H): 56°<br/>                     FOV(V): 31°</p> | <p>Lens: M128B02820WM12R1<br/>                     Lens EFL: 2.8 mm<br/>                     FOV(D): 130°<br/>                     FOV(H): 113°<br/>                     FOV(V): 63°</p> | <p>Lens: F132B0108WM12<br/>                     Lens EFL: 1.08 mm<br/>                     FOV(D): 200°<br/>                     FOV(H): 200°<br/>                     FOV(V): 170°</p> |
|    |    |    |



USA Office  
 48820 Kato Rd, Suite 100B, Fremont, CA 95035, USA  
 Phone: +1-408-263-0988  
 Fax: +1-408-217-1960  
 Email: sales@leopardimaging.com  
 Website: www.leopardimaging.com

Shanghai Office (China)

上海市闵行区宜山路 1618 号新意城 A 座 9 楼 A910, 201103  
 Phone: + 86-139-1857-8492  
 王斌(Robin Wang)  
 Email: robinw@leopardimaging.com

## LI-USB30-DESER-FPDLINKIII



LI-OV2775-495-FPDLINKIII can connect to LI-USB30-DESER-FPDLINKIII as a USB 3.0 camera. Part#: [LI-USB30-OV2775-495-FPDLINKIII-xxxH](#)

### Key Features

- USB 3.0 Super Speed support
- YUV output without compression
- Support HDR
- Support Trigger mode (Optional)
- UVC compliance
- Provide customization services
- 12VDC Power Supply (Comes with camera)
- Weight: 178 g
- Single Coax Cable transmit up to 12 meter PoC(Power over Cable)
- Support 1920x1080@30fps
- Power consumption: < 175mA @ 12VDC
- Support Windows, Linux OS and other OS which include UVC drivers

### SDK Supported

- Camera Tool Source Code in C#
- Capture & Display



USA Office  
48820 Kato Rd, Suite 100B, Fremont, CA 95035, USA  
Phone: +1-408-263-0988  
Fax: +1-408-217-1960  
Email: [sales@leopardimaging.com](mailto:sales@leopardimaging.com)  
Website: [www.leopardimaging.com](http://www.leopardimaging.com)

Shanghai Office (China)

上海市闵行区宜山路 1618 号新意城 A 座 9 楼 A910, 201103  
Phone: + 86-139-1857-8492  
王斌(Robin Wang)  
Email: [robinw@leopardimaging.com](mailto:robinw@leopardimaging.com)

## Revision History

| Revision | Description   | Release Date  |
|----------|---------------|---------------|
| 1.0      | First Release | 30. Sep. 2019 |



USA Office  
48820 Kato Rd, Suite 100B, Fremont, CA 95035, USA  
Phone: +1-408-263-0988  
Fax: +1-408-217-1960  
Email: [sales@leopardimaging.com](mailto:sales@leopardimaging.com)  
Website: [www.leopardimaging.com](http://www.leopardimaging.com)

Shanghai Office (China)

上海市闵行区宜山路 1618 号新意城 A 座 9 楼 A910, 201103  
Phone: + 86-139-1857-8492  
王斌(Robin Wang)  
Email: [robinw@leopardimaging.com](mailto:robinw@leopardimaging.com)