



LEOPARD IMAGING INC

LI-OV10650-GMSL2-xxxH

Data Sheet

Key Features

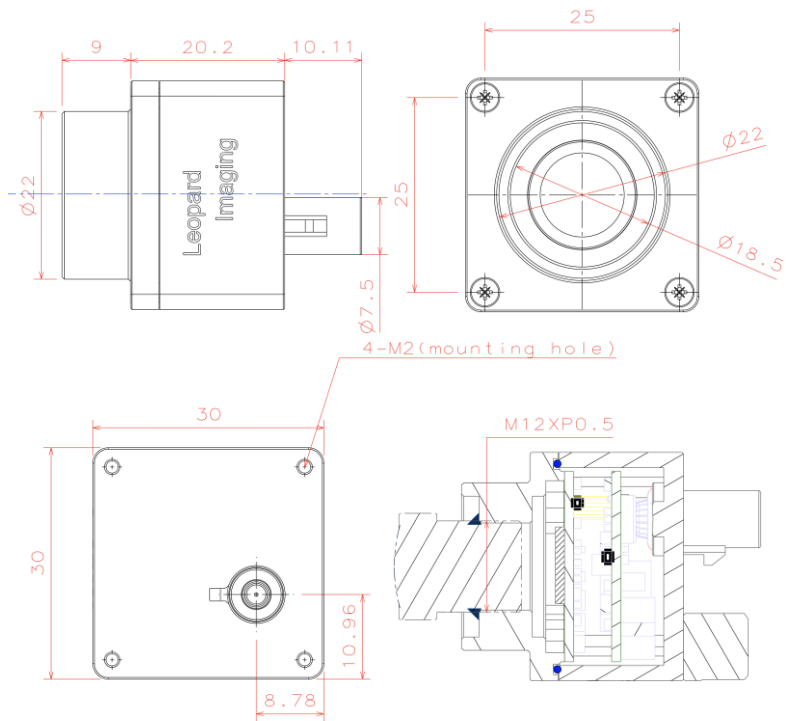
- OmniVision CMOS 1.7M Image Sensor OV10650
- Optical format: 1/2.09"
- Number of active pixels: 1824H x 940V
- Pixel size: 4.2 μm x 4.2 μm
- Output 12 bit Raw data
- 27MHz clock input
- Support 12V Power
- Lens: FOV H 60 / 120
- GMSL2 Serializer
- Support Nvidia Drive PX2 (TBD)
- Connector: FAKRA Z TYPE
- Water proof: IP67
- Operation Temp: -40 ~ 85 °C
- Storage Temp: -40 ~ 105 °C
- Size: 30 x 30 x 20.2 mm
- Weight: 45 g
- Part#: **LI-OV10650-GMSL2-xxxH**



Application

- Autonomous driving
- Camera monitoring system
- Rear view camera

Dimensions

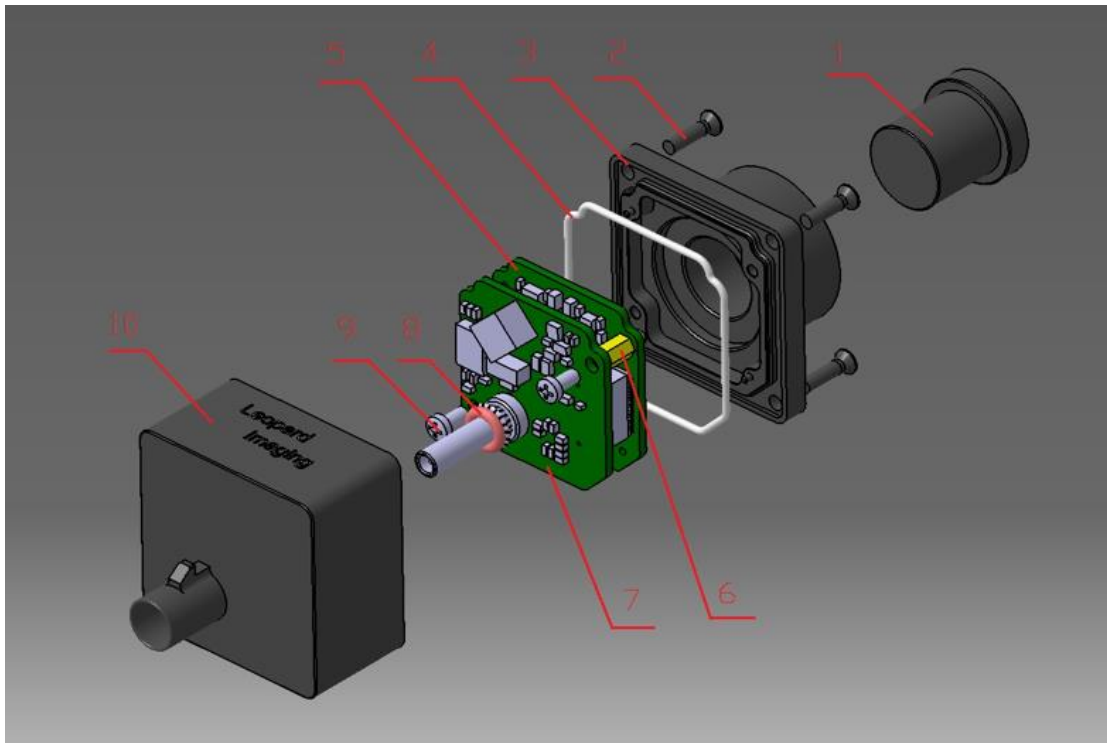


Leopard Imaging Inc.

48820 Kato Road, Suite 100B, Fremont, CA 94538, USA
Phone: +1-408-263-0988
Fax: +1-408-217-1960
Email: sales@leopardimaging.com
Website: www.leopardimaging.com

BOM

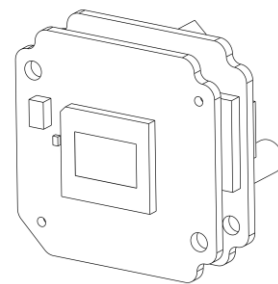
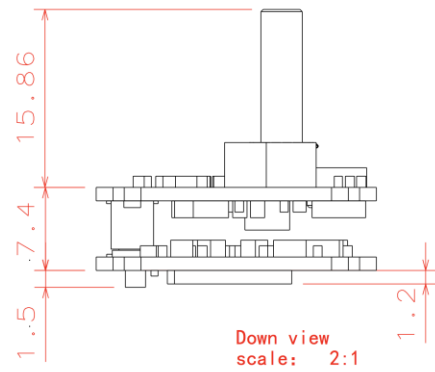
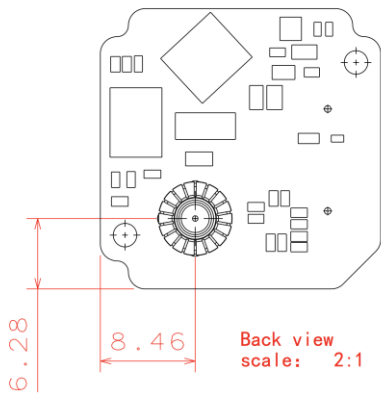
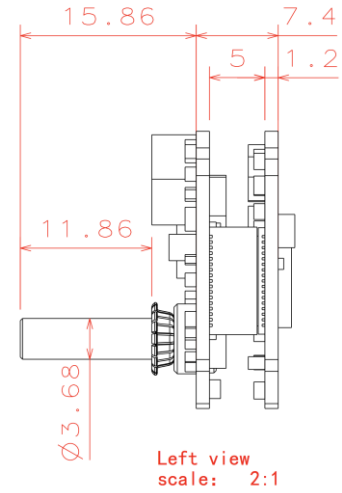
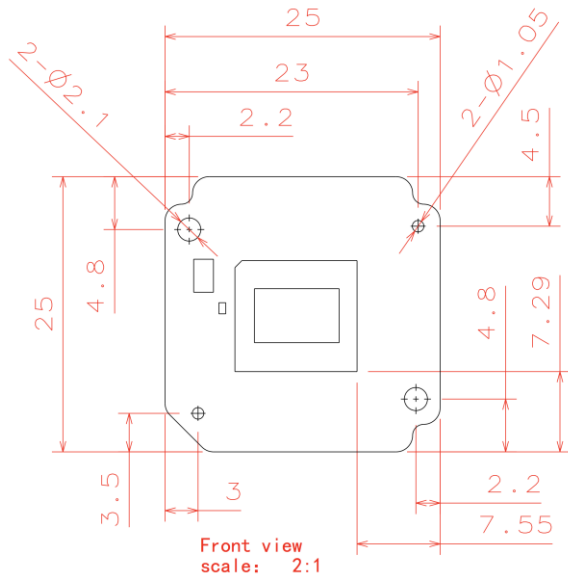
#	Name	SPEC	QTY/SET
1	Lens	M127B0818W LC001	1
2	Screw	M2*8 cross flat head black ZINC	4
3	Shell 2	AL6061-T6 BLACK Anodizing	1
4	Sealing ring	Silicon rubber, White	1
5	LI-OV10650-MIPI	OV10650 sensor board	1
6	Copper pillar	M2*5+3	2
7	LI-GMSL2-FKR	GMSL2 board	1
8	O ring	6.5*1.5 Silicon rubber Red	1
9	Screw	M2*4 cross pan head black ZINC	2
10	Shell 1	AL6061-T6 BLACK Anodizing	1



Leopard Imaging Inc.

48820 Kato Road, Suite 100B, Fremont, CA 94538, USA
 Phone: +1-408-263-0988
 Fax: +1-408-217-1960
 Email: sales@leopardimaging.com
 Website: www.leopardimaging.com

Camera boards Dimensions



Leopard Imaging Inc.

48820 Kato Road, Suite 100B, Fremont, CA 94538, USA
 Phone: +1-408-263-0988
 Fax: +1-408-217-1960
 Email: sales@leopardimaging.com
 Website: www.leopardimaging.com

Water Proof

- Metal Housing
- Water-proof M12 lens
- Sealed Gasket (White)
- Sealed O-ring (Red)

Note: The lens must be water-proof and glued on camera.



Cable Connector

- Housing Connector- FAKRA Z Type
- Cable length: 3 meters
Support single Coax Cable transmit up to 12 meters
- Cable Part#: FAK-SMZSMZ-3M
- FAKRA type connectors



Leopard Imaging Inc.

48820 Kato Road, Suite 100B, Fremont, CA 94538, USA
Phone: +1-408-263-0988
Fax: +1-408-217-1960
Email: sales@leopardimaging.com
Website: www.leopardimaging.com

Ordering Information

Part#: LI-OV10650-GMSL2-xxxH

Note:

xxxH - 060H: FOV H 60°
120H: FOV H 120°

LI-OV10650-495-GMSL2-060H	LI-OV10650-495-GMSL2-120H
	
<p>Lens: M127B0818W Lens EFL: 8.0 mm F#: 1.8 FOV(D): 70° FOV(H): 59.5° FOV(V): 29° Water-proof: No</p>	<p>Lens: LC001 Lens EFL: 3.98 mm F#: 2.3 FOV(D): 133° FOV(H): 116° FOV(V): 58.5° Water-proof: No</p>
	



Leopard Imaging Inc.

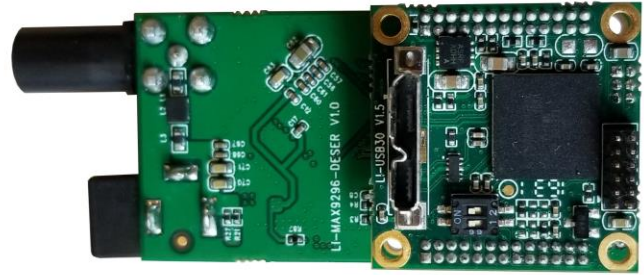
48820 Kato Road, Suite 100B, Fremont, CA 94538, USA
 Phone: +1-408-263-0988
 Fax: +1-408-217-1960
 Email: sales@leopardimaging.com
 Website: www.leopardimaging.com

LI-GMSL2-DESER



Front View

LI-USB30-CNTL



Back View

LI-OV10650-GMSL2-xxxH can connect to USB 3.0 EVA module as a USB 3.0 camera.
Part#: **LI-USB30-OV10650-GMSL2-xxxH**

Key Features

- USB 3.0 Super Speed support
- RAW data output without compression
- UVC compliance
- Provide customization services
- 12VDC Power Supply
- Weight: 86 g
- Single Coax Cable transmit up to 15 meter PoC(Power over Cable)
- Support 1824x940@30fps
- Power consumption: TBD

SDK Supported

- Camera Tool Source Code in C#
- Capture & Display
- Save file as BMP & RAW format



Revision History

Revision	Description	Release Date
1.0	First Release	12. Jan. 2018
1.1	Change the lens to M127B0818W and LC001	26. Dec. 2019



Leopard Imaging Inc.

48820 Kato Road, Suite 100B, Fremont, CA 94538, USA
Phone: +1-408-263-0988
Fax: +1-408-217-1960
Email: sales@leopardimaging.com
Website: www.leopardimaging.com