



LEOPARD IMAGING INC

LI-OV10635-GMSL

Data Sheet

Key Features

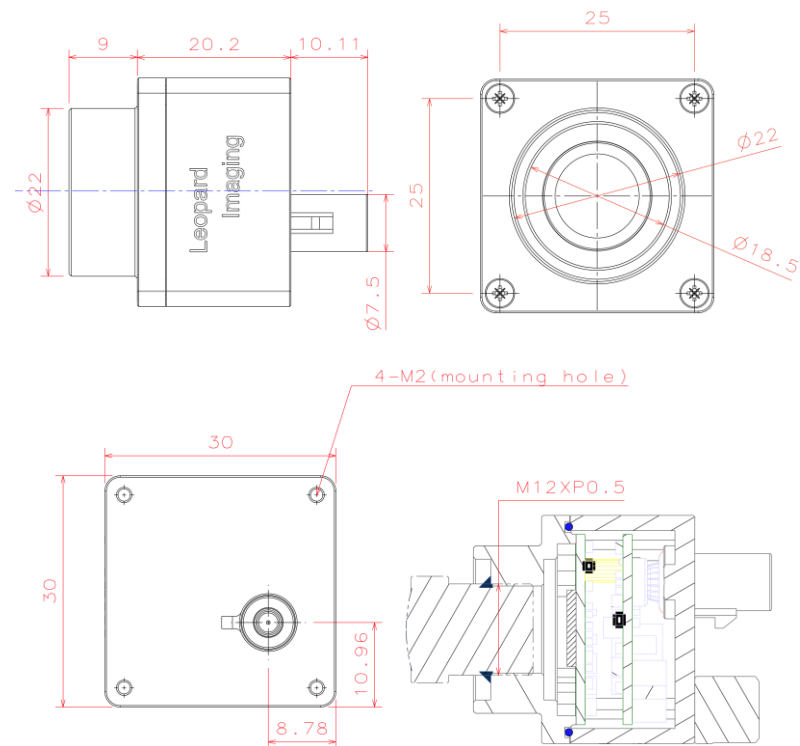
- OmniVision CMOS HDR Sensor OV10635
- Optical format: 1/2.7"
- Active pixels: 1280H x 800V
- Pixel size: 4.2 um x 4.2 um
- Tuned YUV data Coax Serial real time streaming
- Support WDR(Wide Dynamic Range)
- Support 4V ~ 7V Power
- MAX96705 Serializer
- Connector: FAKRA Z TYPE
- Operation Temp: -40 ~ 85 °C
- Storage Temp: -40 ~ 105 °C
- Weight: 45 g
- Part#:
LI-OV10635-GMSL-057H
LI-OV10635-GMSL-112H



Application

- Automotive camera
- Camera monitoring system
- Surround view system

Dimensions

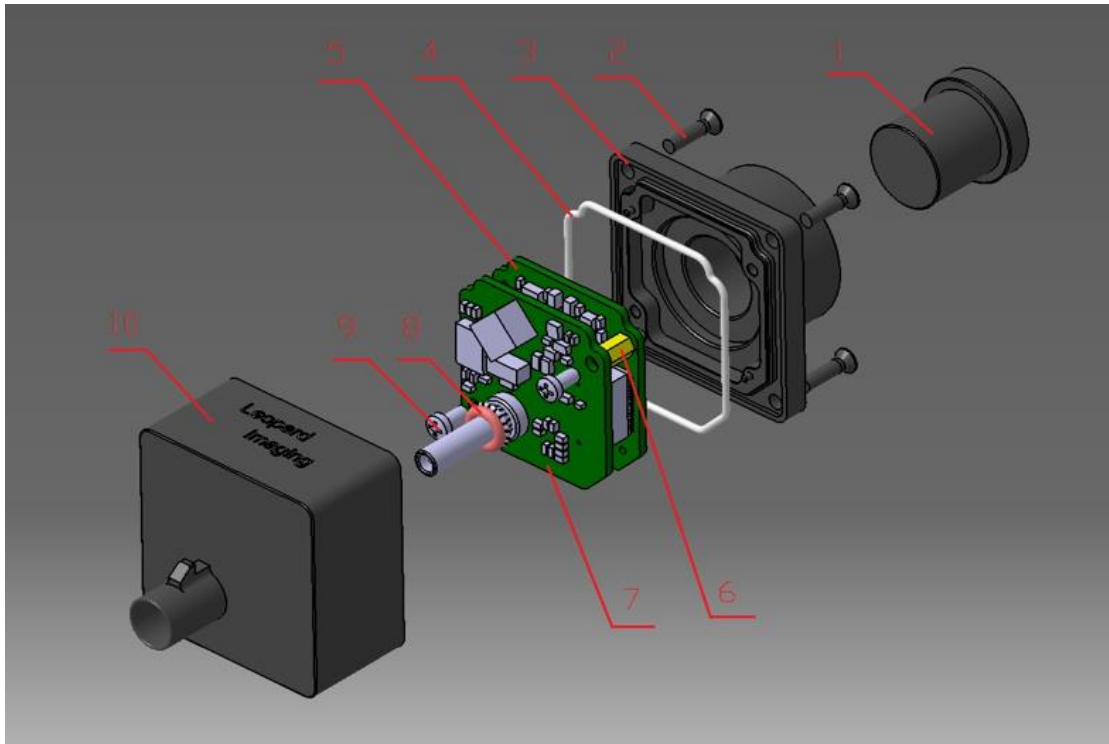


Leopard Imaging Inc.

1130 Cadillac Ct., Milpitas, CA 95035, USA
Phone: +1-408-263-0988
Fax: +1-408-217-1960
Email: sales@leopardimaging.com
Website: www.leopardimaging.com

BOM

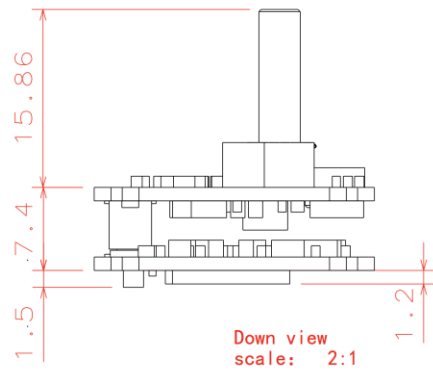
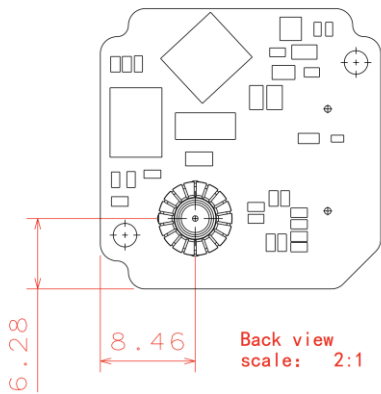
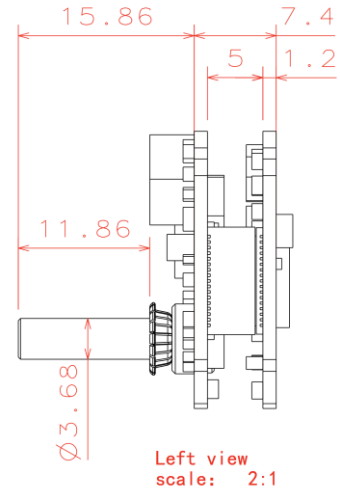
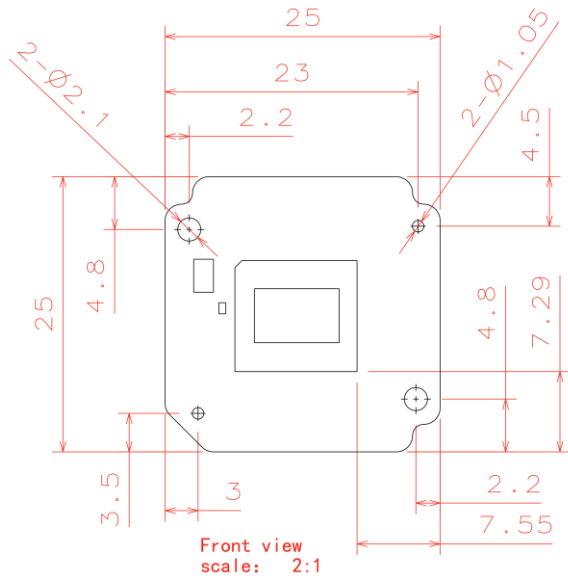
#	Name	SPEC	QTY/SET
1	Lens	M12 lens	1
2	Screw	M2*8 cross flat head black ZINC	4
3	Shell 2	AL6061-T6 BLACK Anodizing	1
4	Sealing ring	Silicon rubber, White	1
5	LI-OV10635-PAR-FKR	OV10635 sensor board	1
6	Copper pillar	M2*5+3	2
7	LI-GMSL-FKR	GMSL board	1
8	O ring	6.5*1.5 Silicon rubber Red	1
9	Screw	M2*4 cross pan head black ZINC	2
10	Shell 1	AL6061-T6 BLACK Anodizing	1



Leopard Imaging Inc.

1130 Cadillac Ct., Milpitas, CA 95035, USA
 Phone: +1-408-263-0988
 Fax: +1-408-217-1960
 Email: sales@leopardimaging.com
 Website: www.leopardimaging.com

Camera boards Dimensions



Leopard Imaging Inc.

1130 Cadillac Ct., Milpitas, CA 95035, USA
 Phone: +1-408-263-0988
 Fax: +1-408-217-1960
 Email: sales@leopardimaging.com
 Website: www.leopardimaging.com

Cable Connector

- Housing Connector- FAKRA Z Type
- Cable length: 3 meters
Support single Coax Cable transmit up to 15 meters
- Cable Part#: FAK-SMZSMZ-0008
- FAKRA type connectors



Leopard Imaging Inc.



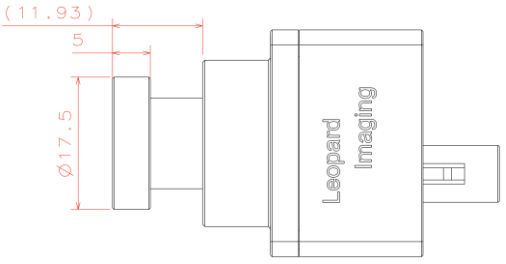
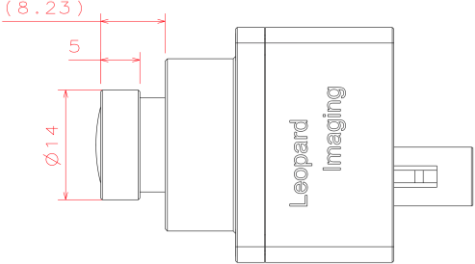
1130 Cadillac Ct., Milpitas, CA 95035, USA
Phone: +1-408-263-0988
Fax: +1-408-217-1960
Email: sales@leopardimaging.com
Website: www.leopardimaging.com

Ordering Information

Part#: LI-OV10635-GMSL-xxxH

Note:

xxxH - 057H: FOV H 57°
 112H: FOV H 112°

LI-OV10635-GMSL-057H	LI-OV10635-GMSL-112H
	
<p>Lens: M127B0618W Lens EFL: 6.0 mm FOV(D): 68.5° FOV(H): 57° FOV(V): 34°</p>	<p>Lens: M128B02820WM12R1 Lens EFL: 2.8 mm FOV(D): 134° FOV(H): 112° FOV(V): 69.5°</p>
	



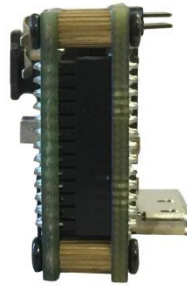
Leopard Imaging Inc.

1130 Cadillac Ct., Milpitas, CA 95035, USA
 Phone: +1-408-263-0988
 Fax: +1-408-217-1960
 Email: sales@leopardimaging.com
 Website: www.leopardimaging.com

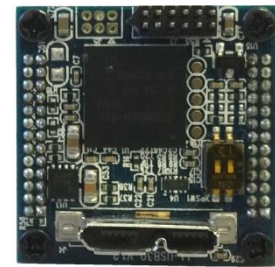
LI-TESTER-NV



Front View



Side View



Back View

LI-OV10635-GMSL can connect to USB 3.0 EVA module as a USB 3.0 camera.

Part#: **LI-OV10635-GMSL-xxxH**

Key Features

- USB 3.0 Super Speed support
- YUV output without compression
- UVC compliance
- Provide customization services
- USB +5VDC powered device
- Support WDR
- Weight: 86 g
- Single Coax Cable transmit up to 15 meter PoC(Power over Cable)
- Support 1280x800@30fps
- Power consumption: 350 mA at 5 VDC
- Supported by Windows, Mac, Linux OS and other OS with full UVC driver included.



SDK Supported

- Camera Tool Source Code in C#
- Capture & Display



Leopard Imaging Inc.

1130 Cadillac Ct., Milpitas, CA 95035, USA
Phone: +1-408-263-0988
Fax: +1-408-217-1960
Email: sales@leopardimaging.com
Website: www.leopardimaging.com

Revision History

Revision	Description	Release Date
1.0	First Release	24. Dec. 2017



Leopard Imaging Inc.

1130 Cadillac Ct., Milpitas, CA 95035, USA
Phone: +1-408-263-0988
Fax: +1-408-217-1960
Email: sales@leopardimaging.com
Website: www.leopardimaging.com