



LEOPARD IMAGING INC

# LI-M10V-DUAL-USB30

## Data Sheet

### Specifications

- Sony Diagonal 7.857 mm (Type 1/2.3) CMOS Image Sensor IMX477
- Resolution: 3840 (H) x2160 (V)
- Frame rate: 30 fps
- Socionext M10V processor
- USB 3.0 Super Speed supported
- UVC compliance
- Lens: FOV 43.4° horizontal (each video)
- Dual Cameras
- Image stitching supported
- 1 USB 3.0 Type-C interface
- 1 USB 2.0 Micro-B interface
- 1 UART interface
- 1 Power interface (12 VDC)
- 1 RJ45 Ethernet interface
- 2 Micro-SD card interfaces
- Weight: ~ 241 g
- Part#: **LI-M10V-DUAL-USB30**



### Applications

- USB 3.0 Dual camera

### BOM

#	Items	QTY
1	LI-M10V-DUAL-USB30	1
2	Power supply	1
3	USB2.0 Micro-B cable	1
4	USB3.0 Type-C cable	1



Leopard Imaging Inc.

48820 Kato Road, Suite 100B, Fremont, CA 94538, USA  
Phone: +1-408-263-0988  
Fax: +1-408-217-1960  
Email: sales@leopardimaging.com  
Website: www.leopardimaging.com

# SPECIFICATIONS

## Specifications

Video Resolution @ Frame rate

MJPEG:

3840x2160 @ 30fps

1920x1080 @ 60fps

1280x720 @ 60fps

YUV:

1920x1080 @ 30fps

1280x720 @ 30fps

NV12:

1920x1080 @ 30fps

1280x720 @ 30fps

H264:

3840x2160 @ 30fps

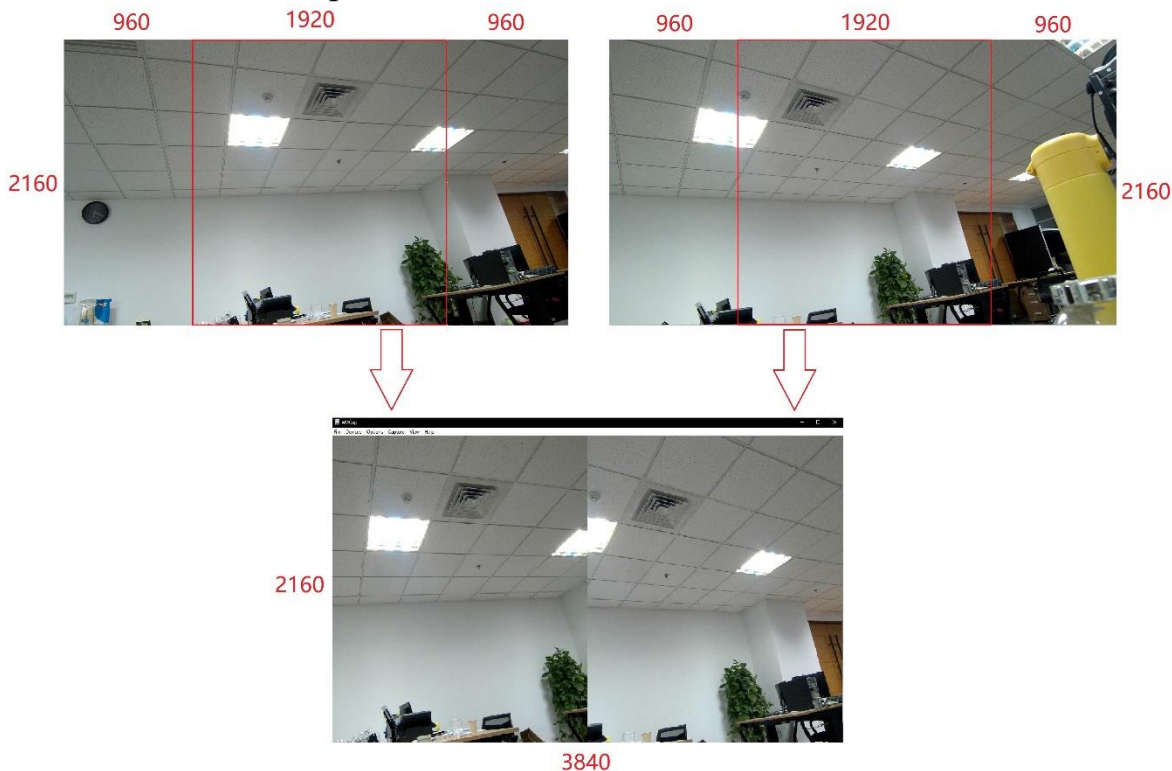
1920x1080 @ 60fps

1280x720 @ 60fps

720x480 @ 60fps

Two videos output side by side, but each video is cropped from the center of the full FOV image.

Take 3840x2160 as an example.



Leopard Imaging Inc.

48820 Kato Road, Suite 100B, Fremont, CA 94538, USA

Phone: +1-408-263-0988

Fax: +1-408-217-1960

Email: [sales@leopardimaging.com](mailto:sales@leopardimaging.com)

Website: [www.leopardimaging.com](http://www.leopardimaging.com)

# SPECIFICATIONS

Specifications	
Camera	
Sensor	Sony Diagonal 7.857 mm (Type 1/2.3) CMOS Image Sensor IMX477
Shutter	Rolling
Format	1/2.3"
Resolution	H:4056, V:3040
Pixel size	H: 1.55 $\mu\text{m}$ , V: 1.55 $\mu\text{m}$
Lens mount	M12 lens mount support
Lens	
E3360A	<ul style="list-style-type: none"> <li>▪ Part#: E3360A</li> <li>▪ Focal length: 4 mm</li> <li>▪ F/#: 2.05</li> <li>▪ Built-in 650 nm IR cut filter</li> <li>▪ FOV(H): 43.4° (1920 x 2160)</li> <li>▪ Mount: M12 x P0.5</li> </ul>
USB 3.0 Interface	
Interface	USB 3.0 Type-C
Current consumption	TBD
External Power Supply	
Voltage	12 VDC
Dimensions & Weight	
Dimensions	L: 80.70mm, W: 38.00mm, H: 93.33mm
Weight (with lens)	~ 241 g
Adjustment	
Manual	TBD
Auto	TBD
Environmental	
Max. temperature (operation)	-10°C ~ 60°C (14°F~ 140°F)
Max. temperature (storage)	-20°C ~ 70°C (-4°F~158°F)
Max. humidity (operation)	20 % ~ 80 %, relative, non-condensing
Max. humidity (storage)	20 % ~ 80 %, relative, non-condensing

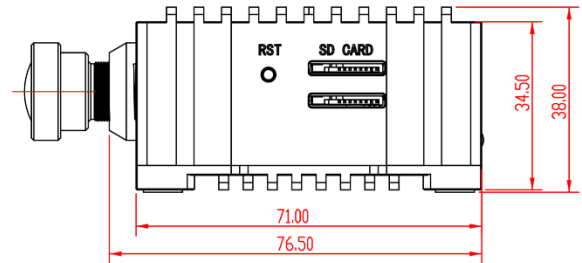
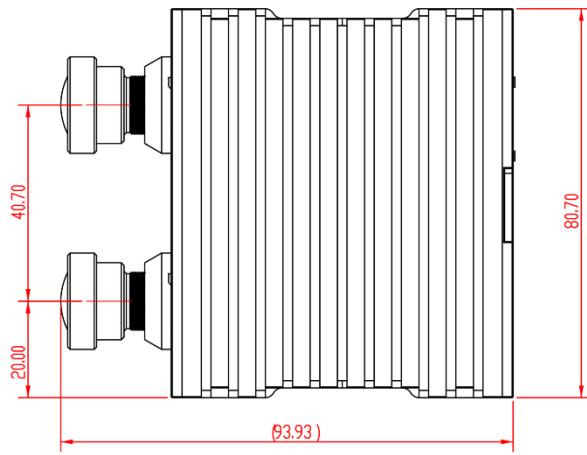


Leopard Imaging Inc.

48820 Kato Road, Suite 100B, Fremont, CA 94538, USA  
 Phone: +1-408-263-0988  
 Fax: +1-408-217-1960  
 Email: sales@leopardimaging.com  
 Website: www.leopardimaging.com

# DIMENSIONS

## Dimensions



Leopard Imaging Inc.

48820 Kato Road, Suite 100B, Fremont, CA 94538, USA  
Phone: +1-408-263-0988  
Fax: +1-408-217-1960  
Email: [sales@leopardimaging.com](mailto:sales@leopardimaging.com)  
Website: [www.leopardimaging.com](http://www.leopardimaging.com)

## Revision History

Revision	Description	Release Date
1.0	First Release.	04 May 2020
1.1	Update the camera to new version with housing.	06 Sep 2020
1.2	Add the video output information.	05 Jan 2021
1.3	Update the camera pictures.	27 Feb 2021



Leopard Imaging Inc.

48820 Kato Road, Suite 100B, Fremont, CA 94538, USA  
Phone: +1-408-263-0988  
Fax: +1-408-217-1960  
Email: [sales@leopardimaging.com](mailto:sales@leopardimaging.com)  
Website: [www.leopardimaging.com](http://www.leopardimaging.com)