



LI-ISX019-T1933



Address:

48820 Kato Road
Suite 100B
Fremont, CA 94538
USA



Phone:

+1 (408)263-0988

Fax:

+1 (408)217-1960



Sales:

sales@leopardimaging.com

Support:

support@leopardimaging.com

INTRODUCTION

The LI-ISX019-TI933 is equipped with Sony 1.23MP SoC sensor ISX019 and TI FPD-Link Serializer TI933 and is designed for automotive applications. This camera outputs 30fps fine tuned YUV image data with HDR (High Dynamic Range) supported.

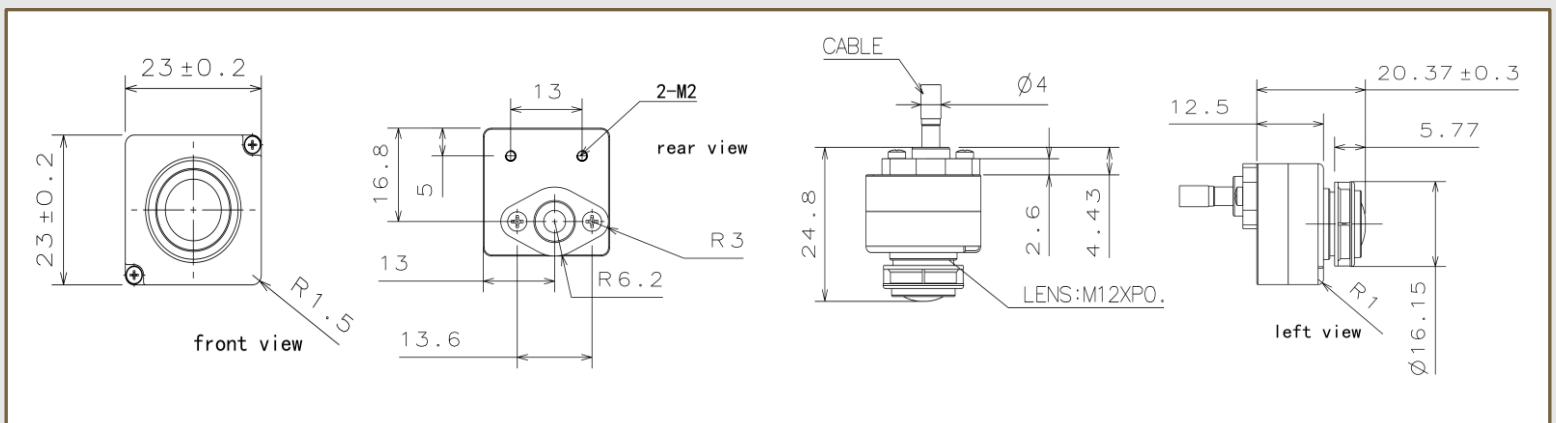
KEY FEATURES

Sensor	Sony 4.69mm CMOS SoC Sensor ISX019
Optical format	1/3.8"
Resolution	1280H x 960V
Pixel size	2.9um x 2.9um
Data format	Tuned YUV data Coax Serial real time streaming
Color/Mono	Color sensor
HDR support	Yes
Lens	FOV H 110°
Serializer	TI FPD-Link serializer TI933
Power supply range	6V ~ 16V
Connector	FAKRA Z TYPE
Water proof	IP69K
Operating Temp	-40 ~ +85°C
Weight	14g ± 0.5g
Part#	LI-ISX019-TI933

APPLICATIONS

- Autonomous driving

DIMENSIONS

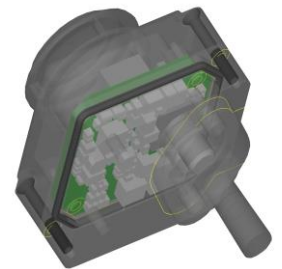


LENS SPECIFICATIONS

Model	E3288L-R4
Focal length	1.96 mm
Aperture, F/#	2.2
FOV (H)	110°
TTL	12.2mm
F-Theta distortion	<-4.5%
Relative illumination	> 60%
Iris	Fixed
Water proof	IP69K
Filter	650nm IR cut filter
Mount	M12x0.5

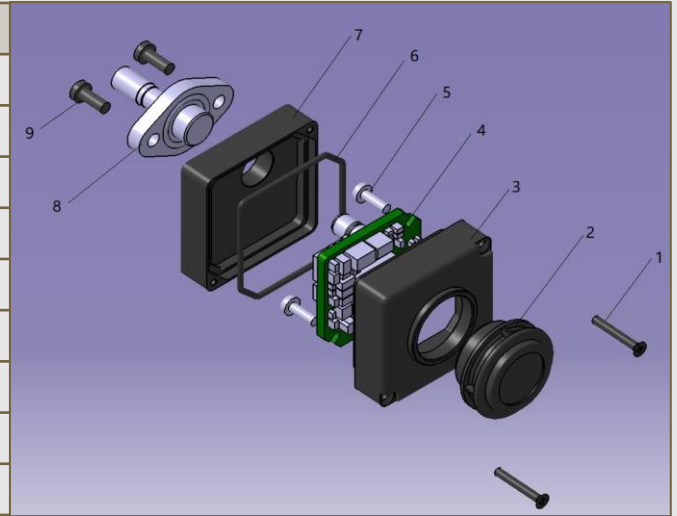
WATER PROOF

- Metal Housing
- Water-proof M12 lens
- Sealed Gasket (Black)
- IP69K Grade

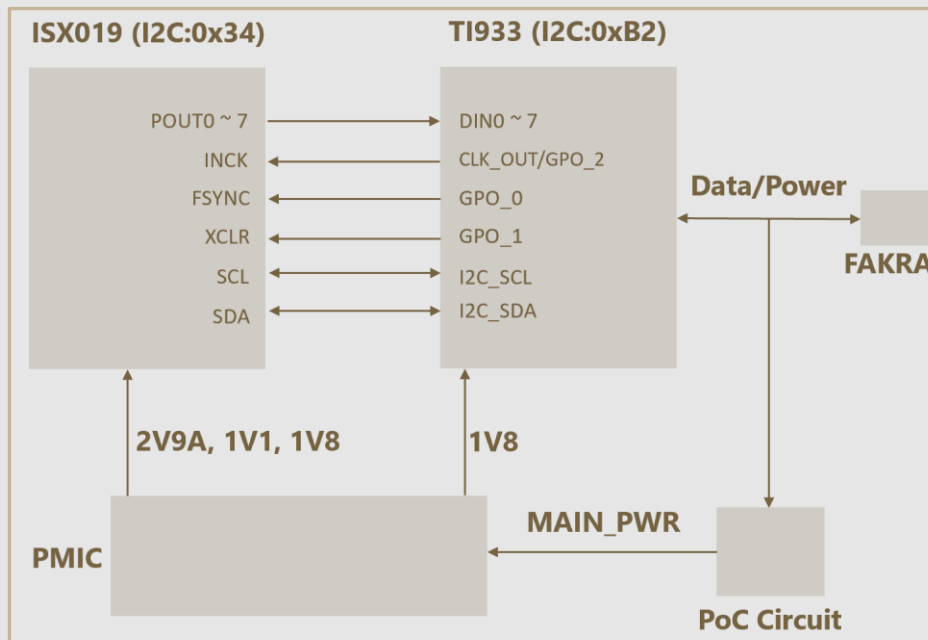


BOM

#	NAME	PART NO.	QTY	SPEC
1	Flat screw	10.02. C014100SR4ZL	2	KM1.4x10
2	Lens	E3288L-R4	1	E3288L-R4
3	Front shell	10.09. B1SC101-01-1	1	
4	PCBA	LI-ISX019-TI933	1	
5	Pan screw	10.02. C014050PR4NL	2	PM1.4x5
6	Gasket	10.09. B1SC107-01-8	1	Black
7	Rear shell	10.09. B1SC102-01-1	1	
8	Cable		1	
9	Pan screw	10.02. C020050PA4ZL	2	PM2x5

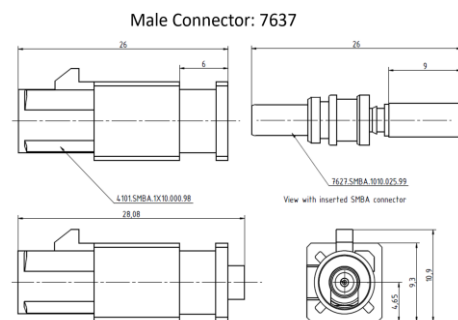


PIN CONNECTIONS



CABLE CONNECTORS

- Camera connector – FAKRA male connector
- Cable length: 60cm
- Part#: IMS 7637
- FAKRA type Z connector



USB3.0 Camera Kit

LI-USB30-DESER-TI914



LI-ISX019-TI933 can connect to LI-USB30-DESER-TI914 as a USB 3.0 camera.

Part#: **LI-USB30-ISX019-TI933**

Key Features

- USB 3.0 Super Speed support
- UVC compliance
- Provide customization services
- 12VDC Power Supply
- Weight: TBD
- Single Coax Cable transmit up to 15 meters PoC (Power over Cable)
- Support 1280x961@30fps
- Power consumption: Approx. 50mA at 12VDC
- Support Windows, Linux OS and other OS which include the UVC drivers

SDK Supported

- Camera Tool Source Code in C#
- Capture & Display
- ISP Binary Update



● REVISION HISTORY

Revision	Description	Release date
1.0	First Release	18. Jul. 2020
1.1	Add USB3.0 camera kit information	20. Jul. 2020

48820 Kato Rd, Suite 100B, Fremont, CA 94538, USA

Phone: +1-408-263-0988

Fax: +1-408-217-1960

Email: sales@leopardimaging.com

Website: www.leopardimaging.com

