



LEOPARD IMAGING INC

LI-ISX019-GMSL Data Sheet

Key Features

- Sony 4.69mm CMOS SoC Sensor ISX019
- Optical format: 1/3.8"
- Active pixels: 1280H x 960V
- Pixel size: 2.9 um x 2.9 um
- Tuned YUV data Coax Serial real time streaming
- Support HDR(High Dynamic Range)
- 4 V ~ 7V Power
- MAX96705 Serializer
- Lens: H FOV 116°
- Connector: FAKRA Z TYPE
- Water proof: IP67
- Operation Temp: -40 ~ 85 °C
- Storage Temp: -40 ~ 105 °C
- Weight: 45 g
- Part#: **LI-ISX019-GMSL**

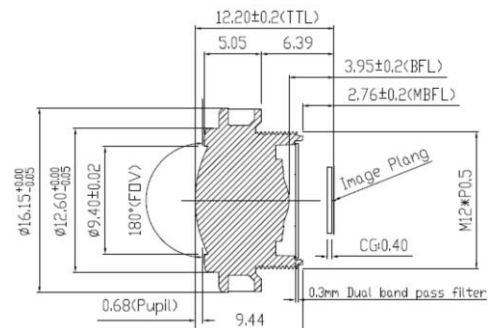


Application

- Automotive camera
- Camera monitoring system
- Surround view system

Lens Spec

- Model: YC-1A1
- Focal length: 1.93 mm +/- 5%
- Aperture, F/#: 2.2 +/- 5%
- Built in 650nm IR cut filter
- FOV (H): 116°
- IRIS: Fixed
- Mount: M12 x 0.5 – 6g

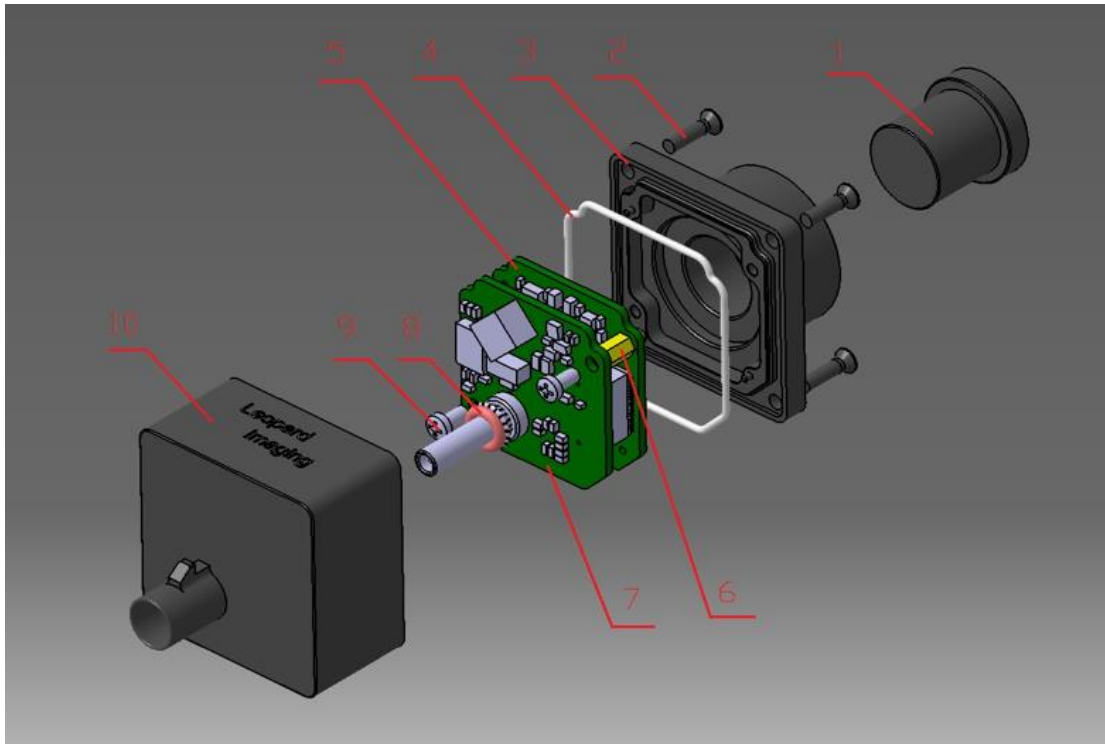


Leopard Imaging Inc.

48820 Kato Rd, Suite 100B, Fremont, CA 94538, USA
Phone: +1-408-263-0988
Fax: +1-408-217-1960
Email:sales@leopardimaging.com
Website: www.leopardimaging.com

BOM

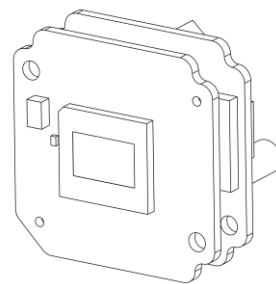
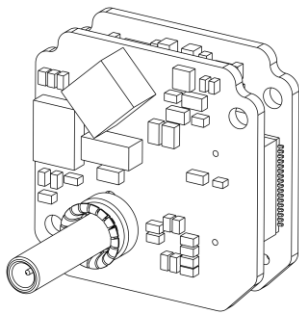
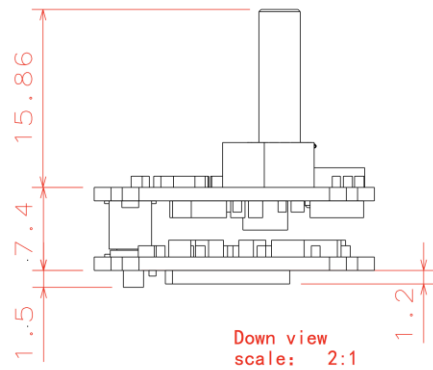
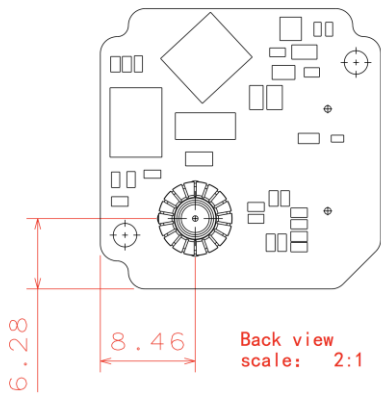
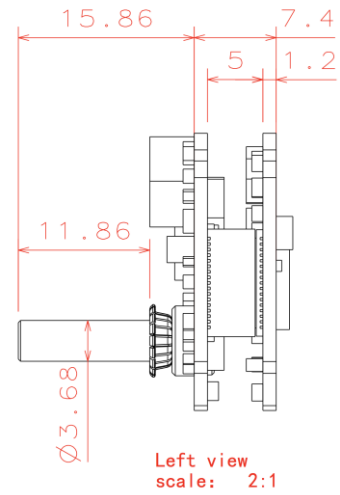
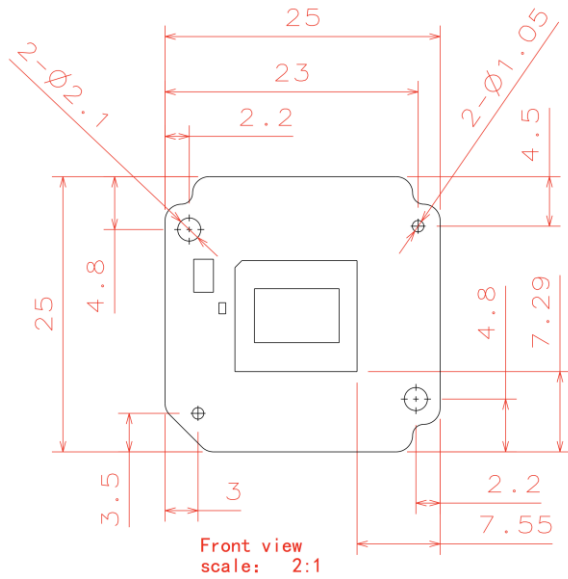
#	Name	SPEC	QTY/SET
1	Lens	M12 lens	1
2	Screw	M2*8 cross flat head black ZINC	4
3	Shell 2	AL6061-T6 BLACK Anodizing	1
4	Sealing ring	Silicon rubber, White	1
5	LI-ISX019-PAR-FKR	ISX019 sensor board	1
6	Copper pillar	M2*5+3	2
7	LI-GMSL-FKR	GMSL board	1
8	O ring	6.5*1.5 Silicon rubber Red	1
9	Screw	M2*4 cross pan head black ZINC	2
10	Shell 1	AL6061-T6 BLACK Anodizing	1



Leopard Imaging Inc.

48820 Kato Rd, Suite 100B, Fremont, CA 94538, USA
 Phone: +1-408-263-0988
 Fax: +1-408-217-1960
 Email: sales@leopardimaging.com
 Website: www.leopardimaging.com

Camera boards Dimensions

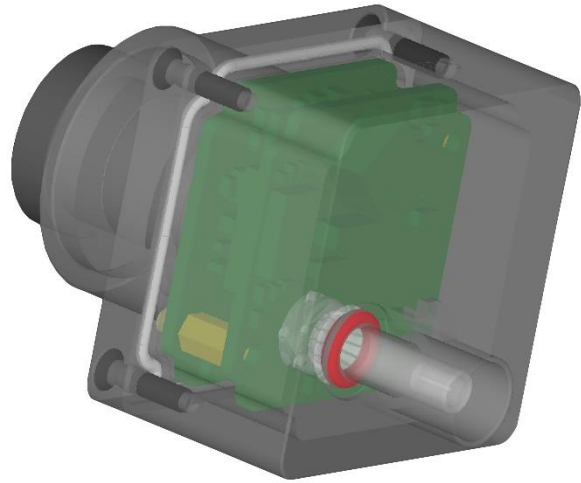


Leopard Imaging Inc.

48820 Kato Rd, Suite 100B, Fremont, CA 94538, USA
 Phone: +1-408-263-0988
 Fax: +1-408-217-1960
 Email: sales@leopardimaging.com
 Website: www.leopardimaging.com

Water Proof

- Metal Housing
- Water-proof M12 lens
- Sealed Gasket (White)
- Sealed O-ring (Red)



Cable Connector

- Housing Connector- FAKRA Z Type
- Cable length: 3 meters
Support single Coax Cable transmit up to 15 meters
- Cable Part#: FAK-SMZSMZ-0008
- FAKRA type connectors



Leopard Imaging Inc.

48820 Kato Rd, Suite 100B, Fremont, CA 94538, USA
Phone: +1-408-263-0988
Fax: +1-408-217-1960
Email: sales@leopardimaging.com
Website: www.leopardimaging.com

LI-MAX9272-DESER



Front View

LI-USB30-CNTL



Back View

LI-ISX019-GMSL can connect to USB 3.0 EVA module as a USB 3.0 camera.

Part#: **LI-USB30-ISX019-GMSL**

Key Features

- USB 3.0 Super Speed support
- YUV output without compression
- UVC compliance
- Provide customization services
- Support 4 V ~ 12V Power
- Support HDR
- Weight: 86 g
- Single Coax Cable transmit up to 15 meter PoC(Power over Cable)
- Support 1280x960
- Power consumption: 140 mA at 5 VDC
- Supported by Windows, Mac, Linux OS and other OS with full UVC driver included.

SDK Supported

- Camera Tool Source Code in C#
- Capture & Display



Revision History

Revision	Description	Release Date
1.0	First Release	17. Feb. 2019



Leopard Imaging Inc.

48820 Kato Rd, Suite 100B, Fremont, CA 94538, USA
Phone: +1-408-263-0988
Fax: +1-408-217-1960
Email: sales@leopardimaging.com
Website: www.leopardimaging.com