



# LI-IMX490-GMSL2-xxxH



**Address:**

910 Auburn Ct  
Fremont, CA 94538  
USA



**Phone:**

+1 (408)263-0988

**Fax:**

+1 (408)217-1960



**Sales:**

[sales@leopardimaging.com](mailto:sales@leopardimaging.com)

**Support:**

[support@leopardimaging.com](mailto:support@leopardimaging.com)

## INTRODUCTION

The LI-IMX490-GMSL2-xxxH is equipped with Sony automotive sensor IMX490 and Maxim GMSL2 serializer MAX9295A/B and is designed for automotive applications. This camera outputs RAW image data with HDR (High Dynamic Range) supported.

## KEY FEATURES

Sensor	Sony Diagonal 10.36 mm (Type 1/1.55) CMOS Image Sensor IMX490
Optical Format	1/1.55"
Resolution	2897 (H) x 1877 (V) (active pixels)
Pixel Size	3.0 x 3.0 $\mu\text{m}$
Data Format	20-bit / 16-bit / 14-bit / 12-bit RAW
Color / Mono	Color sensor
Maximum Frame Rate	40 fps @ 2880 x 1860
HDR (High Dynamic Range)	Supported
LFM (LED Flicker Mitigation)	Supported
Lens	FOV H 30° / 40° / 65° / 90° / 120°
Serializer	Maxim MAX9295A/B
Power Supply Range	9 ~ 19 VDC
Connector	FAKRA Z TYPE
IP Rating	FOV H 30° / 120°: IP69K FOV H 40° / 65°: IP67 FOV H 90°: TBD
Power Consumption	102 mA @ 12 VDC (2880 x 1860 @ 19 fps)
Operating Temp	-40°C ~ +85°C
Storage Temp	-40°C ~ +85°C
Weight	~ 55 g
Part#	LI-IMX490-GMSL2-xxxH

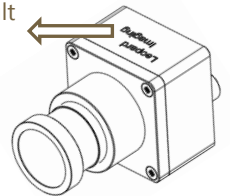
## APPLICATIONS

- Automotive ADAS
- Automotive Rear View or Backup

## DEFAULT IMAGING DIRECTION

- The logo "Leopard Imaging" is on the TOP.

TOP (Default Imaging Direction)

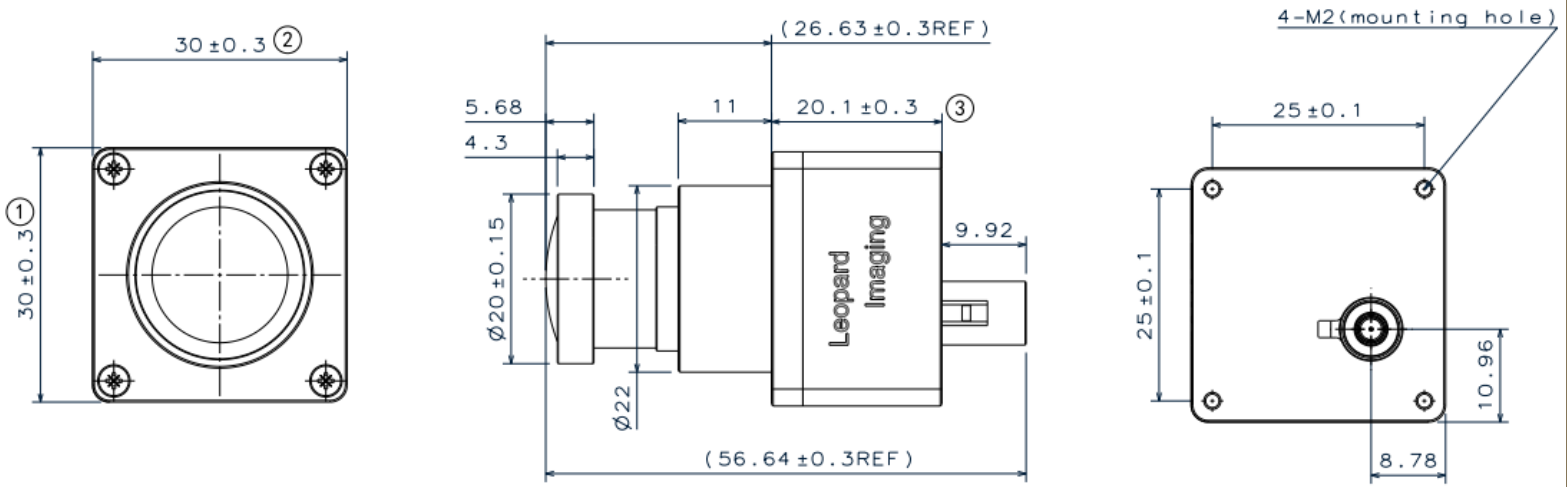


## CABLE CONNECTOR

- Housing Connector: FAKRA Z Type
- Cable Length: 3 meters
- Cable Part#: FAK-SMZSMZ-3M



● DIMENSIONS: LI-IMX490-GMSL2-030H

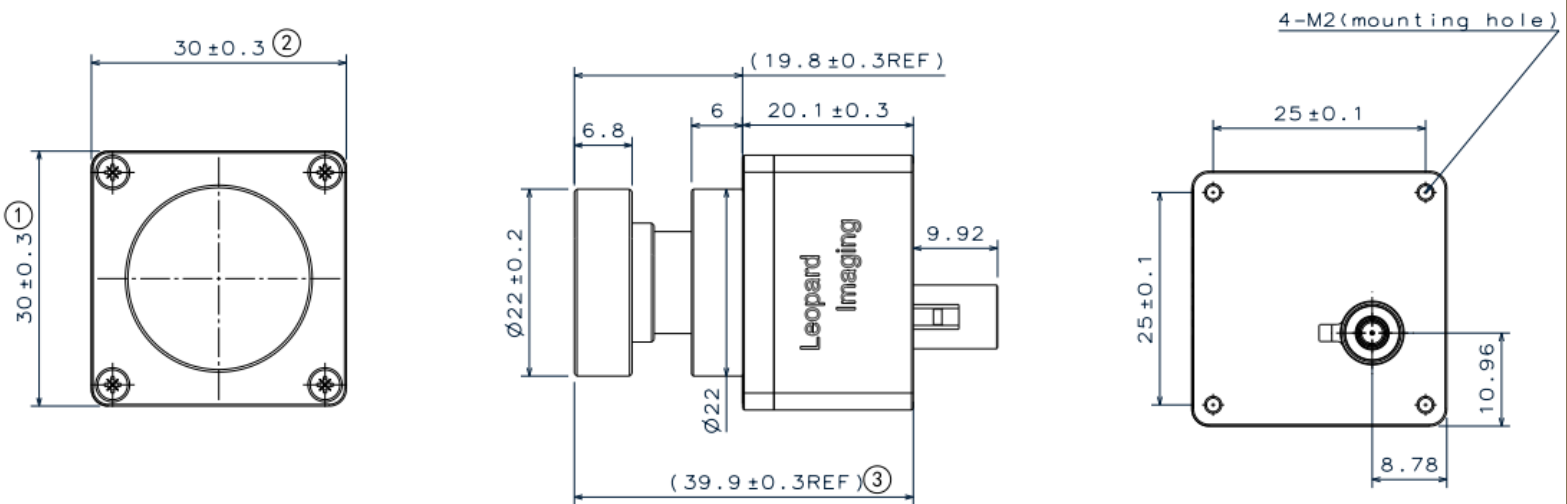


**NOTE:**

- $\otimes$  marked are important sizes.
- Tolerances for others unmarked are  $\pm 0.3$  mm.

Unit: mm

● DIMENSIONS: LI-IMX490-GMSL2-040H

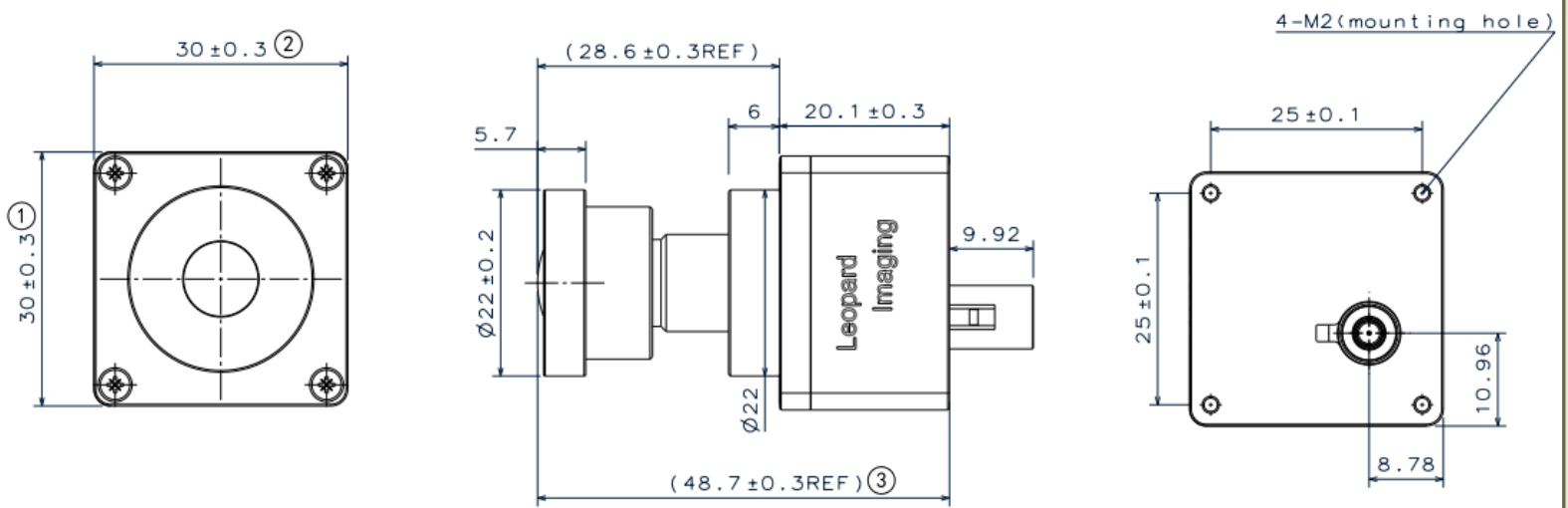


**NOTE:**

- $\otimes$  marked are important sizes.
- Tolerances for others unmarked are  $\pm 0.3$  mm.

Unit: mm

## DIMENSIONS: LI-IMX490-GMSL2-065H

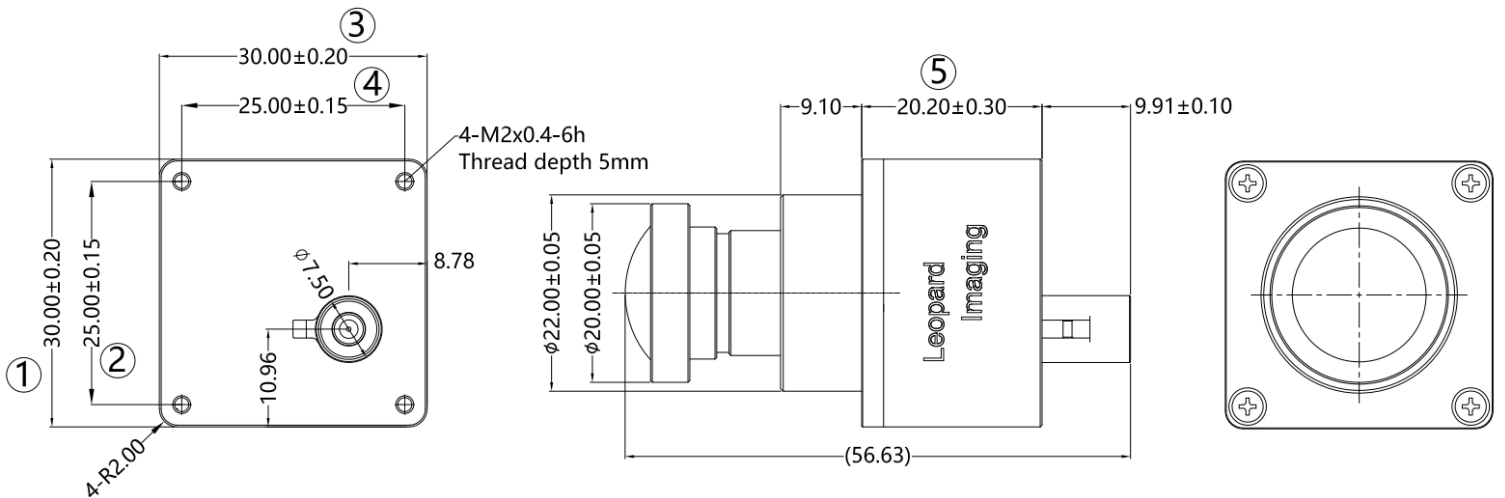


### NOTE:

- $\otimes$  marked are important sizes.
- Tolerances for others unmarked are  $\pm 0.3$  mm.

Unit: mm

## DIMENSIONS: LI-IMX490-GMSL2-090H

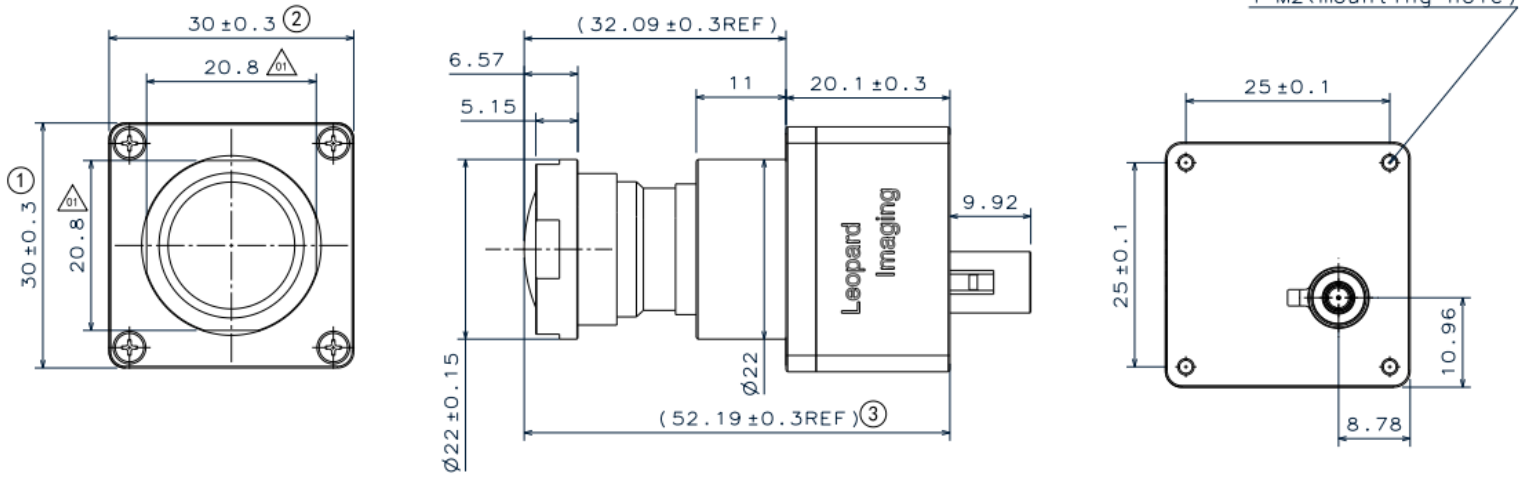


### NOTE:

- $\otimes$  marked are important sizes.
- Tolerances for others unmarked are  $\pm 0.3$  mm.

Unit: mm

# DIMENSIONS: LI-IMX490-GMSL2-120H



**NOTE:**

- $\otimes$  marked are important sizes.
- Tolerances for others unmarked are  $\pm 0.3$  mm.
- $\triangle$  indicates revisions have been made.

Unit: mm

## LENS SPECIFICATIONS

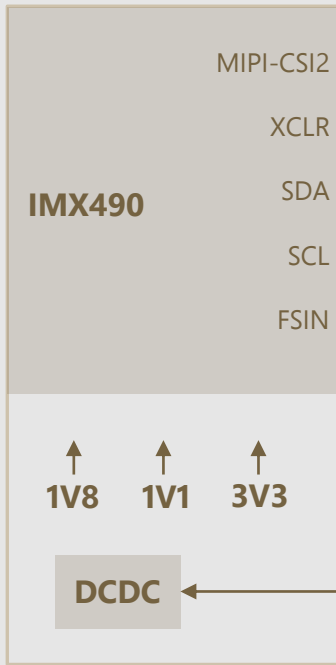
xxxH refers to 030H (FOV H 30°), 040H (FOV H 40°), 065H (FOV H 65°), 090H (FOV H 90°), 120H (FOV H 120°)

LI-IMX490-GMSL2-030H	LI-IMX490-GMSL2-040H
	
Lens: CAR-56	Lens: DSL612
Lens EFL: 16.37 mm	Lens EFL: 11.9 mm
Aperture, F/#: 1.6	Aperture, F/#: 2.0
Field of View (FOV): 35.5° (D) / 30.0° (H) / 19.5° (V)	Field of View (FOV): 44.4° (D) / 38.0° (H) / 20.8° (V)
Mount: M17	Mount: M12

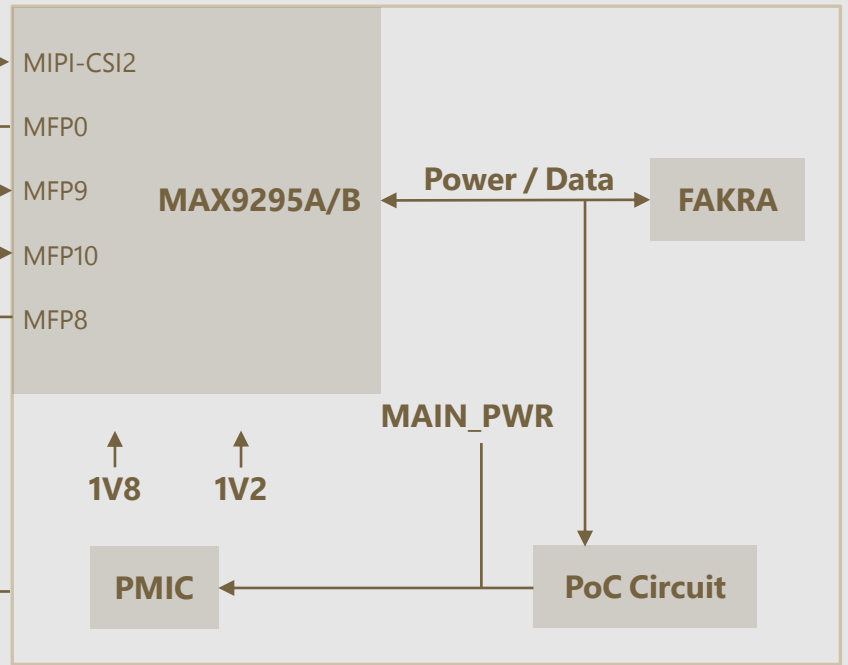
LI-IMX490-GMSL2-065H	LI-IMX490-GMSL2-090H	LI-IMX490-GMSL2-120H
		
Lens: DSL608	Lens: DSL332A	Lens: CAR-55
Lens EFL: 7.9 mm	Lens EFL: 5.39 mm	Lens EFL: 4.49 mm
Aperture, F/#: 2.0	Aperture, F/#: 2.6	Aperture, F/#: 1.6
Field of View (FOV): 74.0° (D) / 65.0° (H) / 37.0° (V)	Field of View (FOV): 90° (H)	Field of View (FOV): 154.9° (D) / 120.0° (H) / 73.2° (V)
Mount: M12	Mount: M14	Mount: M16

# PINOUT CONNECTIONS

(I2C: 0x1A 7-bit)



(I2C: 0xC4 8-bit)



# USB3.0 CAMERA KIT

LI-GMSL2-USB



Top View



Bottom View

LI-IMX490-GMSL2-xxxH can connect to LI-GMSL2-USB as a USB 3.0 camera.

Part#: **LI-USB30-IMX490-GMSL2-xxxH**

## SPECIFICATIONS

- USB 3.0 Super Speed support
- RAW data output without compression
- UVC compliant
- Allows customization
- 12 VDC power supply for camera
- Weight: ~ 86 g
- Single Coax Cable transmits up to 12 meters PoC (Power over Cable)
- Resolution: 2880 x 1860 @ 19 fps
- Power consumption: 102 mA @ 12 VDC
- Compatible with Windows, Linux OS and other OS which have UVC drivers

## BOM

#	Items	QTY
1	LI-IMX490-GMSL2-xxxH	1
2	LI-GMSL2-USB	1
3	3-Meter Fakra Cable	1
4	12 VDC Power Supply	1
5	USB3.0 Cable	1



12 VDC power supply for camera

## SDK SUPPORTED

- Camera Tool Source Code in C#
- Capture & Display
- Register Access Function
- Save file as BMP & RAW format



## ● REVISION HISTORY

Revision	Description	Release Date
1.0	First release.	20 Aug 2019
1.1	Added DSL492 lens and updated the resolution to full size.	26 Aug 2019
1.2	Added 030H lens.	02 Aug 2019
1.3	Changed CAR-53 lens to CAR-55.	02 Jun 2021
1.4	Replaced CAR-36 with CAR-56 and updated 2D dimensions, power consumption, frame rate, resolution, and storage temp.	26 Nov 2021
1.5	Updated 090H lens to DSL332A.	04 Jan 2023
1.6	Deleted HDR function on the USB30 page.	07 Apr 2023

910 Auburn Ct, Fremont, CA 94538, USA

Phone: +1-408-263-0988

Fax: +1-408-217-1960

Email: [sales@leopardimaging.com](mailto:sales@leopardimaging.com)

Website: [www.leopardimaging.com](http://www.leopardimaging.com)

