



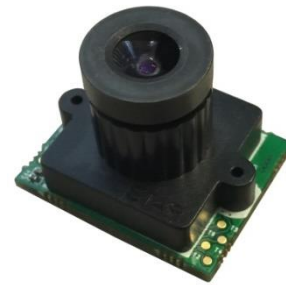
LEOPARD IMAGING INC

# LI-IMX290-MIPI

## Data Sheet

### Key Features

- Sony Diagonal 6.46 mm (Type 1/2.8) CMOS Image Sensor IMX290
- Active pixels: 1945 (H) x 1109 (V)
- Pixel size: 2.9 x 2.9  $\mu\text{m}$
- Color sensor
- Interface: MIPI output
- Supports M12 lens
- Module size: 27 x 21.5 mm
- Weight: ~ 14 g
- Part#: **LI-IMX290-MIPI**

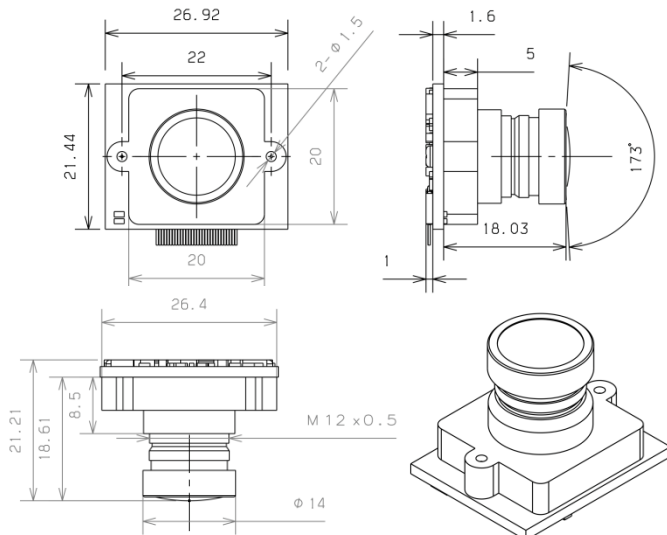


### Lens Spec

- Model: LC001
- Focal Length: 3.98 mm +/- 5%
- Aperture, F/#: 2.3 +/- 5%
- Built in 650 nm IR cut filter
- FOV (D / H / V): 96° / 82.4° / 46°
- TV Distortion: < 12%
- Mount: M12 x P0.5

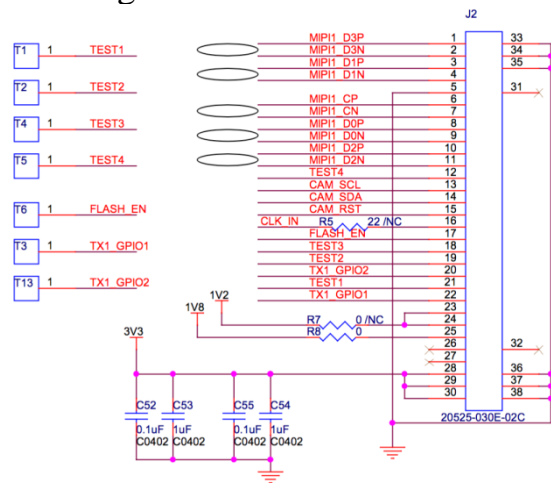


### Dimensions



### Interfaces

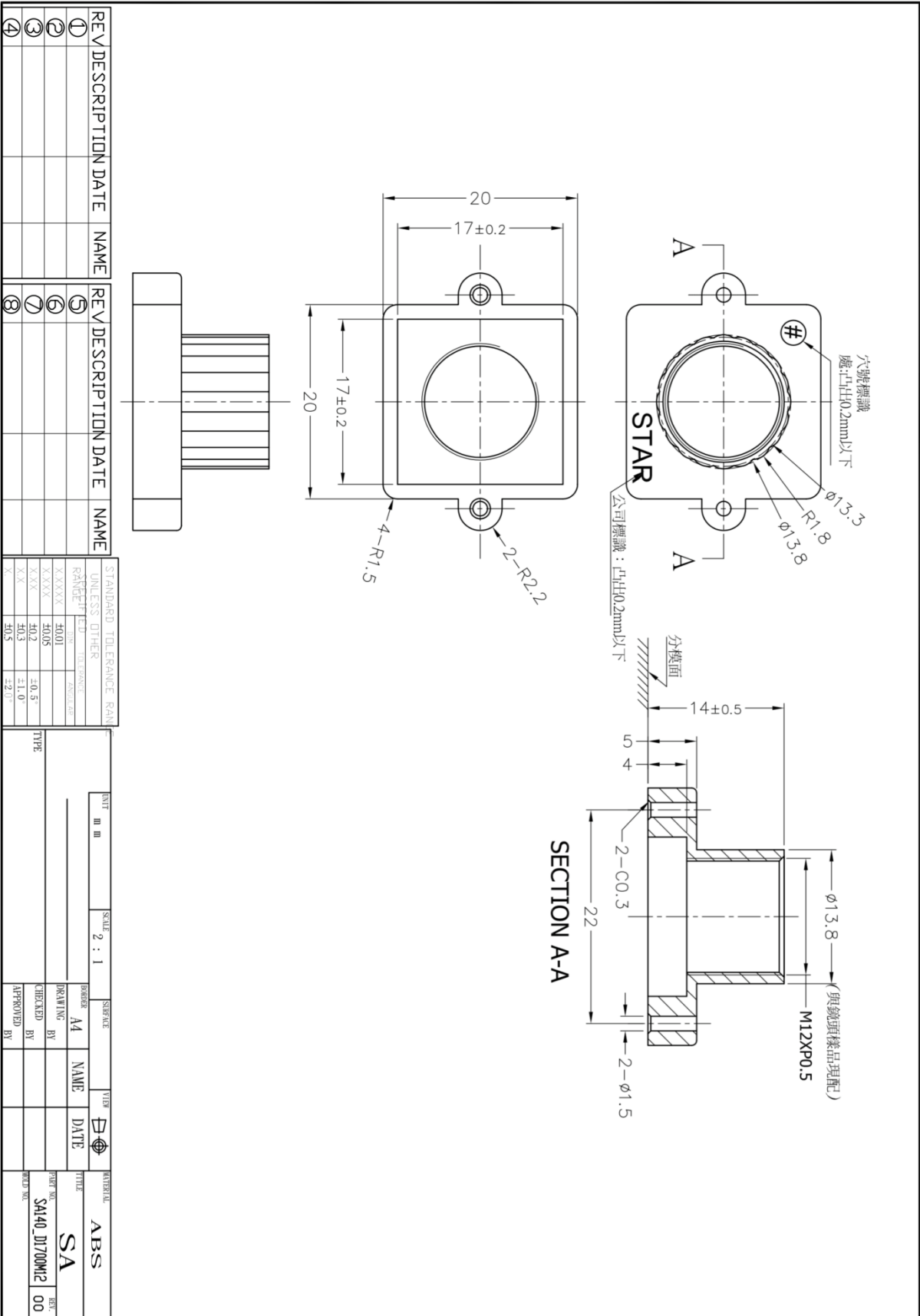
- Part#: 20525-030E-02C
- Number of Positions: 30
- Mating Cable: FAW-1233-xx



Leopard Imaging Inc.

48820 Kato Road, Suite 100B, Fremont, CA 94538, USA  
 Phone: +1-408-263-0988  
 Fax: +1-408-217-1960  
 Email: sales@leopardimaging.com  
 Website: www.leopardimaging.com

# SA140 Lens Mount Spec



Leopard Imaging Inc.

48820 Kato Road, Suite 100B, Fremont, CA 94538, USA  
 Phone: +1-408-263-0988  
 Fax: +1-408-217-1960  
 Email: sales@leopardimaging.com  
 Website: www.leopardimaging.com

## Revision History

Revision	Description	Release Date
1.0	First release.	20. Sep. 2018
1.1	Deleted info quoted from sensor spec.	26. May. 2022

