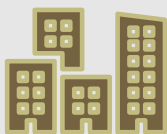




LI-IMX283-MIPI-133H



Address:

48820 Kato Road
Suite 100B
Fremont, CA 94538
USA



Phone:

+1 (408)263-0988

Fax:

+1 (408)217-1960



Sales:

sales@leopardimaging.com

Support:

support@leopardimaging.com

INTRODUCTION

The LI-IMX283-MIPI-133H is a MIPI CSI-2 camera with Sony image sensor IMX283 which features a color square pixel array and approximately 20.30 M effective pixels. Such sensor ensures high-sensitivity, low dark current, low power consumption and electronic shutter function with variable storage time.

SPECIFICATIONS

Sensor	Sony Diagonal 15.86 mm (Type 1) CMOS Image Sensor IMX283
Optical Format	1"
Resolution	5496 (H) x 3672 (V) (active pixels)
Pixel Size	2.4 x 2.4 μm
Output Format	10-bit / 12-bit Raw data
Maximum Frame Rate	25 fps @ 5496 x 3694
ISP	Not included
Color / Mono	Color
Interface	4-lane MIPI CSI-2
Power Consumption	Approximate 200 mA @ 3.3 VDC
Operating Temp	-10°C ~ +75°C
Storage Temp	-30°C ~ +80°C
Weight	~ 61 g
Part#	LI-IMX283-MIPI-133H

APPLICATIONS

- IoT
- Drone
- Robots

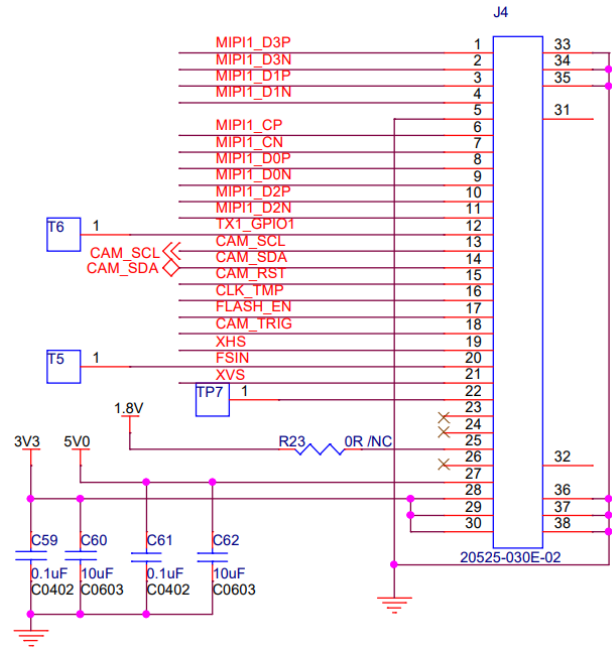
LENS SPECIFICATIONS

Focal Length	5.9 mm
Aperture, F/#	2.9
Field of View (FOV)	132.9° horizontal
	95.0° vertical
Optical Distortion	0.2%
IR Filter	650 nm IR cut filter
Lens Mount	M20 x P0.5

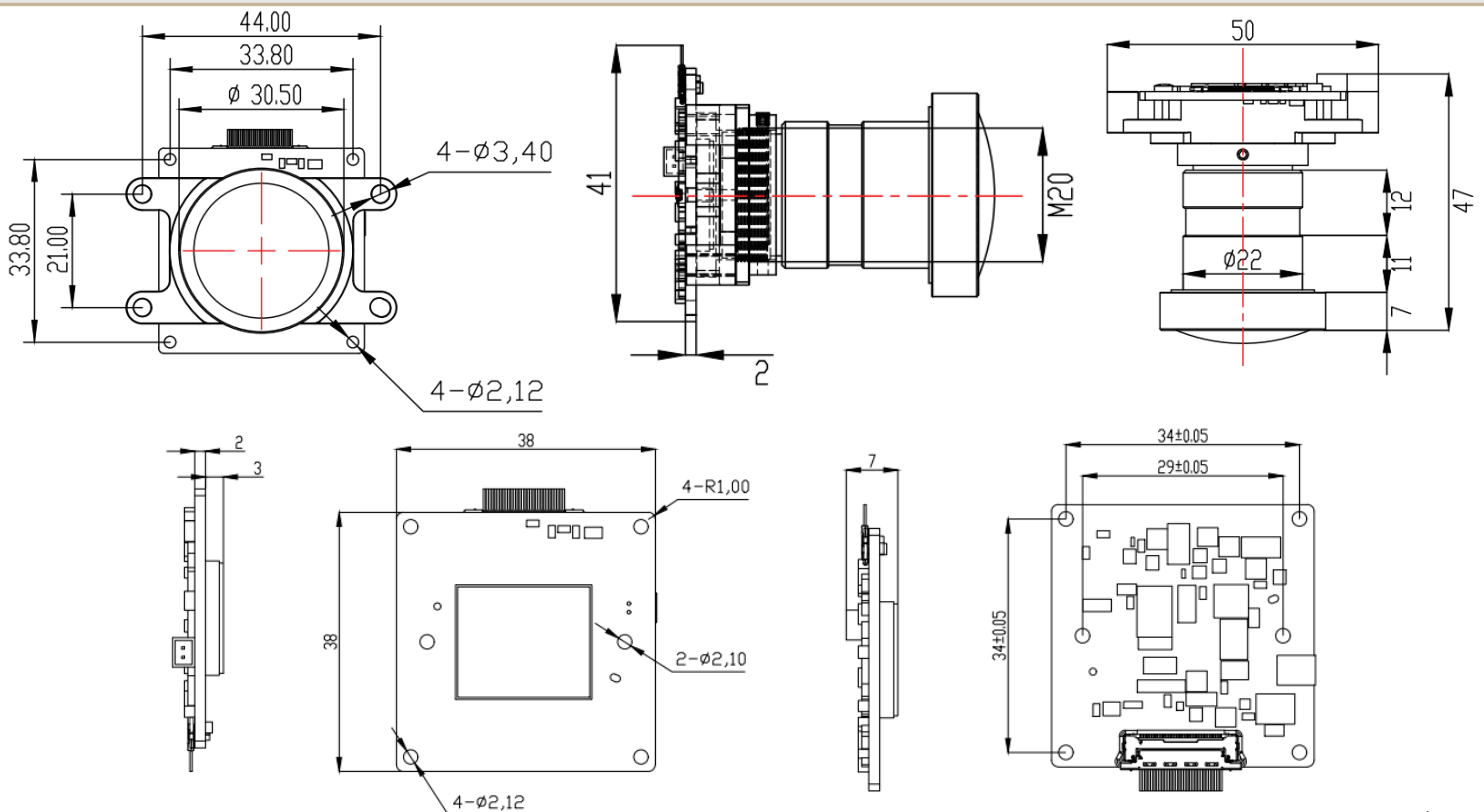


INTERFACE

- Connector Part#: 20525-030E-02
- Number of Positions: 30
- Pitch: 0.4 mm
- Mating I-PEX cable: FAW-1233-xx
- 27 MHz Oscillator included to supply sensor input clock
- Sensor I2C address: 0x1A (7-bit)
- External power supply: 3.3V
- 2.9V, 1.8V, 1.2V are generated from board
- 5V is not used



DIMENSIONS



Unit: mm

● SOFTWARE SUPPORT

Platforms	Latest Drivers
NVIDIA Jetson Platforms	Please check detailed Jetson driver information: https://www.leopardimaging.com/driver-support/
Leopard USB3.0 Tester	The latest firmware will be pre-installed into the USB3.0 Camera Kit

● REVISION HISTORY

Revision	Description	Release Date
1.0	First release.	29. Apr. 2021
1.1	Deleted info quoted from sensor spec.	26. May. 2022

48820 Kato Rd, Suite 100B, Fremont, CA 94538, USA

Phone: +1 (408)263-0988

Fax: +1 (408)217-1960

Email: sales@leopardimaging.com

Website: www.leopardimaging.com

