



# LI-IMX267-MIPI



**Address:**

48820 Kato Road  
Suite 100B  
Fremont, CA 94538  
USA



**Phone:**

+1 (408)263-0988

**Fax:**

+1 (408)217-1960



**Sales:**

[sales@leopardimaging.com](mailto:sales@leopardimaging.com)

**Support:**

[support@leopardimaging.com](mailto:support@leopardimaging.com)

## INTRODUCTION

The LI-IMX267-MIPI is a global shutter camera with Sony 8.95MP, high sensitivity and low power consumption CMOS Image sensor IMX267 and 30-pin MIPI CSI-2 connector. This camera outputs 4112 x 2176 RAW data.

## KEY FEATURES

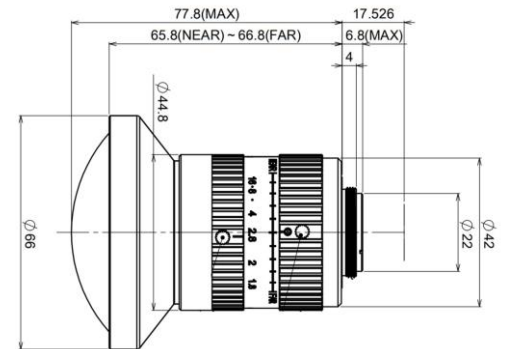
|                       |                                                  |
|-----------------------|--------------------------------------------------|
| Sensor                | Sony diagonal 16.1mm CMOS Image Sensor IMX267LQR |
| Optical format        | 1"                                               |
| Resolution            | 4112H x 2176V                                    |
| Pixel size            | 3.45um x 3.45um                                  |
| Data format           | Raw data                                         |
| Color/Mono            | Color sensor                                     |
| Shutter               | Global Shutter                                   |
| Lens                  | ML-U0618SR-18C (Optional)                        |
| Interface             | MIPI CSI-2                                       |
| Connector             | 20525-030E-02C                                   |
| Power consumption     | TBD                                              |
| Lens mount            | C - Mount                                        |
| Operating Temp        | -30 ~ +75°C                                      |
| Storage Temp          | -40 ~ +85°C                                      |
| Weight (without lens) | 24.5g ± 1g                                       |
| Size (without lens)   | 44mm x 38mm x 19.1mm                             |
| Part#                 | LI-IMX276-MIPI                                   |

## APPLICATIONS

- ITS cameras

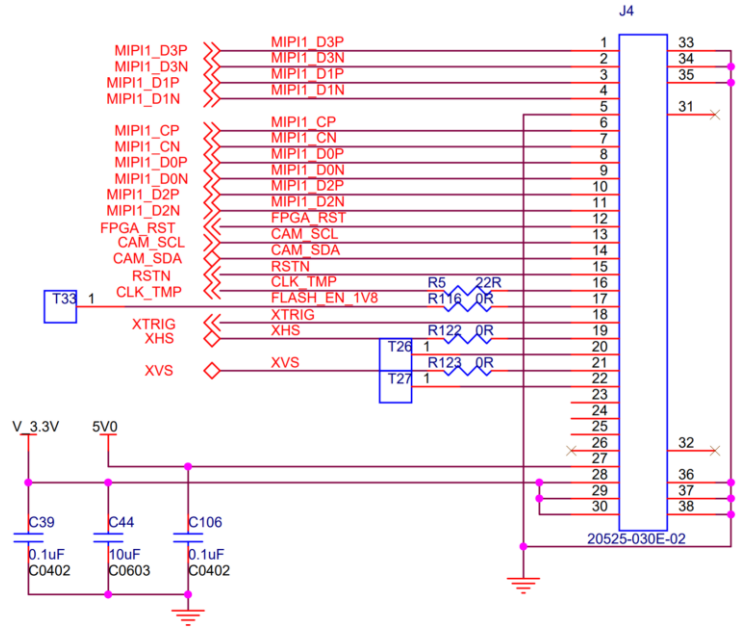
## LENS SPECIFICATIONS (OPTIONAL)

|               |                |
|---------------|----------------|
| Model         | ML-U0618SR-18C |
| Focal length  | 6 mm           |
| Aperture, F/# | 1.8 ~ 16       |
| FOV (H)       | 95.4°          |
| TTL           | 95.3mm         |
| TV Distortion | < 2.3%         |
| Mount         | C-Mount        |

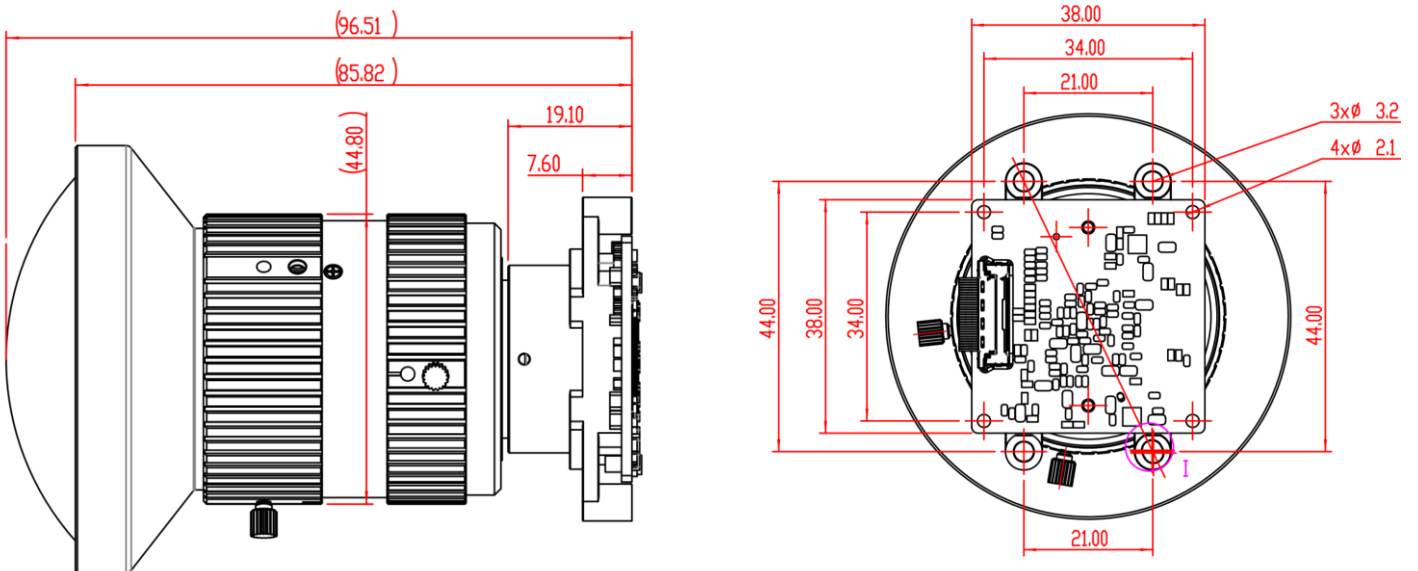


# INTERFACE

- Connector Part#: 20525-030E-02C
- Number of Positions: 30
- Pitch: 0.4mm
- Mating I-PEX cable: FAW1233-03 (300mm)
- FPGA included to convert LVDS to MIPI
- 37.125MHz Oscillator included to supply sensor input clock
- Sensor I2C address: 0x1A
- External power supply: 5V and 3.3V
- 3.3VA, 1.8V, 1.2V are generated from board

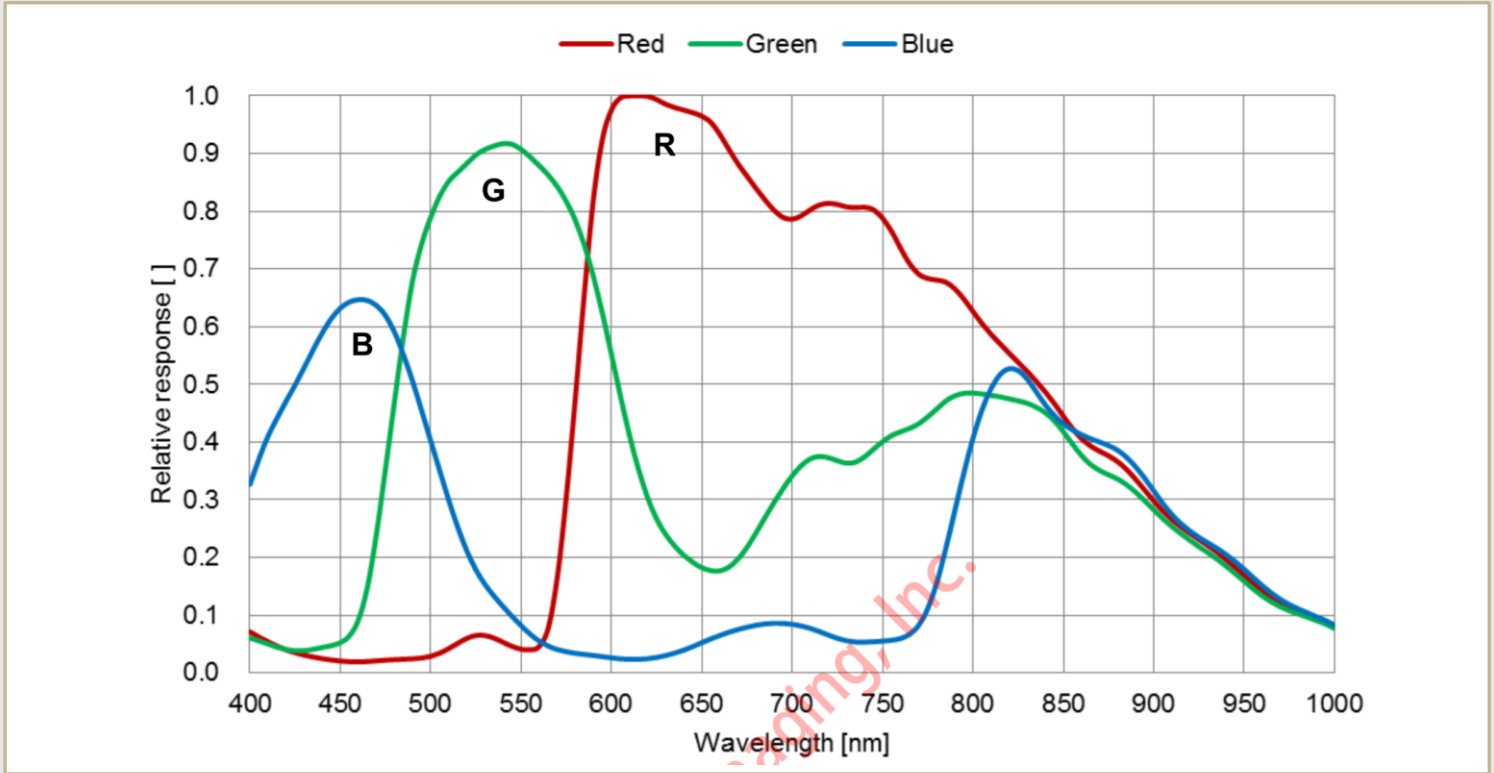


# DIMENSIONS (WITH OPTIONAL LENS)



# IMX267 Sensor Specifications

## SPECTRAL SENSITIVITY CHARACTERISTICS



## ABSOLUTE MAXIMUM RATINGS

| Item                              | Symbol            | Rating                        | Unit | Remarks          |
|-----------------------------------|-------------------|-------------------------------|------|------------------|
| Supply voltage (Analog 3.3 V)     | AV <sub>DD</sub>  | -0.3 to +4.0                  | V    |                  |
| Supply voltage (Interface 1.8 V)  | OV <sub>DD</sub>  | -0.3 to +3.3                  | V    |                  |
| Supply voltage (Digital 1.2 V)    | DV <sub>DD</sub>  | -0.3 to +2.0                  | V    |                  |
| Input voltage                     | VI                | -0.3 to OV <sub>DD</sub> +0.3 | V    | Not exceed 3.3 V |
| Output voltage                    | VO                | -0.3 to OV <sub>DD</sub> +0.3 | V    | Not exceed 3.3 V |
| Operating temperature             | T <sub>opr</sub>  | -30 to +75                    | °C   |                  |
| Storage temperature               | T <sub>stg</sub>  | -40 to +85                    | °C   |                  |
| Performance guarantee temperature | T <sub>spec</sub> | -10 to +60                    | °C   |                  |

## RECOMMENDED OPERATING CONDITIONS

| Item                             | Symbol           | Min. | Typ. | Max. | Unit |
|----------------------------------|------------------|------|------|------|------|
| Supply voltage (Analog 3.3 V)    | AV <sub>DD</sub> | 3.15 | 3.30 | 3.45 | V    |
| Supply voltage (Interface 1.8 V) | OV <sub>DD</sub> | 1.70 | 1.80 | 1.90 | V    |
| Supply voltage (Digital 1.2 V)   | DV <sub>DD</sub> | 1.10 | 1.20 | 1.30 | V    |

## ● REVISION HISTORY

| Revision | Description   | Release date  |
|----------|---------------|---------------|
| 1.0      | First Release | 20. Sep. 2020 |

48820 Kato Rd, Suite 100B, Fremont, CA 94538, USA

Phone: +1-408-263-0988

Fax: +1-408-217-1960

Email: [sales@leopardimaging.com](mailto:sales@leopardimaging.com)

Website: [www.leopardimaging.com](http://www.leopardimaging.com)

