



# LI-FPC22-IPEX-ONX



**Address:**

910 Auburn Ct  
Fremont, CA 94538  
USA



**Phone:**

+1 (408)263-0988

**Fax:**

+1 (408)217-1960



**Sales:**

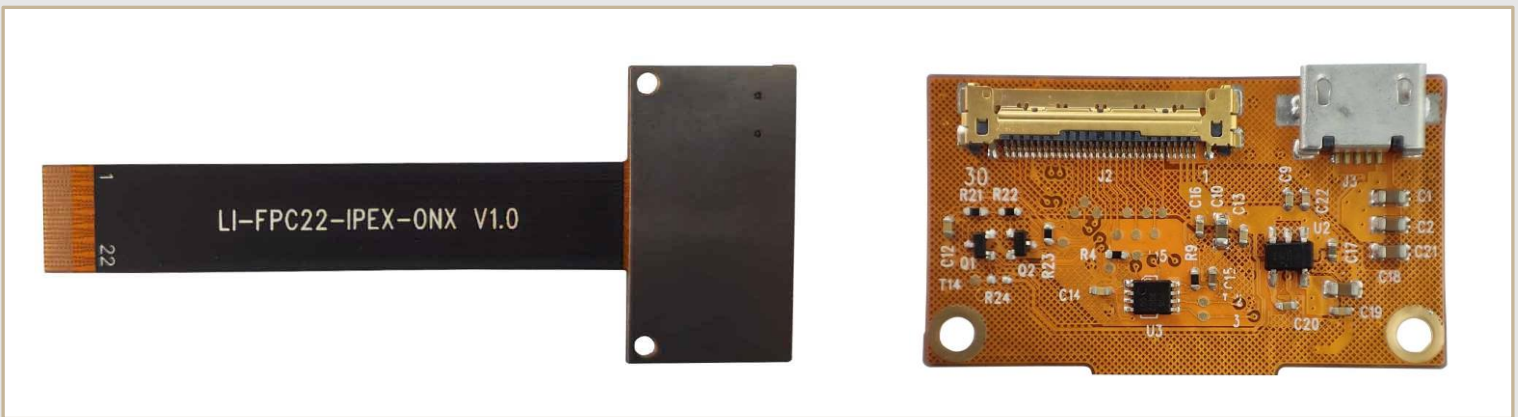
[sales@leopardimaging.com](mailto:sales@leopardimaging.com)

**Support:**

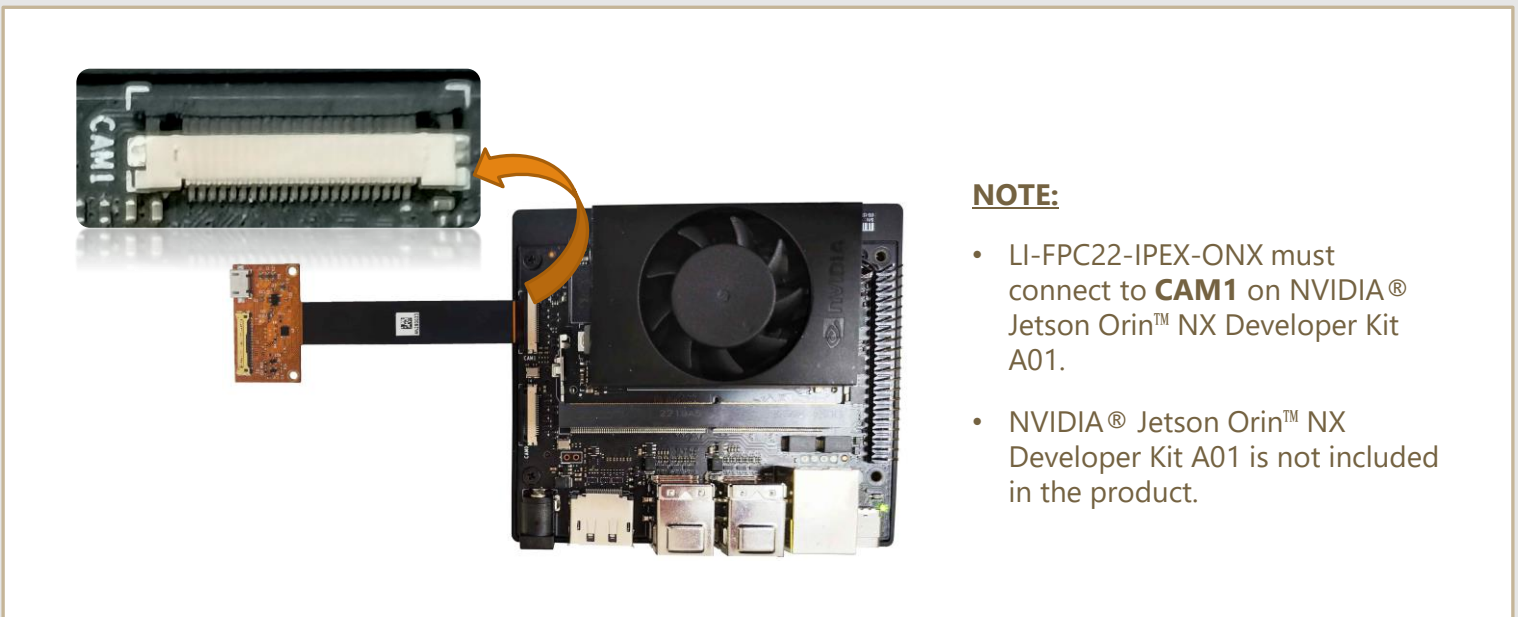
[support@leopardimaging.com](mailto:support@leopardimaging.com)

## TECHNICAL FEATURES

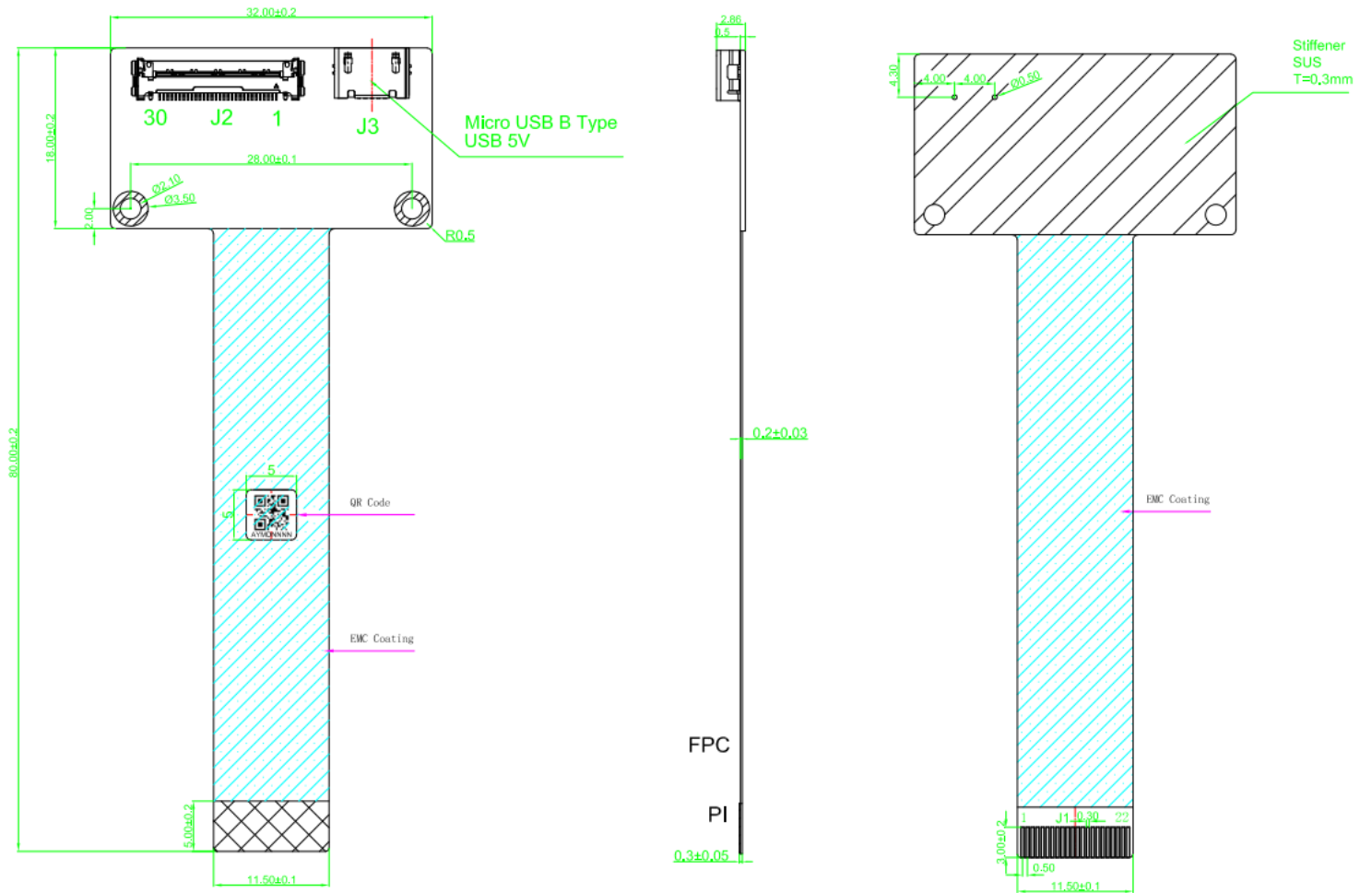
- Adapter board for NVIDIA® Jetson Orin™ NX Developer Kit A01
- Compatible with all Leopard Imaging IPEX cameras
- 1 x MIPI CSI-2 camera interface (4-lane)
- 1 x USB 2.0 Micro-B interface
- 1 x Gold Finger connector
- 1 x Gold Finger connector  
Mating connector: 54548-2271
- Dimensions: 80.0 (L) x 32.0 (W) mm
- Weight: ~ 2 g
- Part#: **LI-FPC22-IPEX-ONX**



## CABLING



# DIMENSIONS



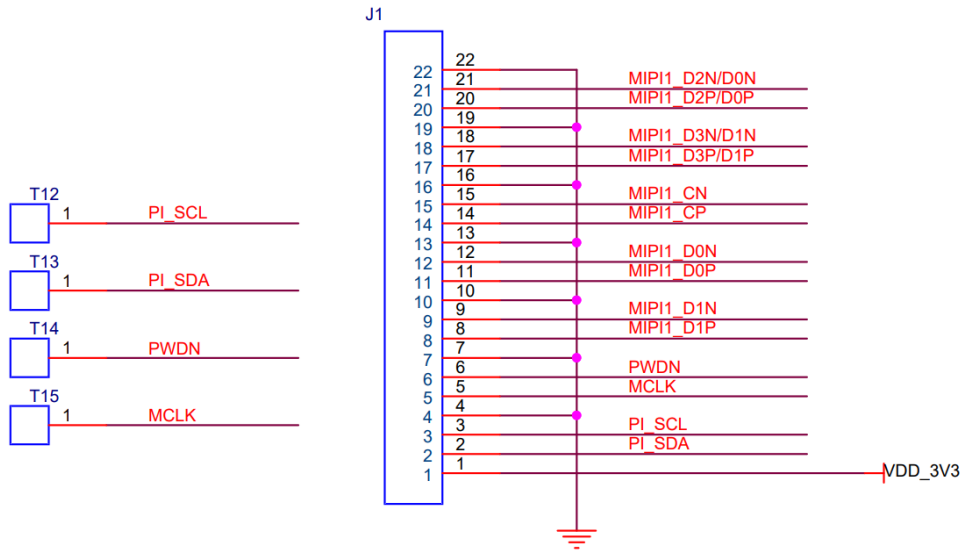
Unit: mm

## J1 & J2 PIN ASSIGNMENT

Interface J1		Interface J2	
1	VDD_3V3	1	VDD_3V3
2	PI_SDA	2	VDD_3V3
3	PI_SCL	3	VDD_3V3
4	GND	4	VDD_5V0
5	MCLK	5	NC
6	PWDN	6	NC
7	GND	7	NC
8	MIPI1_D1P	8	NC
9	MIPI1_D1N	9	TX1_GPIO3
10	GND	10	CAM_XHS
11	MIPI1_D0P	11	TX1_GPIO2
12	MIPI1_D0N	12	CAM_XVS
13	GND	13	CAM_TRIG
14	MIPI1_CP	14	FLASH_EN
15	MIPI1_CN	15	CLK_TMP
16	GND	16	CAM_RST
17	MIPI1_D3P/D1P	17	CAM_SDA
18	MIPI1_D3N/D1N	18	CAM_SCL
19	GND	19	TX1_GPIO1
20	MIPI1_D2P/D0P	20	MIPI1_D2N/D0N
21	MIPI1_D2N/D0N	21	MIPI1_D2P/D0P
22	GND	22	MIPI1_D0N
		23	MIPI1_D0P
		24	MIPI1_CN
		25	MIPI1_CP
		26	GND
		27	MIPI1_D1N
		28	MIPI1_D1P
		29	MIPI1_D3N/D1N
		30	MIPI1_D3P/D1P

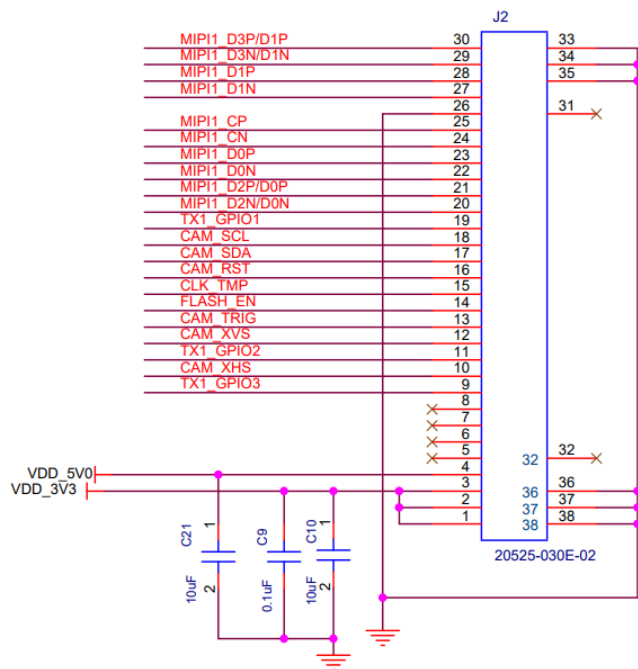
## INTERFACE J1 (Connector to Orin NX Developer Kit A01)

- Mating Connector: 54548-2271
- Number of Positions: 22
- Number of Rows: 1
- Pitch: 0.5 mm



## INTERFACE J2

- Part#: 20525-030E-02
- Number of Positions: 30
- Pitch: 0.4 mm
- Mating I-PEX Cable: FAW-1233-xx



## ● REVISION HISTORY

Revision	Description	Release Date
0.1	Initial draft.	28 Mar 2023

910 Auburn Ct, Fremont, CA 94538, USA  
Phone: +1 (408)263-0988  
Fax: +1 (408)217-1960  
Email: [sales@leopardimaging.com](mailto:sales@leopardimaging.com)  
Website: [www.leopardimaging.com](http://www.leopardimaging.com)

