



LEOPARD IMAGING INC

LI-AR0820-FPDLINKIII-xxxH

Data Sheet

Key Features

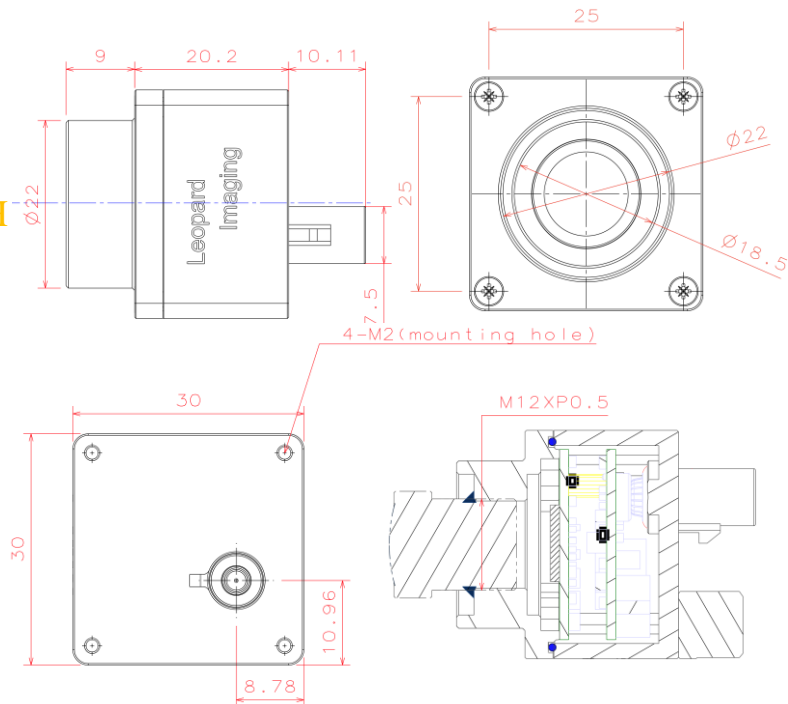
- ON SEMI AR0820 8.3M CMOS RCCB Sensor
- Optical format: 1/2"
- Number of active pixels: 3840H x 2160V
- Pixel size: 2.1 μm x 2.1 μm
- Output 12 bit Raw data
- Support 12V Power
- Lens: FOV H 60 / 110
- TI953 FPD-Link III serializer
- Connector: FAKRA Z TYPE
- Water proof: IP67
- Operation Temp: -40 ~ 85 °C
- Storage Temp: -40 ~ 125 °C
- Size: 30 x 30 x 29.2 mm
- Weight: 45 g
- Part#: **LI-AR0820-FPDLINKIII-xxxH**



Application

- High Performance ADAS (Automotive Driver Assistant System)
- Autonomous Driving

Dimensions

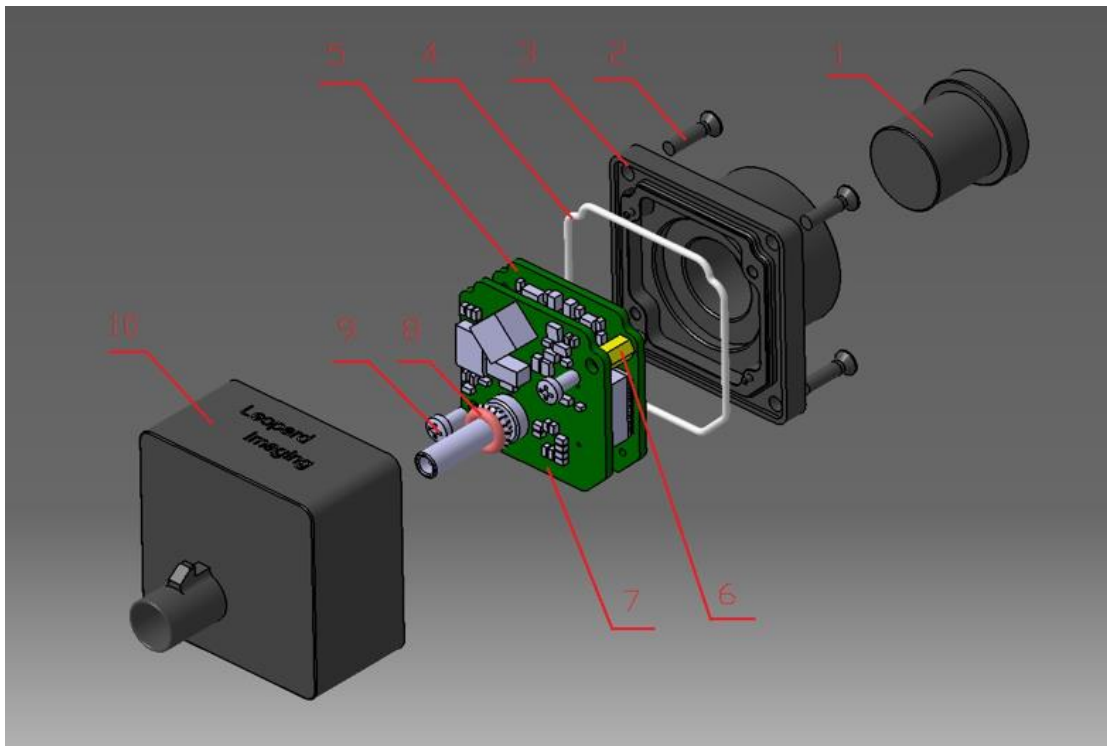


Leopard Imaging Inc.

48820 Kato Rd, Suite 100B, Fremont, CA 94538, USA
Phone: +1-408-263-0988
Fax: +1-408-217-1960
Email: sales@leopardimaging.com
Website: www.leopardimaging.com

BOM

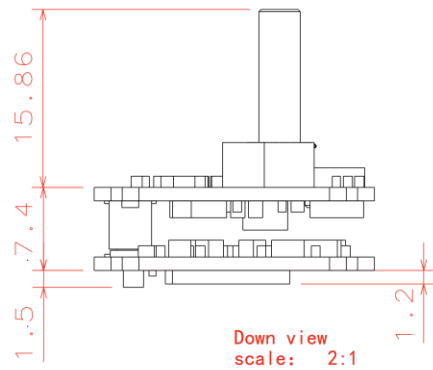
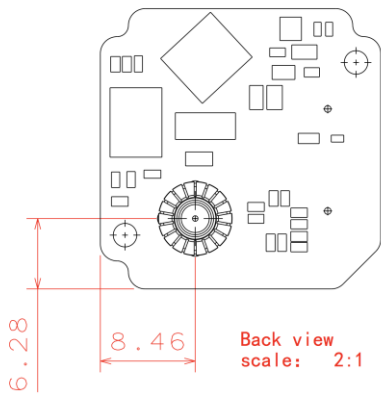
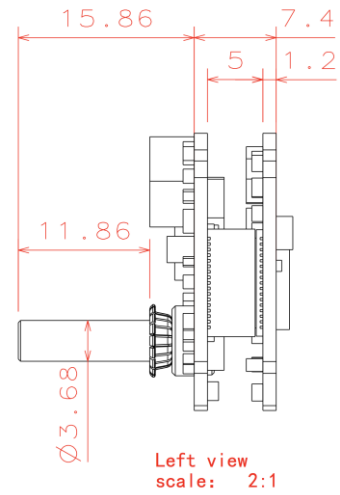
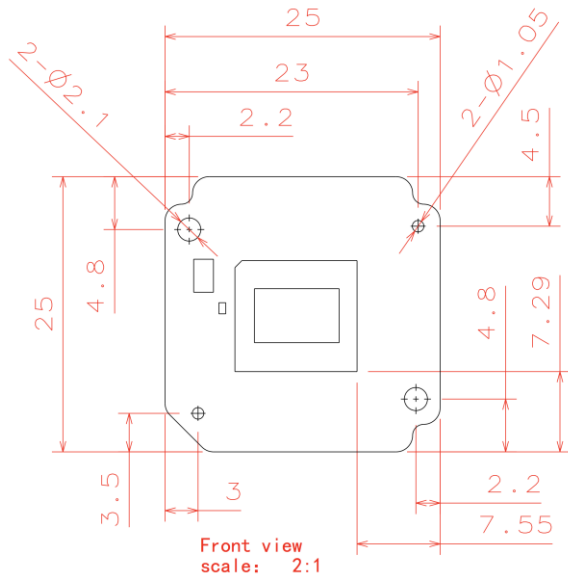
#	Name	SPEC	QTY/SET
1	Lens	M12 lens	1
2	Screw	M2*8 cross flat head black ZINC	4
3	Shell 2	AL6061-T6 BLACK Anodizing	1
4	Sealing ring	Silicon rubber, White	1
5	LI-AR0820-MIPI	AR0820 sensor board	1
6	Copper pillar	M2*5+3	2
7	LI-TI953-FKR	FPD-Link III serializer board	1
8	O ring	6.5*1.5 Silicon rubber Red	1
9	Screw	M2*4 cross pan head black ZINC	2
10	Shell 1	AL6061-T6 BLACK Anodizing	1



Leopard Imaging Inc.

48820 Kato Rd, Suite 100B, Fremont, CA 94538, USA
 Phone: +1-408-263-0988
 Fax: +1-408-217-1960
 Email: sales@leopardimaging.com
 Website: www.leopardimaging.com

Camera boards Dimensions



Leopard Imaging Inc.

48820 Kato Rd, Suite 100B, Fremont, CA 94538, USA
 Phone: +1-408-263-0988
 Fax: +1-408-217-1960
 Email: sales@leopardimaging.com
 Website: www.leopardimaging.com

Water Proof

- Metal Housing
- Water-proof M12 lens
- Sealed Gasket (White)
- Sealed O-ring (Red)

Note: The lens must be glued for water-proof.



Cable Connector

- Housing Connector- FAKRA Z Type
- Cable length: 3 meters
Support single Coax Cable transmit up to 12 meters
- Cable Part#: FAK-SMZSMZ-3M
- FAKRA type connectors



Leopard Imaging Inc.

48820 Kato Rd, Suite 100B, Fremont, CA 94538, USA
Phone: +1-408-263-0988
Fax: +1-408-217-1960
Email: sales@leopardimaging.com
Website: www.leopardimaging.com

Ordering Information

Part#: LI-AR0820-FPDLINKIII-xxxH

Note:

xxxH - 060H: FOV H 60°
110H: FOV H 110°

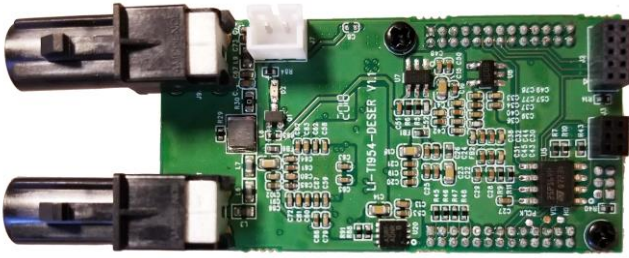
LI-AR0820-FPDLINKIII-060H	LI-AR0820-FPDLINKIII-110H
	
<p>Lens: DSL163 Lens EFL: 7.87 mm F/#: 1.8 FOV(D): 68° FOV(H): 59° FOV(V): 32.2° Water-proof: IP67</p>	<p>Lens: CAR-53 Lens EFL: 4.47 mm F/#: 1.6 FOV(D): 125.8° FOV(H): 109.6° FOV(V): 54.8° Water proof: IP67</p>



Leopard Imaging Inc.

48820 Kato Rd, Suite 100B, Fremont, CA 94538, USA
Phone: +1-408-263-0988
Fax: +1-408-217-1960
Email: sales@leopardimaging.com
Website: www.leopardimaging.com

LI-TI954-DESER



Front View

LI-USB30-CNTL



Back View

LI-AR0820-FPDLINKIII-xxxH can connect to USB 3.0 EVA module as a USB 3.0 camera.
Part#: **LI-USB30-AR0820-FPDLINKIII-xxxH**

Key Features

- USB 3.0 Super Speed support
- RAW data output without compression
- UVC compliance
- Provide customization services
- 12VDC Power Supply
- Weight: 86 g
- Single Coax Cable transmit up to 12 meter PoC(Power over Cable)
- Support 3840x2160@11fps
- Power consumption: Approx. 80mA at 12VDC
- Support Windows, Linux OS and other OS which include UVC drivers

SDK Supported

- Camera Tool Source Code in C#
- Capture & Display
- Save file as BMP & RAW format



Revision History

Revision	Description	Release Date
1.0	First Release	22. Aug. 2018
1.1	Update the 110H lens to CAR-53	29. Apr. 2019
1.2	Update the 060H lens to DSL163	8 Jul. 2020

