



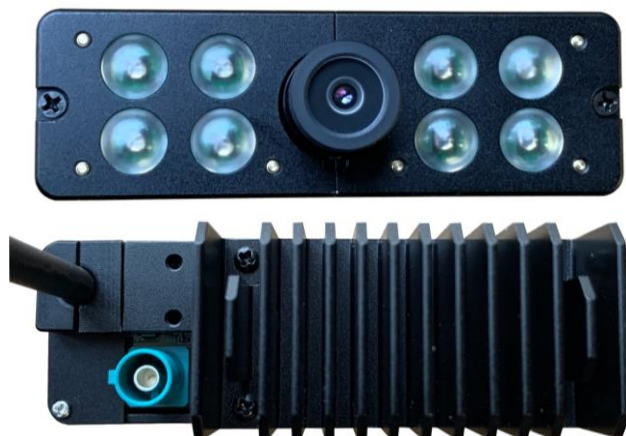
LEOPARD IMAGING INC

LI-AR0234YUV-GMSL2-QC

Data Sheet

Key Features

- ON SEMI 2.3 MP AR0234 Sensor
- Optical format: 1/2.6"
- Maximum resolution: 1920 (H) x 1200 (V)
- Pixel size: 3.0 x 3.0 μm
- 12-bit RAW output without compression
- Monochrome sensor
- Global shutter
- Lens: FOV H 92°
- Includes 930 nm ~ 960 nm band pass filter
- Includes eight 940 nm IR LEDs
- GMSL2 Serializer
- Connector: FAKRA Z TYPE
- Operation Temp:
 - 40°C ~ +105°C (ambient)
 - 40°C ~ +125°C (junction)
- Weight: 128.6g +/- 0.5g
- Part#: **LI-AR0234YUV-GMSL2-QC**



Application

- In Cabin Automotive
 - Gesture Recognition
 - Iris Scanning
 - HeadRoll
 - Eye Tracking
 - Augmented Reality

Lens Spec

- Model: HK-8205-H1
- Focal length: 3.6 mm
- Aperture, F/#: 2.0
- Built in 940 nm IR filter
- FOV (H): 92°
- Distortion: -45%
- Mount: M12 x 0.5

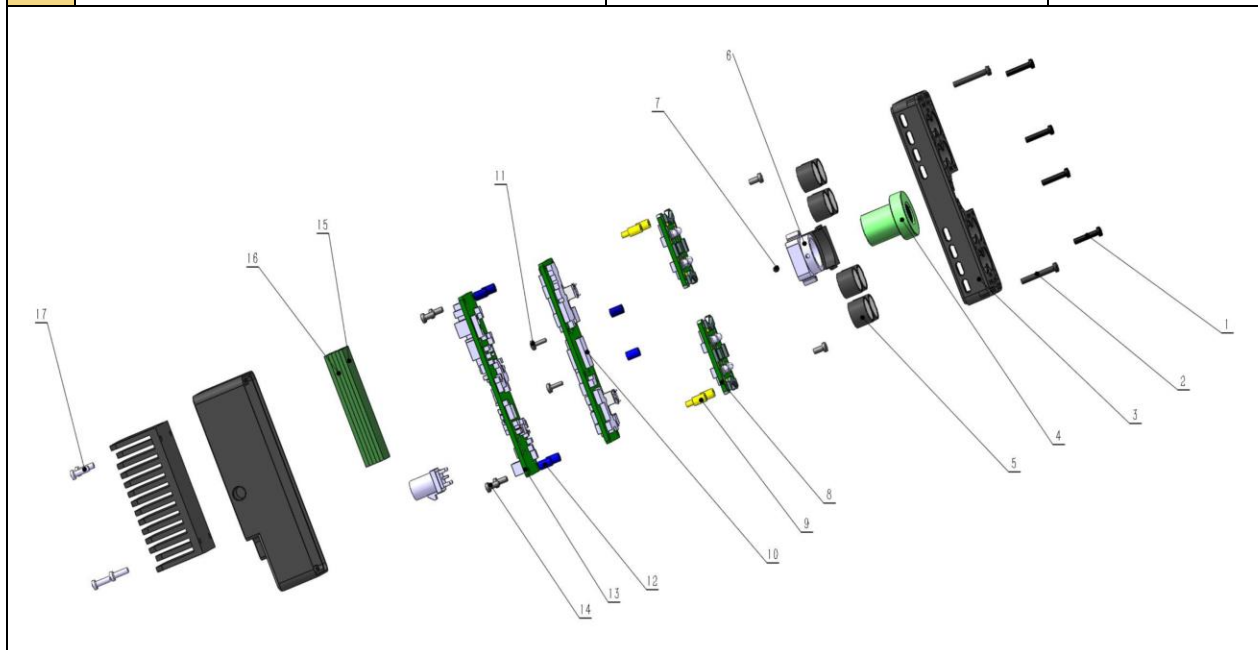


Leopard Imaging Inc.

48820 Kato Road, Suite 100B, Fremont, CA 94538, USA
Phone: +1-408-263-0988
Fax: +1-408-217-1960
Email: sales@leopardimaging.com
Website: www.leopardimaging.com

BOM

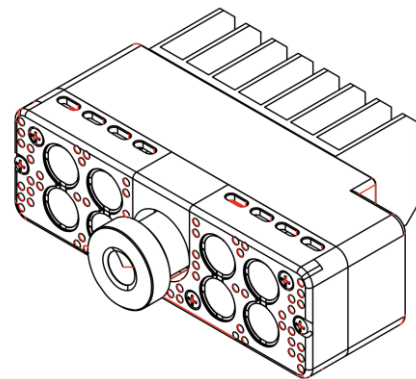
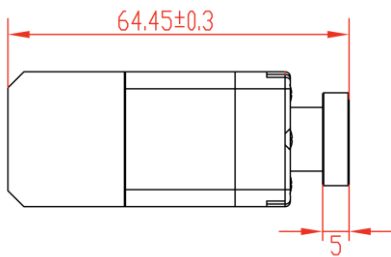
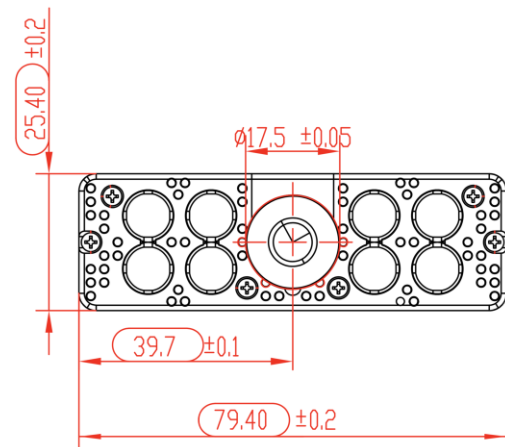
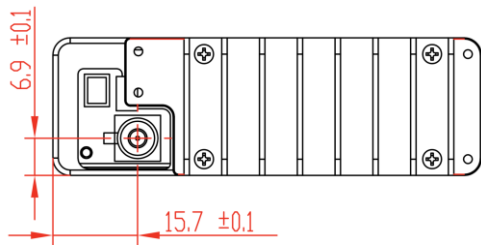
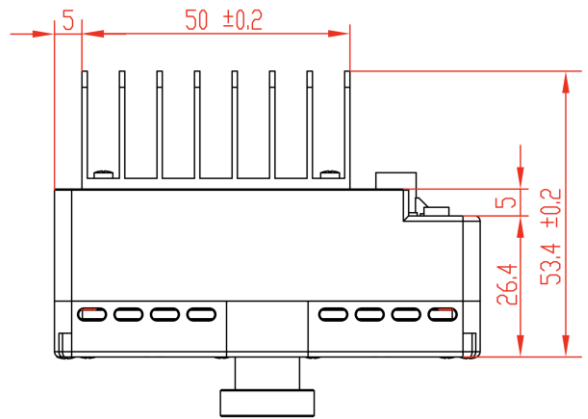
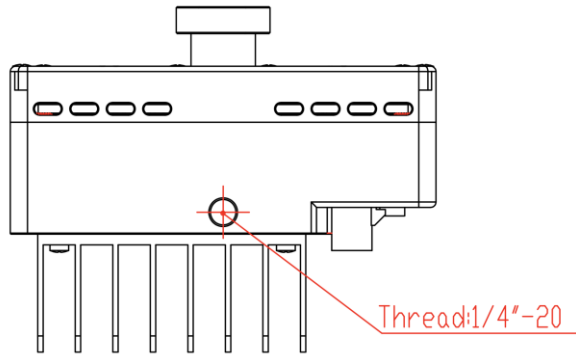
#	Material Number	Description	QTY/SET
1	10.02.S020080SA4DP	M2 x 10 screw	4
2	10.02.C020140PA4ZL	M2 x 14 screw	2
3	10.09.34QC90-00	Enclosure	1
4	08.01.HK-8205-H1-M12-PT-4	Lens	1
5	C12491_SIRI-DIFF	Diffuser	8
6	08.04.LI-M12-155-T-00	Lens holder	1
7	10.04.C020020HABD	M2 x 2 set screw for lens	1
8	LI-IRLED-950 V1.0	LED board	2
9	10.05.U020030GCPX	M2 x 5 + 3 standoff	4
10	LI-AR0234-MIPI-QC V1.0	Sensor board	1
11	10.02.C014050PR4NL	M1.4 x 5 screw, silver	2
12	10.05.U020050GCNX	M2 x 5 standoff	6
13	LI-GMSL2-CSLINK-QC V1.0	GMSL2 board	1
14	10.02.C020040PA4ZL	M2 x 4 screw	10
15	10.10.HSP8040015	Thermal pad	1



Leopard Imaging Inc.

48820 Kato Road, Suite 100B, Fremont, CA 94538, USA
 Phone: +1-408-263-0988
 Fax: +1-408-217-1960
 Email: sales@leopardimaging.com
 Website: www.leopardimaging.com

Dimensions



Leopard Imaging Inc.

48820 Kato Road, Suite 100B, Fremont, CA 94538, USA
 Phone: +1-408-263-0988
 Fax: +1-408-217-1960
 Email: sales@leopardimaging.com
 Website: www.leopardimaging.com

Cable Connector

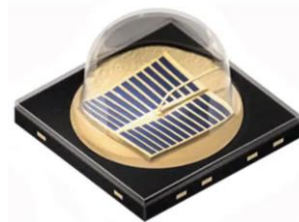
- Housing Connector- FAKRA Z Type
- Cable length: 3 meters
Supports single Coax Cable transmit up to 12 meters
- Cable Part#: FAK-SMZSMZ-3M
- FAKRA type connectors



IR LED

- Part#: SFH 4725S
- Wavelength: 940 nm
- Viewing Angle: 90°
- Operating Temperature: -40°C ~ +125°C (TA)
- Power supply: 12 VDC
- QTY on camera: 8

NOTE: Do not place this demo module within 0.2 meter from human eye to avoid the hazard by IR LED.



Leopard Imaging Inc.

48820 Kato Road, Suite 100B, Fremont, CA 94538, USA
Phone: +1-408-263-0988
Fax: +1-408-217-1960
Email: sales@leopardimaging.com
Website: www.leopardimaging.com

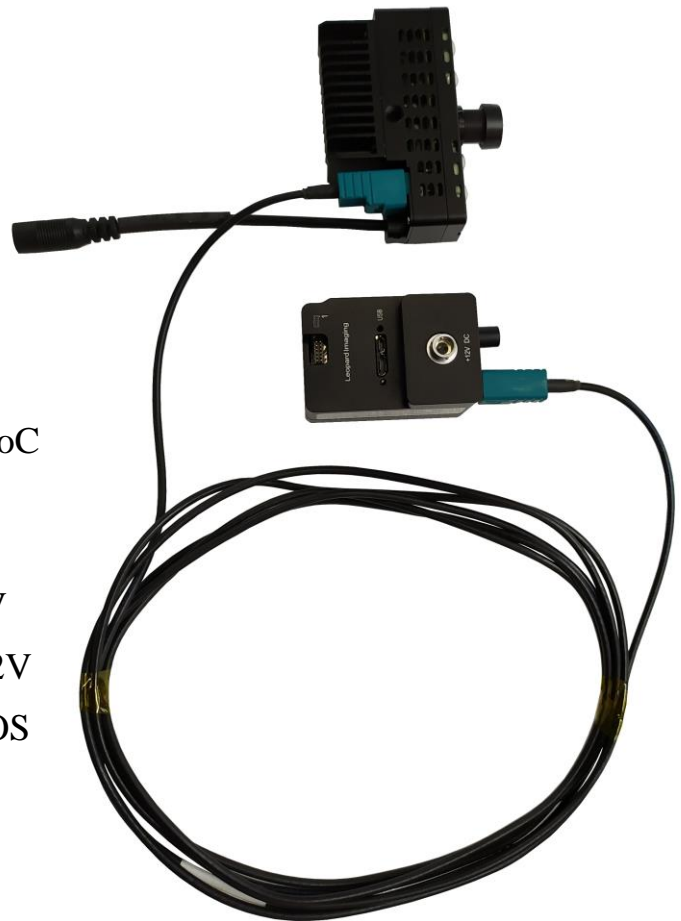
LI-GMSL2-USB-BOX



LI-AR0234YUV-GMSL2-QC can connect to LI-GMSL2-USB-BOX as a USB 3.0 camera.
Part#: [LI-USB30-AR0234YUV-GMSL2-QC](#)

Key Features

- USB 3.0 Super Speed support
- 12-bit RAW output without compression
- UVC compliant
- 12 VDC Power Supply for Camera
- 12 VDC Power Supply for LEDs
- Weight: 256g +/- 3 g
- Single Coax Cable transmits up to 12 meter PoC (Power over Cable)
- Supports 1920 x 1200 @ 30 fps
- Power consumption (LED): < 350 mA @ 12V
- Power consumption (Camera): < 85 mA @ 12V
- Compatible with Windows, Linux and other OS which have UVC drivers



SDK Supported

- Camera Tool Source Code in C#
- Capture & Display
- RAW to Grayscale conversion



Revision History

Revision	Description	Release Date
1.0	First Release.	15. Aug. 2019
1.1	Updated the LED diffuser and housing.	19. Dec. 2019
1.2	Added enclosure to LI-USB30-DESER-GMSL2.	30. Mar. 2020
1.3	Changed LED QTY from 4 to 8 and wavelength from 950 nm to 940 nm on the first page.	15. Dec. 2022



Leopard Imaging Inc.

48820 Kato Road, Suite 100B, Fremont, CA 94538, USA
Phone: +1-408-263-0988
Fax: +1-408-217-1960
Email: sales@leopardimaging.com
Website: www.leopardimaging.com