



LI-AR0233-GW5400-GMSL2-xxxH



Address:

48820 Kato Road
Suite 100B
Fremont, CA 94538
USA



Phone:

+1 (408)263-0988

Fax:

+1 (408)217-1960



Sales:

sales@leopardimaging.com

Support:

support@leopardimaging.com

INTRODUCTION

The LI-AR0233-GW5400-GMSL2-xxxH is equipped with ON SEMI 2.6MP automotive sensor AR0233AT, GEO Semiconductor GW5400 ISP and Maxim GMSL2 serializer MAX9295A/B. It is designed for automotive applications. This camera outputs YUV image data and supports HDR (High Dynamic Range).

KEY FEATURES

Sensor	ON SEMI 2.6MP CMOS Image Sensor AR0233AT
Optical Format	1/2.5"
Resolution	1920 (H) x 1080 (V) (Based on ISP binary)
Pixel Size	3.0 x 3.0 μm
Data Format	YUV output without compression
Color / Mono	Color sensor
ISP	GEO Semi GW5400
HDR (High Dynamic Range)	Supported
Lens	FOV H 60° / 120°
Serializer	Maxim MAX9295A/B
Frame Rate	60 fps @ 1920 x 1080
Power Supply Range	9 ~ 19 VDC
Connector	FAKRA Z TYPE
IP Rating	IP69K
Power Consumption	160 mA @ 12 VDC (60 fps @ 1920 x 1080)
Operating Temp	TBD
Storage Temp	TBD
Weight	~ 50 g
Part#	LI-AR0233-GW5400-GMSL2-xxxH

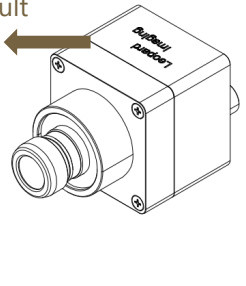
APPLICATIONS

- Automotive ADAS
- 1080P Video Applications
- ADAS + Viewing Fusion

DEFAULT IMAGING DIRECTION

- The logo "Leopard Imaging" is on the TOP.

Top (Default Imaging Direction)

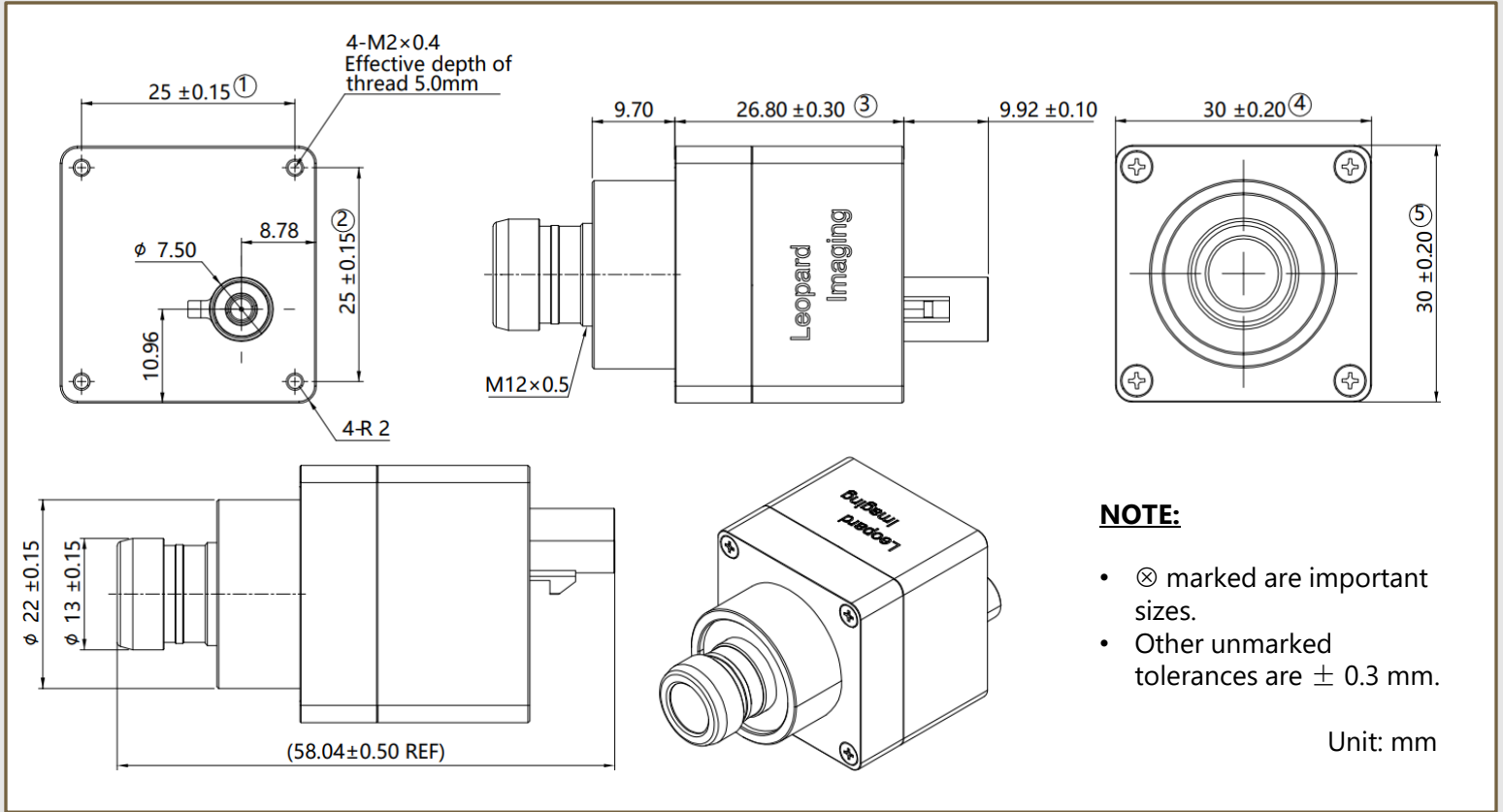


CABLE CONNECTOR

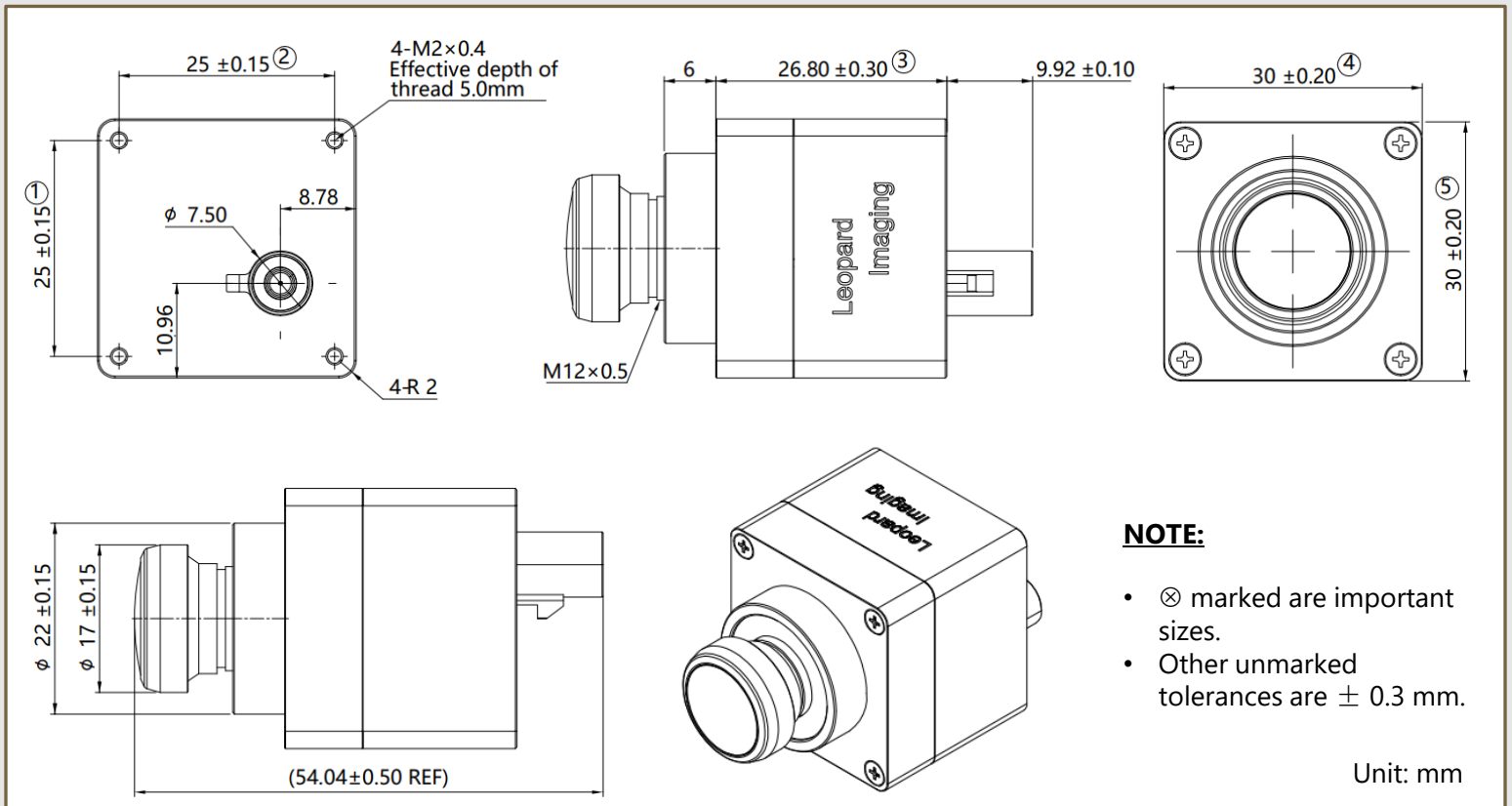
- Housing Connector: FAKRA Z Type
- Cable Length: 3 meters
- Cable Part#: FAK-SMZSMZ-3M



DIMENSIONS: LI-AR0233-GW5400-GMSL2-060H



DIMENSIONS: LI-AR0233-GW5400-GMSL2-120H



ORDERING INFORMATION

NOTE:

xxxH - 060H: FOV H 60° xxxH - 120H: FOV H 120°

LI-AR0233-GW5400-GMSL2-060H

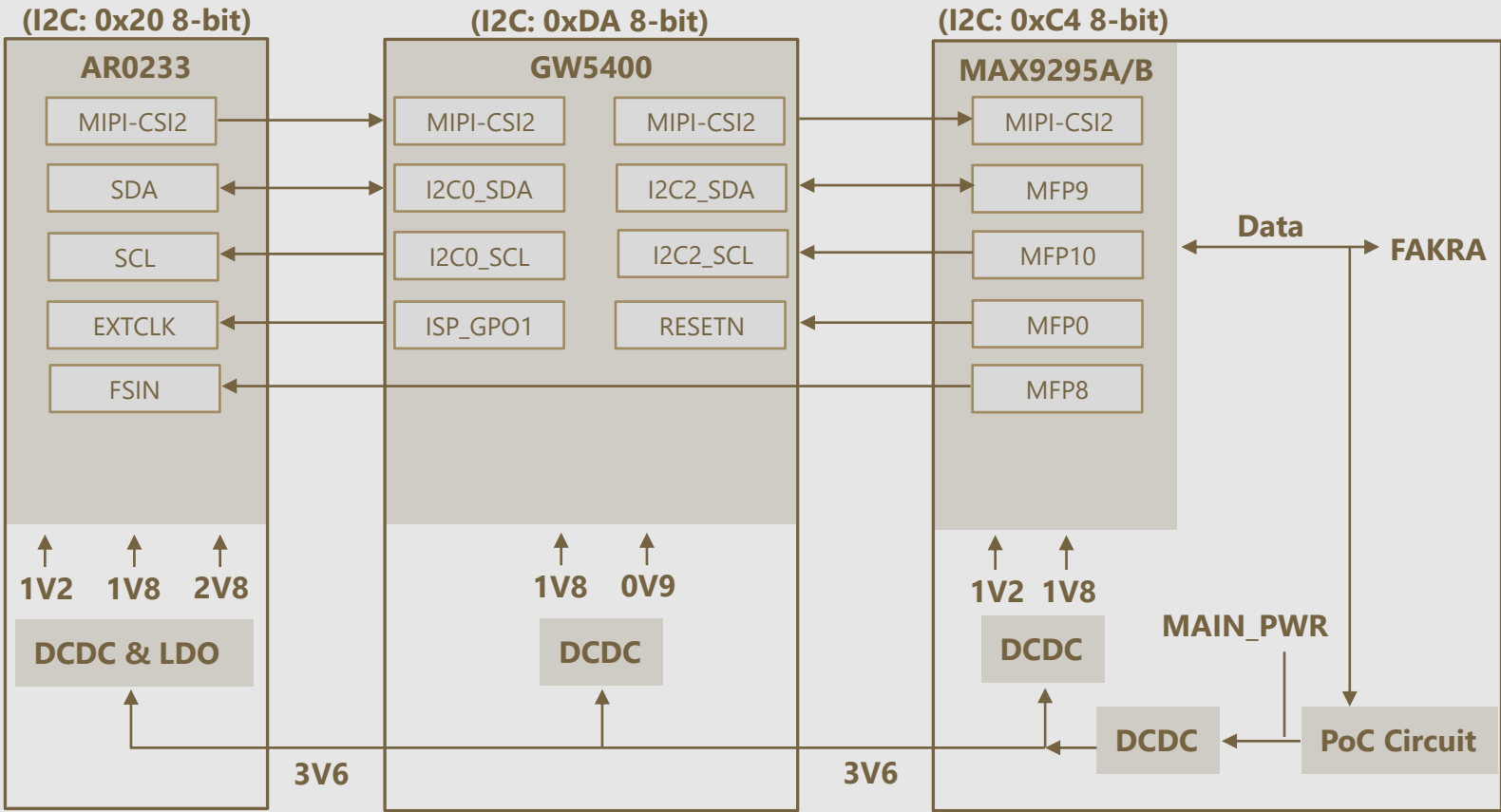


LI-AR0233-GW5400-GMSL2-120H



Lens EFL: 5.83 mm	Lens EFL: 2.914 mm \pm 5%
Aperture, F/#: 1.8	Aperture, F/#: 1.8 \pm 5%
Field of View (FOV): 72° (D) / 59.8° (H) / 34° (V)	Field of View (FOV): 140° (D) / 120.3° (H) / 65.3° (V)
Mount: M12	Mount: M12
Waterproof: IP69K	IP Rating: IP69K

BLOCK DIAGRAM



USB3.0 CAMERA KIT

LI-GMSL2-FP-USB-BOX



Front View



Side View

LI-AR0233-GW5400-GMSL2-xxxH can connect to LI-GMSL2-FP-USB-BOX as a USB 3.0 camera.

Part#: **LI-USB30-AR0233-GW5400-GMSL2-xxxH**

SPECIFICATIONS

- USB 3.0 Super Speed support
- UVC compliant
- Supports HDR
- Allows customization
- 12 VDC power supply for camera
- Weight: ~ 178 g
- Single Coax Cable transmits up to 12 meters PoC (Power over Cable)
- Resolution: 1920 x 1080 @ 60 fps
- Power consumption: 160 mA @ 12 VDC
- Compatible with Windows, Linux OS and other OS which have UVC drivers



BOM

#	Items	QTY
1	LI-AR0233-GW5400-GMSL2-xxxH	1
2	LI-GMSL2-FP-USB-BOX	1
3	3-Meter Fakra Cable	1
4	12 VDC Power Supply	1
5	USB3.0 Cable	1

SDK SUPPORTED

- Camera Tool Source Code in C#
- Capture & Display
- ISP Rom Update

● REVISION HISTORY

Revision	Description	Release Date
0.1	Initial draft.	17 Jul 2019
0.2	Changed 060H lens to LC033A.	05 Aug 2019
0.3	Removed 025H and 120H lenses.	15 Oct 2019
0.4	Added LC035 lens.	10 Dec 2019
0.5	Changed the USB3.0 Tester to FP version	30 Jan 2021
0.6	1. Replaced GW5200 with GW5400. 2. Added 2D dimensions for 060H camera and 120H camera. 3. Added "DEFAULT IMAGING DIRECTION" part. 4. Added Pinout Connections diagram.	14 Jul 2022

48820 Kato Rd, Suite 100B, Fremont, CA 94538, USA

Phone: +1-408-263-0988

Fax: +1-408-217-1960

Email: sales@leopardimaging.com

Website: www.leopardimaging.com

