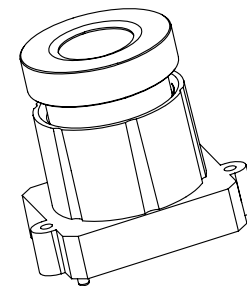
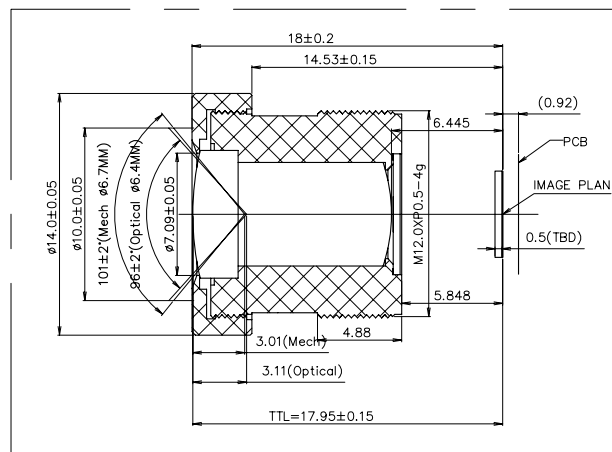
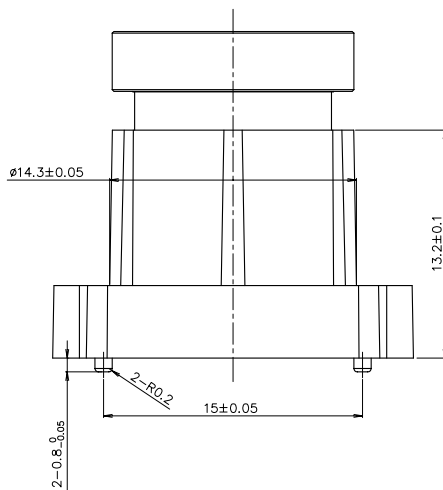
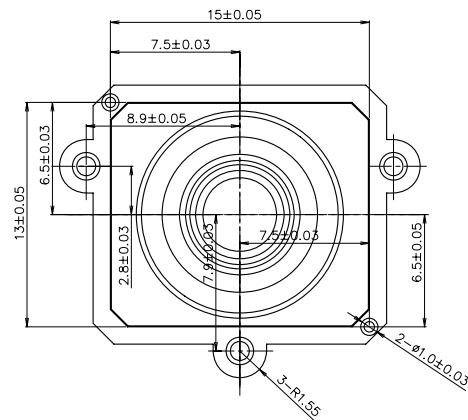
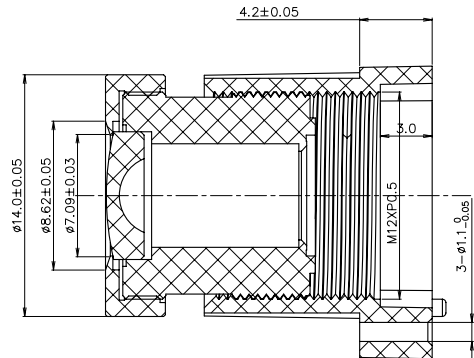
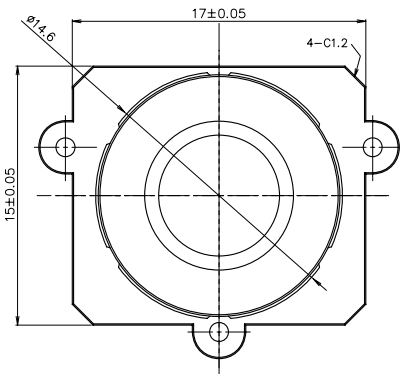


# LC001E-0530 SPECIFICATION

NO.	ITEM	CONTENT					
1	SENSOR	IMX122LQJ(2.43M 1/2.8" CMOS CSP)					
2	SENSOR SIZE	5.55mm(H)x3.43mm(V)x6.4mm(D)					
3	STRUCTURE	5 ELEMENT 5G					
4	TOTAL LENGTH	18±0.2mm(Including 0.4mm IR cut & 0.4mm Cover Glass)					
5	E.F.L	3.98±5%					
6	B.F.L	6.445mm(INFINITY)	Including 0.4mm IR cut & 0.5mm Cover Glass				
		6.455mm(1m)					
7	F.B.L	5.848mm(INFINITY)	Including 0.5mm Cover Glass				
		5.858mm(1m)					
8	F/No.	2.3±5%					
9	F.O.V	VERTICAL	50°(2Y'=3.43mm)				
		HORIZONTAL	82.4°(2Y'=5.55mm)				
		DIAGONAL	96°(2Y'=6.4mm)				
10	OPTICAL DISTORTION	<27.5%					
11	TV DISTORTION	<12%					
12	RELATIVE ILLUMINATION	>80%					
13	MAX IMAGE CIRCLE	ø7.0mm					
14	THERAD	M8xP0.35mm					
15	IR-CUT COATING FILTER (TBD)	λ=400nm~615nm TAVE>95% TMIN>90% λ=650±10nm TA=50% λ=665nm~1050nm TMAX<1.5% TAVE<0.5%					
16	BARREL MATERIAL	BSBM(BLACK)					
17	HOLDER MATERIAL						
18	CHIEF RAY ANGLE	Field	0.2	0.4	0.6	0.8	1.0
		Y'(mm)	0.64	1.28	1.92	2.56	3.2
		Angle	2.9°	5.75°	8.51°	11.1°	13.47°
19	ENTRANCE PUPIL DIAMETER	ø1.73					
20	ENTRANCE PUPIL POSITION	2.51					
21	EXIT PUPIL DIAMETER	ø5.49					
22	EXIT PUPIL POSITION	-12.6					



未注公差要求：X<3±0.03，X>3±0.05，角度允差：±0.5° 未注圆角R0.1  
注：法令、法规禁止物质使用不可；含有与Rohs指令抵触物质使用不可。

					 <b>江西联创电子有限公司</b> JIANGXI LIANCHUANG ELECTRONIC CO.,LTD					
标记	处数	区域	更改内容	担当时间	比例	1:1			页码	1/1
承认	审核	设计	制图	机种编号	LC001E-0530					
LC001					T1					