

Miniature 4K HDR Lens



Description

The DSL612 lens is a miniature 4K HDR lens designed for HDR or standard sensors up to 1/1.8" format size. The low F-number, thermal stability and Sunex LowGhost™ HDR characteristics make this lens ideal for security, wearable, drone and video-conferencing applications where high sharpness and environmental stability are required.

Key Features

- HFOV ~ 30° on 1/2" format sensors
- Sunex LowGhost™ HDR
- Excellent low light performance: F/2.0 aperture
- Compact Board-Mount size

Optical Specifications

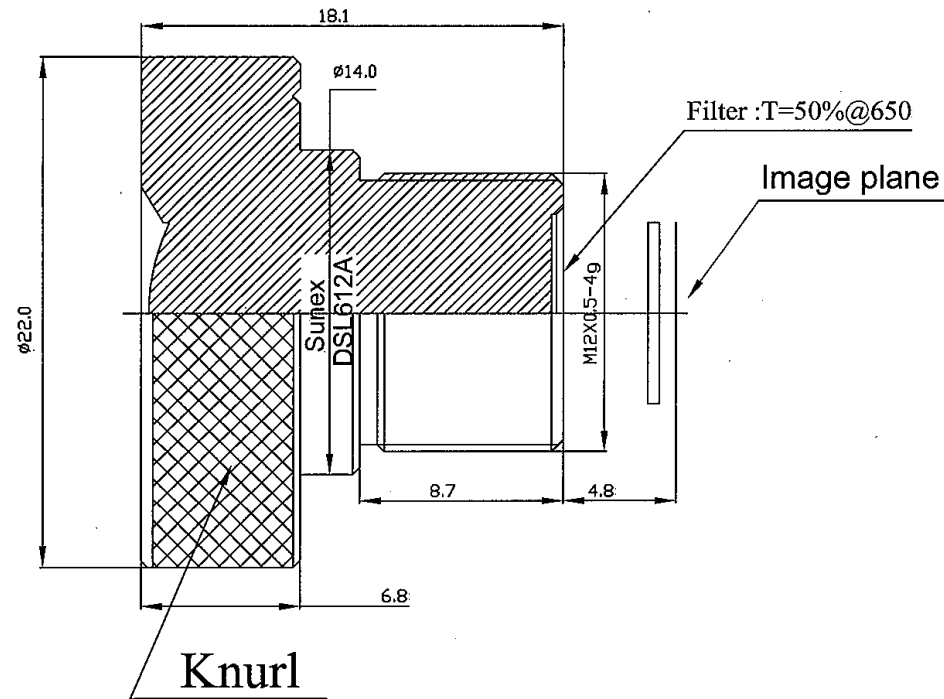
Sunex PN DSL612	
Description	4K HDR Lens
Imager Format	Up to 1/1.8"
Nominal Imager Resolution	8MP
Focal length	11.9mm
Relative Aperture (F/#)	2.0
Design Image Circle	8.8mm
Field of View	30° at 6.2mm image circle 40° at 8.0mm image circle
Total Track Length	22.4mm
Distortion	-4.8% rectilinear at 8.0mm image circle
Chief Ray Angle	14° at 8.0mm image circle, linear
IR cut-off filter	IR cutoff at 650nm optional

Applications

- Security and Surveillance cameras
- Wearable and Drone cameras
- Video Conferencing

DSL612A-650-F2.0 Mechanical Dimensions [mm]:

Note: DSL612A is intended for use with Sunex CMT821 or CMT822 mounts



DSL612A-NIR-F2.0 Mechanical Dimensions [mm]:

Note: DSL612A is intended for use with Sunex CMT821, or CMT822 mounts

