

Miniature 4K HDR Lens



Description

The DSL608 lens is a miniature 4K wide-angle, HDR lens designed for HDR or standard sensors up to 1/1.8" format size. The low F-number, thermal stability and Sunex LowGhost™ HDR characteristics make this lens ideal for security, wearable, drone and video-conferencing applications where high sharpness and environmental stability are required.

Key Features

- HFOV ~ 45° on 1/2" format sensors
- Sunex LowGhost™ HDR
- Excellent low light performance: F/2.0 aperture
- Compact Board-Mount size

Optical Specifications

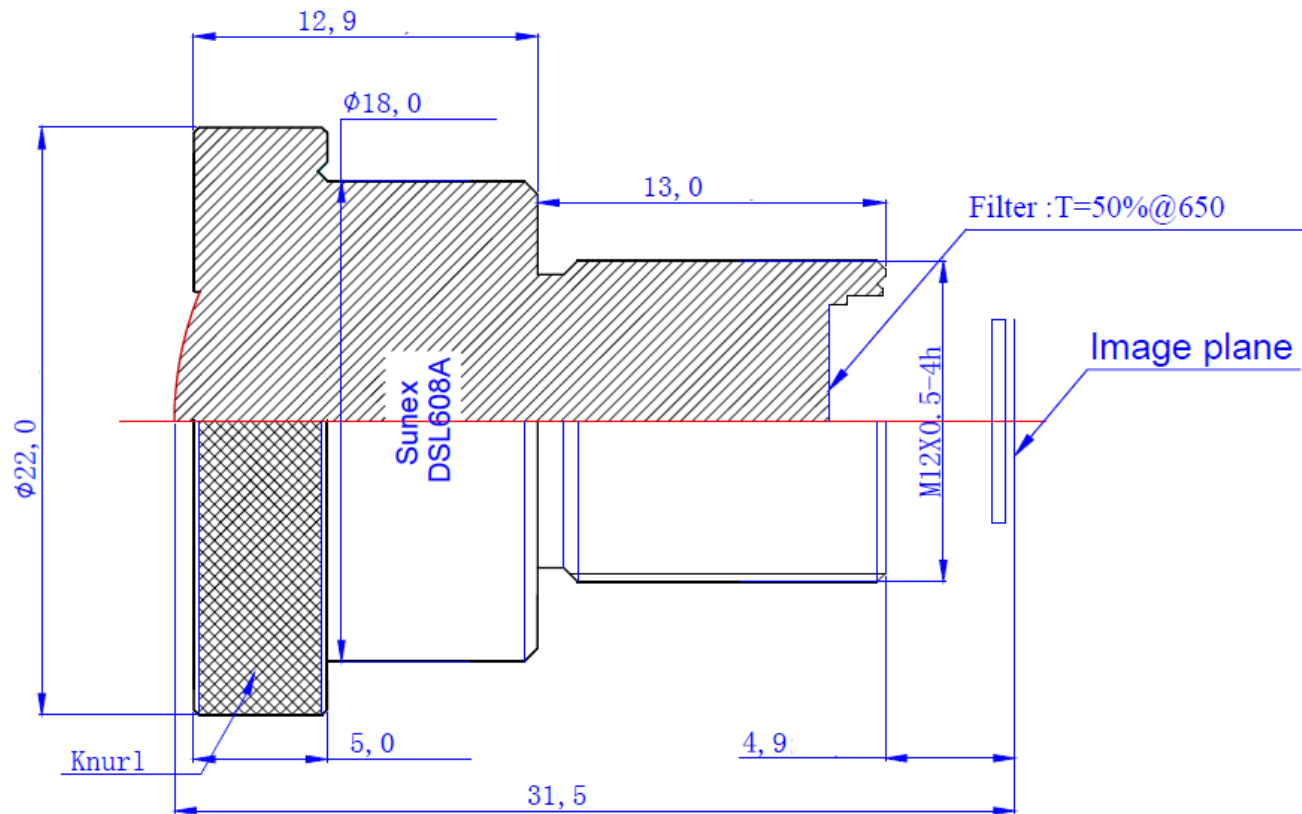
Sunex PN DSL608	
Description	4K HDR Lens
Imager Format	Up to 1/1.8"
Nominal Imager Resolution	8MP
Focal length	7.9mm
Relative Aperture (F/#)	2.0
Design Image Circle	8.8mm
Field of View	45° at 6.2mm image circle 60° at 8.0mm image circle
Total Track Length	31.0mm
Distortion	-8.6% rectilinear at 8.0mm image circle
Chief Ray Angle	12° at 8.0mm image circle, linear
IR cut-off filter	IR cutoff at 650nm optional

Applications

- Security and Surveillance cameras
- Wearable and Drone cameras
- Video Conferencing

DSL608A-650-F2.0 Mechanical Dimensions [mm]:

Note: DSL608A is intended for use with Sunex CMT103, CMT107, or CMT822 mounts



DSL608A-NIR-F2.0 Mechanical Dimensions [mm]:

Note: DSL608A is intended for use with Sunex CMT103, CMT107, or CMT822 mounts

