



LEOPARD
IMAGING

LI-VENUS-OX03H10-96717-195H



Address:

910 Auburn Ct
Fremont, CA 94538
USA



Phone:

+1 (408)263-0988

Fax:

+1 (408)217-1960



Sales:

sales@leopardimaging.com

Support:

support@leopardimaging.com

INTRODUCTION

The LI-VENUS-OX03H10-96717-195H is equipped with OmniVision's high-definition high dynamic range sensor OX03H10, which features TheiaCel™ technology for 140dB HDR and superior LED flicker mitigation. This module is paired with the ADI GMSL2 serializer MAX96717G, supporting video transmission over coaxial cables. This compact, automotive-grade design makes it ideal for surround-view systems, e-mirror, and industrial machine vision applications where image quality and signal integrity are critical.

SPECIFICATIONS

Maximum Frame Rate	60 fps @ 1920 x 1536
Sensor	OmniVision high-definition high dynamic range sensor OX03H10
Optical Format	1/2.44"
Resolution	1920 (H) x 1536 (V) (active pixels)
Pixel Size	3.0 x 3.0 μm
Output Format	uncompressed 24-bit, 20/16/14/12-bit (PWL) combined HDR (4 captures)
Color / Mono	Color sensor
HDR (High Dynamic Range)	Supported
LFM (LED Flicker Mitigation)	Supported
IP Rating	IP69K
Serializer	ADI GMSL2 MAX96717G
Power Supply Range	8 ~ 17 VDC
Connector	FAKRA Z TYPE
Power Consumption	83 mA @ 12 VDC (30 fps @ 1920 × 1536)
Operating Temp	TBD
Storage Temp	TBD
Weight	~ 35 g

APPLICATIONS

- Automotive
 - ◆ SVS
 - ◆ Rear View Camera
 - ◆ Autonomous Driving

LENS SPECIFICATIONS

Effective Focal Length	1.53 mm \pm 5%
Aperture, F/#	2.0 \pm 5%
Field of View (FOV)	195° horizontal
Optical Distortion	-127.5% (@5.76mm)
Relative Illumination	34% \pm 5% (@5.76mm)
IR Filter	650 nm IR cut filter
Lens Mount	M12 x P0.5



DIMENSIONS

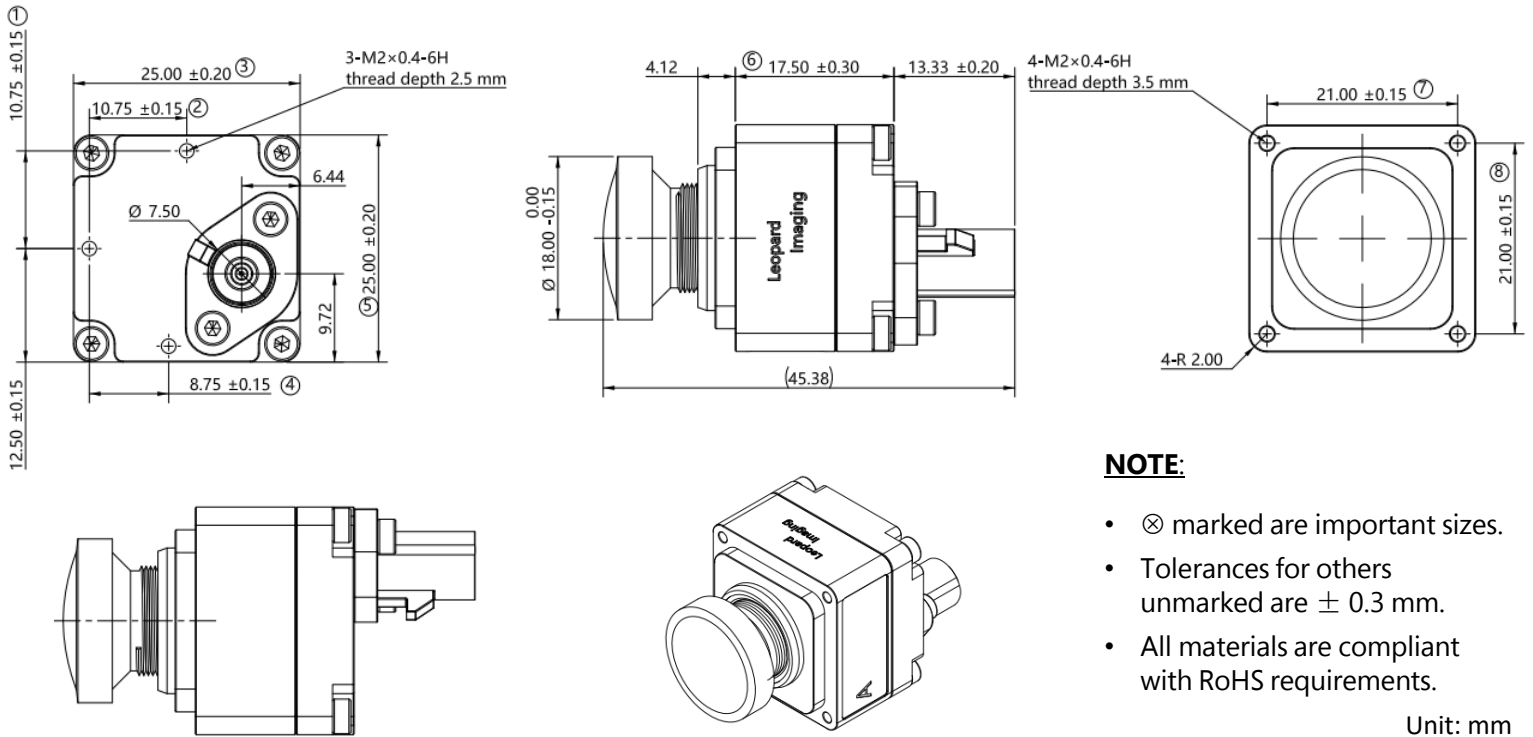


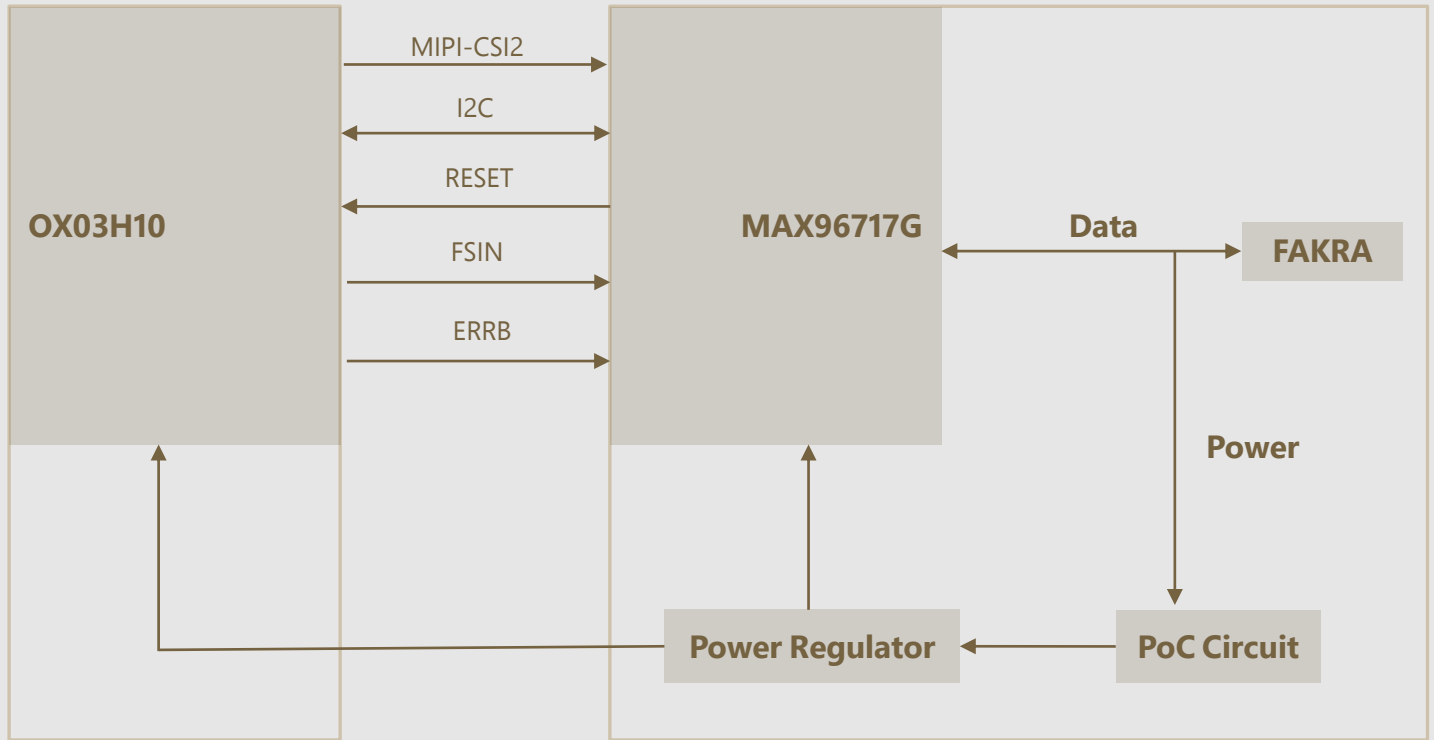
IMAGE ORIENTATION



SYSTEM BLOCK DIAGRAM

(I2C: 0x6C 8-bit)

(I2C: 0x84 8-bit)



USB3.0 CAMERA KIT

LI-GMSL2-USB



Top View



Bottom View

LI-VENUS-OX03H10-96717-195H can connect to LI-GMSL2-USB as a USB 3.0 camera.

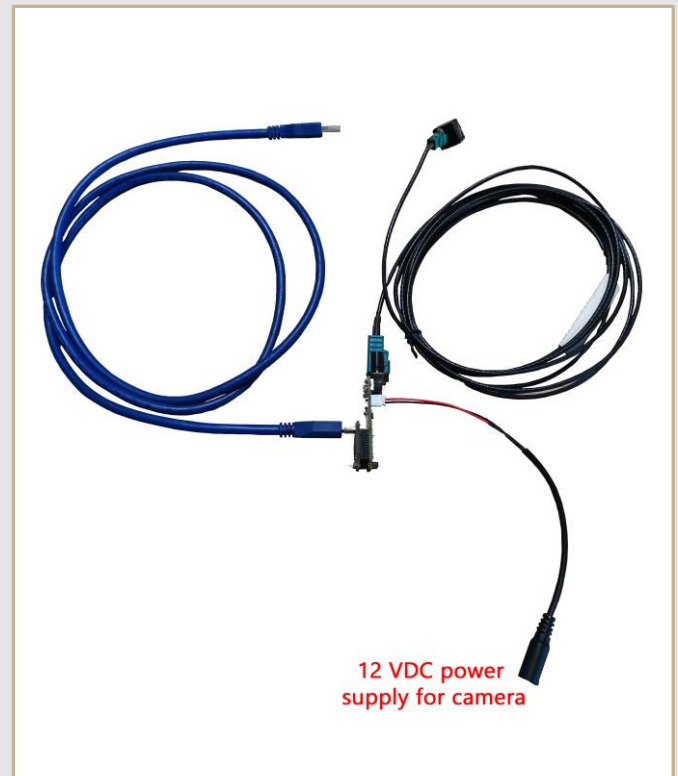
Part#: **LI-USB30-VENUS-OX03H10-96717-195H**

SPECIFICATIONS

- USB 3.0 Super Speed support
- UVC compliant
- Allows customization
- 12 VDC Power Supply for camera
- Weight: ~ 150 g
- Single Coax Cable transmits up to 12 meters PoC (Power over Cable)
- Resolution: 1920 x 1536 @ 30 fps
- Power consumption: 83 mA @ 12 VDC (camera only)
- Compatible with Windows, Linux OS and other OS which have UVC drivers

BOM

#	Items	QTY
1	LI-VENUS-OX03H10-96717-195H	1
2	LI-GMSL2-USB	1
3	3-Meter FAKRA Cable	1
4	12 VDC Power Supply	1
5	USB3.0 Cable	1



SDK SUPPORTED

- Camera Tool Source Code in C#
- Capture & Display
- Register Access Function

- REVISION HISTORY

Revision	Description	Release Date
0.1	Initial draft.	03 Jun 2026

910 Auburn Ct, Fremont, CA 94538, USA

Phone: +1 (408)263-0988

Fax: +1 (408)217-1960

Email: sales@leopardimaging.com

Website: www.leopardimaging.com

