



**LEOPARD**  
IMAGING

# LI-OX08D10-GM2B-120H-LCE



**Address:**

910 Auburn Ct  
Fremont, CA 94538  
USA



**Phone:**

+1 (408)263-0988

**Fax:**

+1 (408)217-1960



**Sales:**

[sales@leopardimaging.com](mailto:sales@leopardimaging.com)

**Support:**

[support@leopardimaging.com](mailto:support@leopardimaging.com)

## INTRODUCTION

The LI-OX08D10-GM2B-120H-LCE is equipped with OmniVision's 1/1.73" 8MP CMOS HDR RGGB sensor OX08D10, which features TheiaCel™ technology for superior LED flicker mitigation and low-light performance. The module is paired with the ADI GMSL2 serializer MAX96717G, supporting up to 6Gbps video transmission over coaxial cables. This compact, automotive-grade design makes it ideal for surround-view systems, autonomous driving perception, e-mirror applications, and other machine vision systems where high resolution, dynamic range, and signal integrity are critical.

## SPECIFICATIONS

Maximum Frame Rate	45 fps @ 3840 x 2160
Sensor	OmniVision 8MP CMOS HDR RGGB Sensor OX08D10
Optical Format	1/1.73"
Resolution	3840 (H) x 2160 (V) (active pixels)
Pixel Size	2.1 x 2.1 μm
Output Format	10-bit / 12-bit / 14-bit / 16-bit / 20-bit / 24-bit RAW
Color / Mono	Color sensor
HDR (High Dynamic Range)	Supported
LFM (LED Flicker Mitigation)	Supported
Serializer	Maxim MAX96717G
Power Supply Range	9 ~ 19 VDC
Connector	FAKRA Z TYPE
Waterproof	IP69K
Power Consumption	114 mA @ 12 VDC (3840 x 2160 @ 20 fps)
Operating Temp	-40°C ~ +85°C
Storage Temp	-40°C ~ +85°C
Weight	~ 42 g

## APPLICATIONS

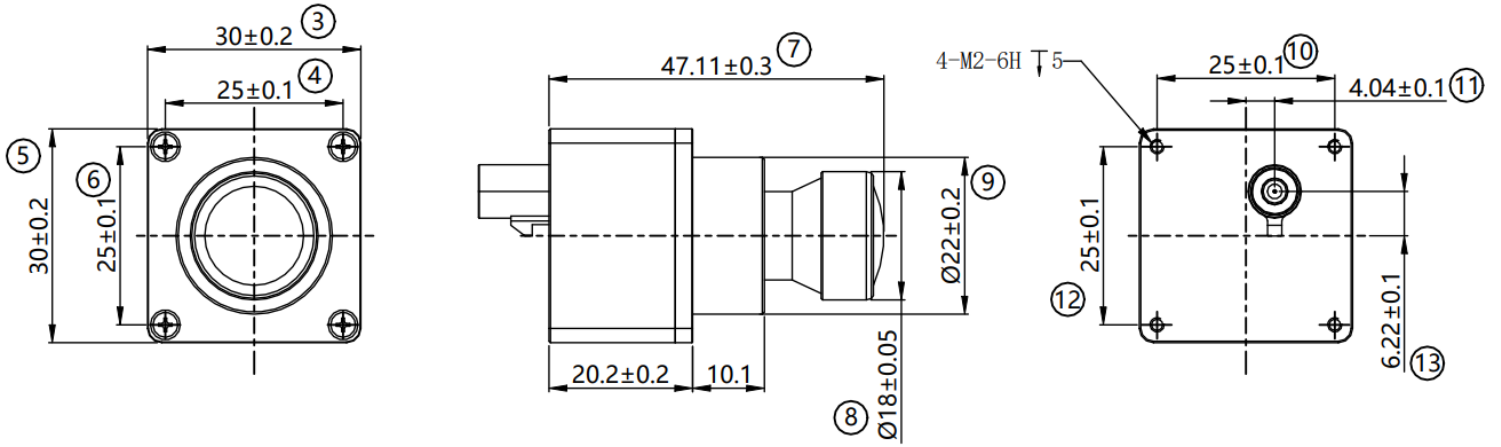
- Automotive
  - ◆ High Resolution Front Viewing
  - ◆ Machine Vision
  - ◆ Autonomous Driving
  - ◆ Assisted Driving
  - ◆ Digital Video Recording

## LENS SPECIFICATIONS

Focal Length	3.9 mm ± 2%
Aperture, F/#	1.6 ± 5%
Field of View (FOV)	120° horizontal
IR Cut Filter	650 nm IR cut filter
Lens Mount	M12 x P0.5



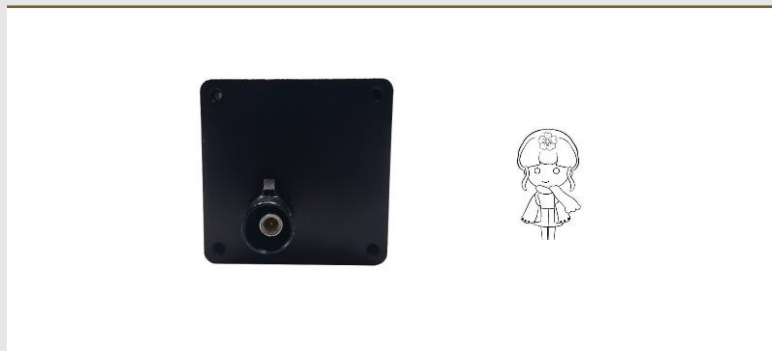
## DIMENSIONS



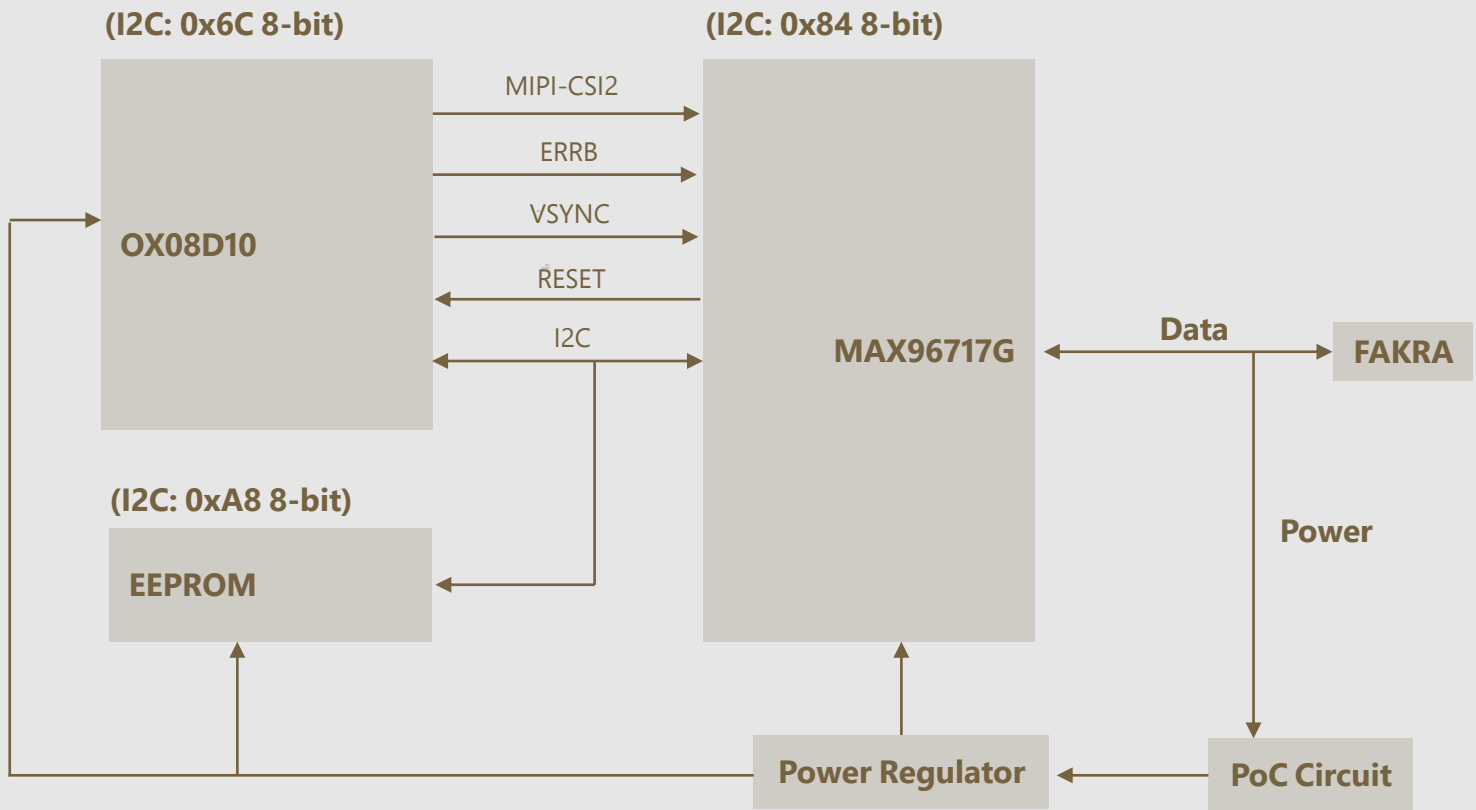
### NOTE:

- ⊗ marked are important sizes.
- Other unmarked tolerances are  $\pm 0.3$  mm.
- Unit: mm

## IMAGE ORIENTATION

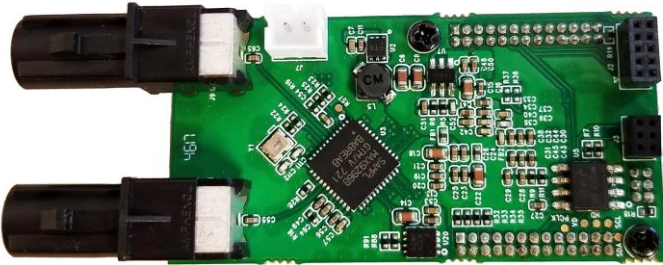


# SYSTEM BLOCK DIAGRAM

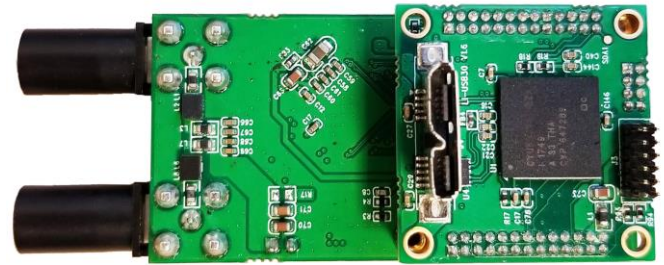


## USB3.0 CAMERA KIT

LI-GMSL2-USB



Top View



Bottom View

LI-OX08D10-GM2B-120H-LCE can connect to LI-GMSL2-USB as a USB 3.0 camera.

Part#: **LI-USB30-OX08D10-GM2B-120H-LCE**

### SPECIFICATIONS

- USB 3.0 Super Speed support
- UVC compliant
- Allows customization
- 12 VDC Power Supply for camera
- Weight: ~ 124 g (Without USB30 cable)
- Single Coax Cable transmits up to 12 meters PoC (Power over Cable)
- Resolution: 3840 x 2160 @ 20 fps
- Power consumption: 114 mA @ 12 VDC
- Compatible with Windows, Linux OS and other OS which have UVC drivers

### BOM

#	Items	QTY
1	LI-OX08D10-GM2B-120H-LCE	1
2	LI-GMSL2-USB	1
3	FAK-SMZSMZ-3M Cable	1
4	12 VDC Power Supply	1
5	USB3.0 Cable	1



12 VDC power supply for camera

### SDK SUPPORTED

- Camera Tool Source Code in C#
- Capture & Display
- Register Access Function

- REVISION HISTORY

Revision	Description	Release Date
1.0	First Release.	27 May 2026

910 Auburn Ct, Fremont, CA 94538, USA

Phone: +1 (408)263-0988

Fax: +1 (408)217-1960

Email: [sales@leopardimaging.com](mailto:sales@leopardimaging.com)

Website: [www.leopardimaging.com](http://www.leopardimaging.com)

