



LEOPARD
IMAGING

LI-ONO-BOX-GM2C-8CAM



Address:

910 Auburn Ct
Fremont, CA 94538
USA



Phone:

+1 (408)263-0988

Fax:

+1 (408)217-1960



Sales:

sales@leopardimaging.com

Support:

support@leopardimaging.com

INTRODUCTION

The LI-ONO-BOX-GM2C-8CAM includes NVIDIA Jetson 8GB / 4GB ORIN Nano SOM and De-Serializer carrier board with Maxim GMSL2 MAX96724. This product supports up to 8 GMSL2 cameras which are equipped with Maxim GMSL2 MAX96717 serializer.

KEY FEATURES

- NVIDIA Jetson 8GB / 4GB Orin Nano SOM: Included
 - GPU
 - ONO 8GB: NVIDIA Ampere architecture with 1024 NVIDIA CUDA® cores and 32 tensor cores
 - ONO 4GB: NVIDIA Ampere architecture with 512 NVIDIA CUDA® cores and 16 tensor cores
 - CPU
 - Six-core Cortex A78AE ARMv8.2 (64-bit) heterogeneous multi-processing (HMP) CPU architecture | 2x clusters (1x 4-core cluster + 128 KB L1 + 256KB L2 per core + 2MB L3) + 1x 2 core cluster (128 KB L1 + 256KB L2 per core + 2MB L3) | System Cache: 4 MB (shared across all clusters)
 - NVIDIA Deep Learning Accelerator: included
 - Memory
 - ONO 8GB: 8GB 128-bit LPDDR5 DRAM
 - ONO 4GB: 4GB 64-bit LPDDR5 DRAM
 - Storage
 - 1 x M.2 PCIe interface with 128GB SSD drive
 - 1 x SIM card interface
 - Multi-Stream HD Video and JPEG
 - Video Encode: H.265 (HEVC), H.264, VP9, AV1
 - Video Decode: 1080p30 Supported via CPU Cores with Software
- Ethernet: 10/100/1000M BASE-T Ethernet
- Options
 - WIFI & Bluetooth: Wi-Fi 2.4GHZ & 5GHz, BT 5.0
 - LTE: 4G or 5G
 - GNSS
- Camera: two Mini Quad FAKRA connectors supporting up to 8 cameras
- DeSerializer: Maxim MAX96724
- Power supply range: 9 ~ 48 VDC
 - Note:** 12 VDC in default and auto power on.
- Operating Temperature Range: -25°C ~ +60°C
- Weight: ~ 1041 g
- Allows customization
- Part# by default:

ONO 4GB: LI-ONO-BOX-GM2C-8CAM-4GB

ONO 8GB: LI-ONO-BOX-GM2C-8CAM-8GB

INTERFACES

- 2 x Mini Quad FAKRA connectors for camera connection
- 1 x HDMI connector
- 2 x USB Type-C interfaces
 - 1 x USB 3.0 Type-C (data)
 - 1 x USB 2.0 Type-C (flashing port)
- 1 x RS485 interface
- 1 x Power socket
- 1 x CAN interface
- 1 x RJ45 Gigabit Ethernet interface
- 5 x ANT interfaces (optional)
- STATUS and PWR LED indicators included
- Recovery, RST and PWR buttons included

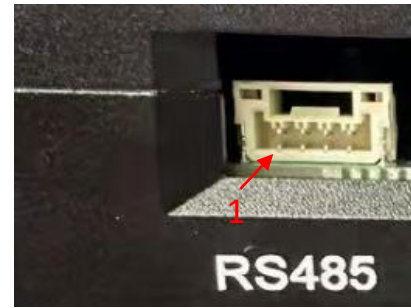
NOTE:

- The ANT interface is not used in default.



● INTERFACE OF RS485

- Part#: SM04B-GHS-TB
- Number of Positions: 4



● PINOUT DETAILS OF RS485

Pin No	Pin Name	Description	Pin Type	Voltage Level
1	A+	Differential output +	signal	-7V ~ 12V
2	B-	Differential output -	signal	-7V ~ 12V
3	Y+	Differential input +	signal	-7V ~ 12V
4	Z-	Differential input -	signal	-7V ~ 12V

● INTERFACE OF CAN

- Part#: SM04B-GHS-TB
- Number of Positions: 4

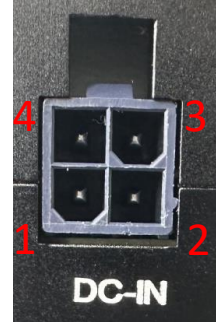


● PINOUT DETAILS OF CAN

Pin No	Pin Name	Description	Pin Type	Voltage Level
1	VCC_5V	Power supply	Power	5V
2	CAN_H	Differential Input/output +	signal	0V ~ 5V
3	CAN_L	Differential Input/output -	signal	0V ~ 5V
4	GND	GND	-	-

12V DC-IN


- Part#: 1724480004
- Number of Positions: 4



PINOUT DETAILS OF DC-IN

Pin No	Pin Name	Description	Pin Type	Voltage Level
1	VCC_12V	Power supply	Power	12V
2	VCC_12V	Power supply	Power	12V
3	GND	GND	-	-
4	GND	GND	-	-

INTERFACES OF INDICATOR

Interface	LED Indicator	
Logo	STATUS / PWR	
Description	<p>STATUS: Constant shining in default. Blinking = Something wrong.</p> <p>PWR: Constant shining after power on.</p>	

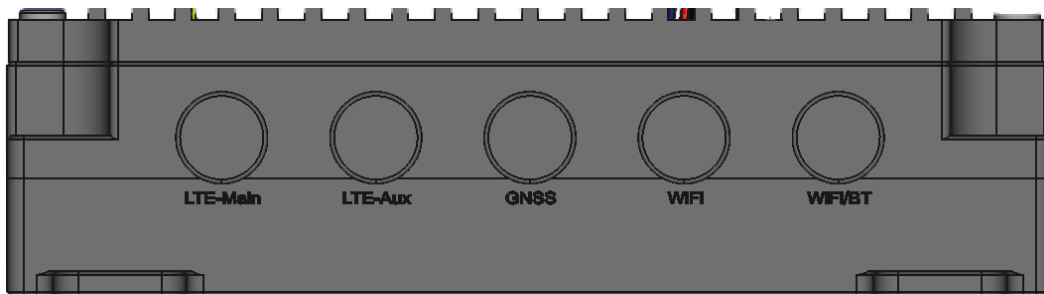
MINI Quad FAKRA Connector Interface

- Part#: 0-2304168-9//2304168-9
- Number of Positions: 4
- QUAD FAKRA cable plug Part#: 2298721-9
- Current Rating for each port: 600mA

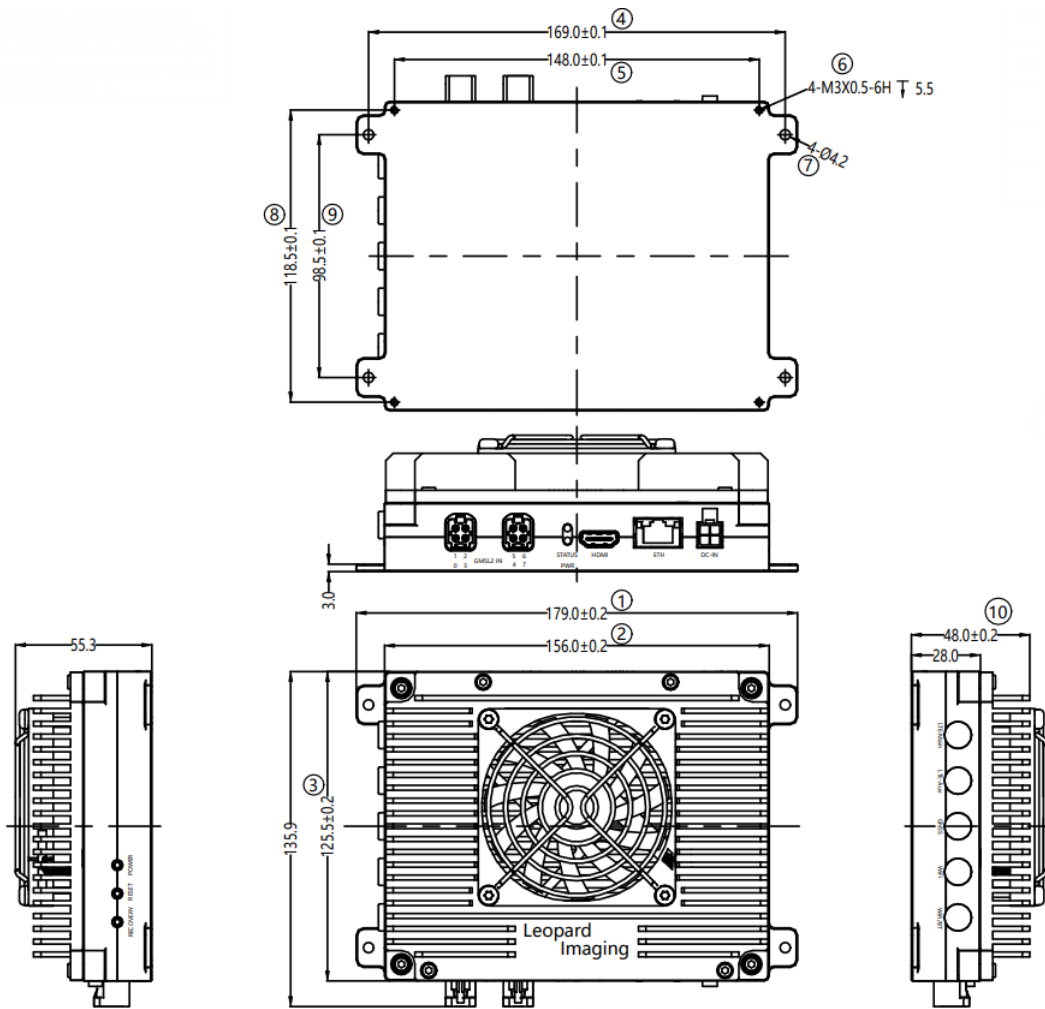


INTERFACES OF ANTENNA (Not used in default)

Interface	Antenna
Logo	LTE-Main, LTE-Aux, GNSS, WIFI, WIFI/BT
Connector type	SMA (Female)



DIMENSIONS



NOTE:

- ⊗marked are important sizes.
- Tolerances for others unmarked refer to the Tolerance table.
- Unit: mm

TOLERANCE TABLE					
LENGTH TOLERANCE		CHAMFER TOLERANCE		ANGLE TOLERANCE	
Size X	Tolerance	Size X	Tolerance	Size X	Tolerance
0.5 < X ≤ 3	±0.1	0.5 < X ≤ 3	±0.2	X ≤ 10	±1°
3 < X ≤ 6	±0.1	3 < X ≤ 6	±0.5	10 < X ≤ 50	±30'
6 < X ≤ 30	±0.2	6 < X ≤ 30	±1	50 < X ≤ 120	±20'
30 < X ≤ 120	±0.3	X > 30	±2	120 < X ≤ 400	±10'
120 < X ≤ 400	±0.5			X > 400	±5'
400 < X ≤ 1000	±0.8				
X > 1000	±1.2				

BOM By Default

#	Items	QTY	Unit
1	LI-ONO-BOX-GM2C-8CAM-4GB or LI-ONO-BOX-GM2C-8CAM-8GB	1	Piece
2	12 VDC power supply: 1 x 12V power adapter + 1 x cable adapter	1	Set

NOTE: The 12 VDC power supply is for testing only.

Ordering Information for Options

Part#: **LI-ONO-BOX-GM2C-8CAM-X-Y**

ORIN Nano SOM memory

- 4GB
- 8GB


Options

- A: LTE-Main, 4G
- B: LTE-Aux, 5G
- C: GNSS,GPS
- D: WIFI/BT, BT 5.0

NOTE:

The options can be combined freely. If you need, please contact sales.

Certificates

Certificates	 <p>CE and FCC certifications render assurance about safety, protection and product quality.</p>
---------------------	--

REVISION HISTORY

Revision	Description	Release Date
1.0	First Release.	04 Sep 2025
1.1	Added the note for BOM.	15 Sep 2025
1.2	Added the BOX operating temperature range.	24 Jan 2026
1.3	Added CE Certificates.	09 Jun 2026

910 Auburn Ct, Fremont, CA 94538, USA

Phone: +1-408-263-0988

Fax: +1-408-217-1960

Email: sales@leopardimaging.com

Website: www.leopardimaging.com

