



LEOPARD
IMAGING

LI-AR0827-FP4-070H



Address:

910 Auburn Ct
Fremont, CA 94538
USA



Phone:

+1 (408)263-0988

Fax:

+1 (408)217-1960



Sales:

sales@leopardimaging.com

Support:

support@leopardimaging.com

INTRODUCTION

The LI-AR0827-FP4-070H is a high resolution HDR color FAKRA camera optimized for ADAS systems and viewing applications. It features ONSEMI advanced automotive 8.3MP CMOS RGGGB image sensor AR0827, along with TI FPDLINK-IV serializer TI971. The camera supports a 4K HDR array with LED flicker mitigation, delivering 60 fps and up to 150 dB dynamic range, making it ideal for capturing scenes in both low light and extremely bright illumination.

SPECIFICATIONS

Frame Rate	45 fps @ 3840 x 2160
Output Format	10, 12, 16, 24 and 28-bit RAW data
HDR (High Dynamic Range)	Supported
LFM (LED Flicker Mitigation)	Supported
Sensor	ONSEMI AR0827 8.3MP CMOS RGGGB Sensor
Optical Format	1/1.8"
Pixel Size	2.1 x 2.1 μ m
Color / Mono	Color
Resolution	3840 (H) x 2160 (V) (active pixels)
Serializer	TI FPDLINK-IV TI971
Connector	FAKRA Z TYPE
Power Supply Range	9 ~ 19 VDC
Power Consumption	130 mA @ 12 VDC (15 fps @ 3840 \times 2160)
Operating Temp	TBD
Storage Temp	TBD
Ingress Protection	IP67
Weight	~50 g

APPLICATIONS

- Automotive Front Camera (ADAS)
- Mirror Replacement (CMS)
- ADAS + Viewing Fusion
- High Dynamic Range Imaging
- Surround View + Sensing
- In-Cabin Occupancy Monitor

LENS SPECIFICATIONS

Effective Focal Length	6.7 \pm 0.15 mm
Aperture, F/#	1.65 \pm 0.15
Field of View (FOV)	70° horizontal
IR Filter	660 nm IR cut filter
Lens Mount	M14 x P0.5



DIMENSIONS

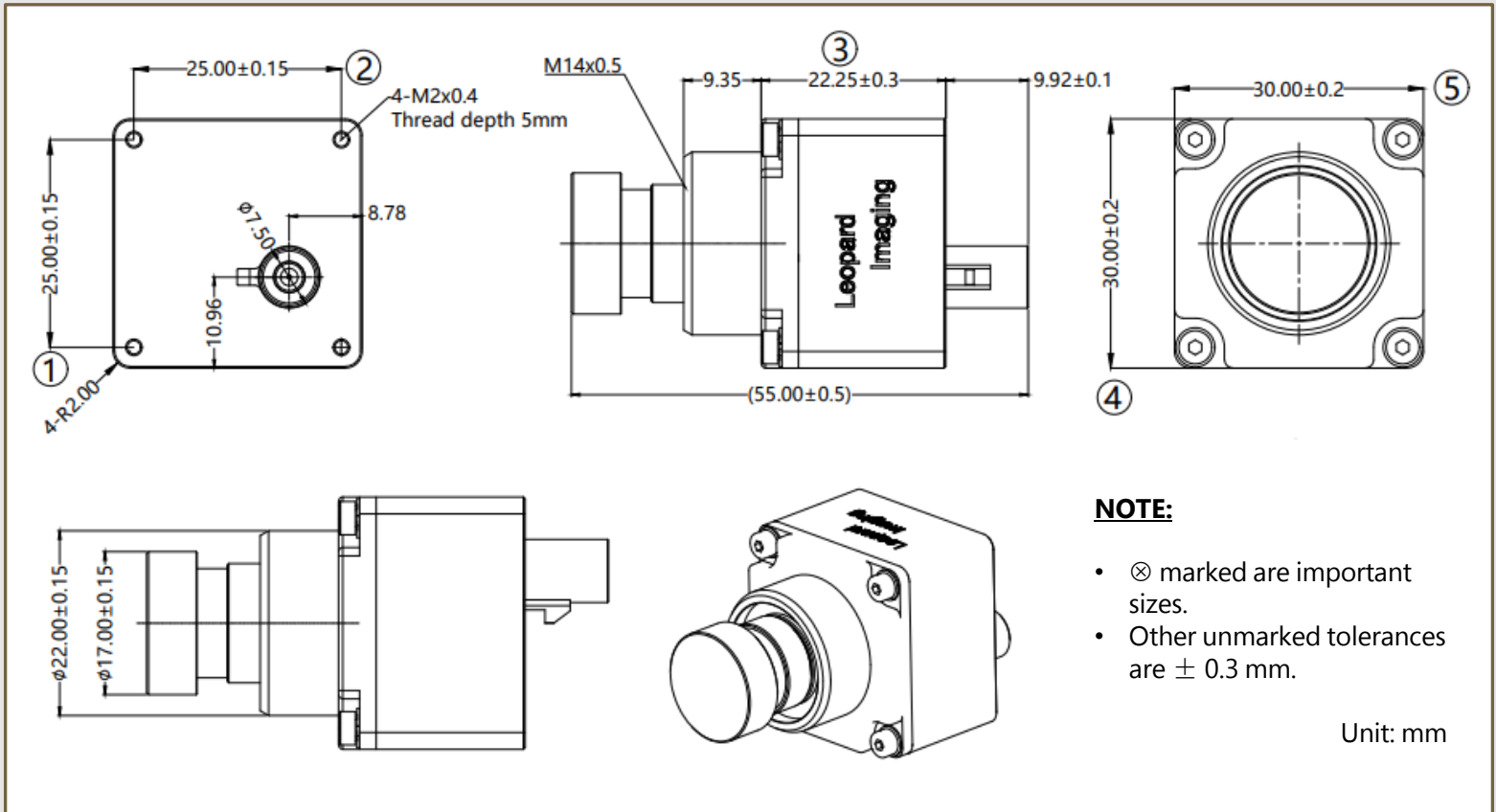
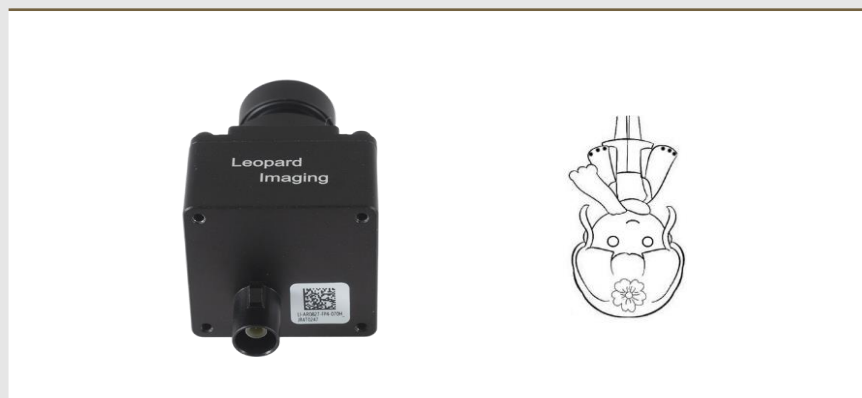
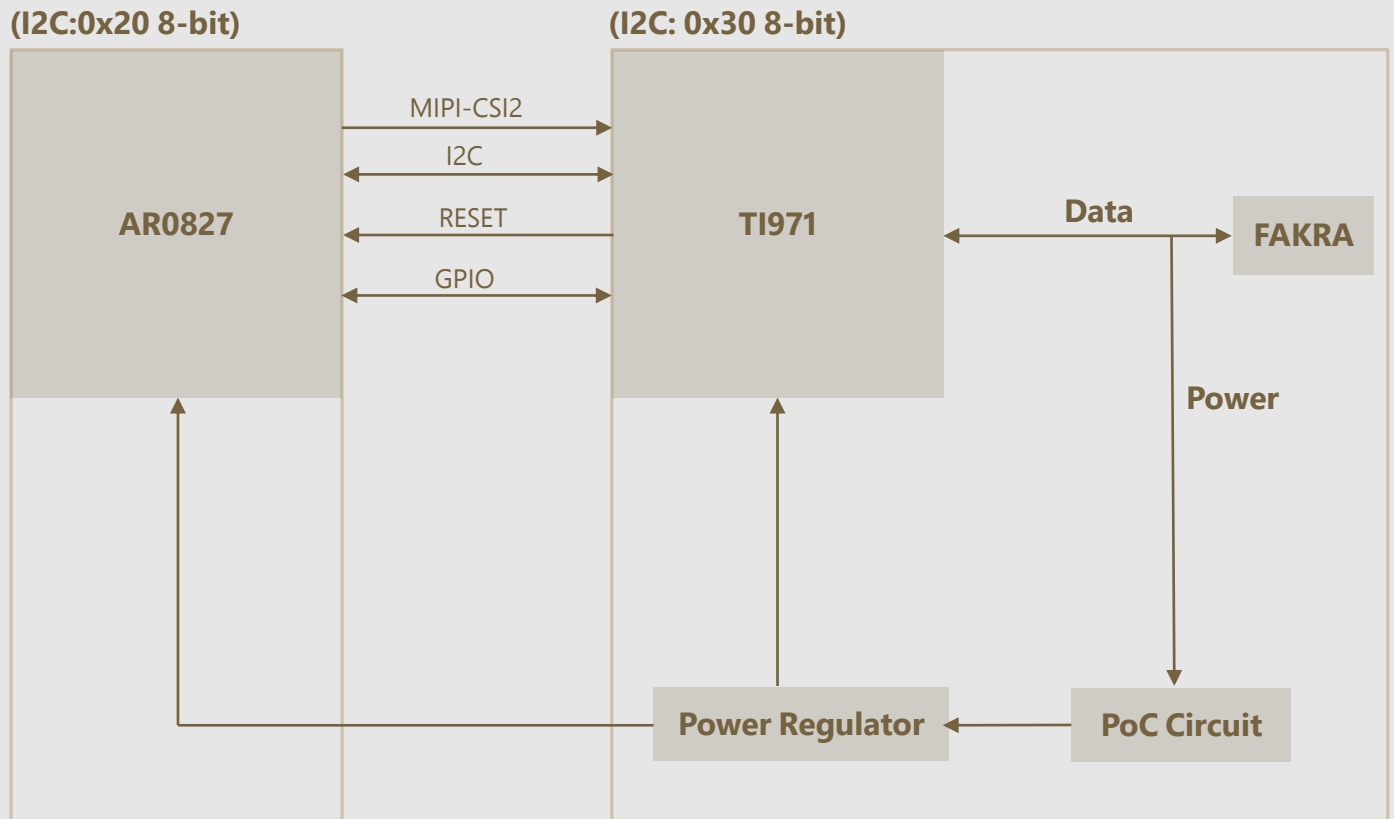


IMAGE ORIENTATION



PINOUT CONNECTIONS



USB3.0 CAMERA KIT

LI-FPDLINKIV-USB



Top View



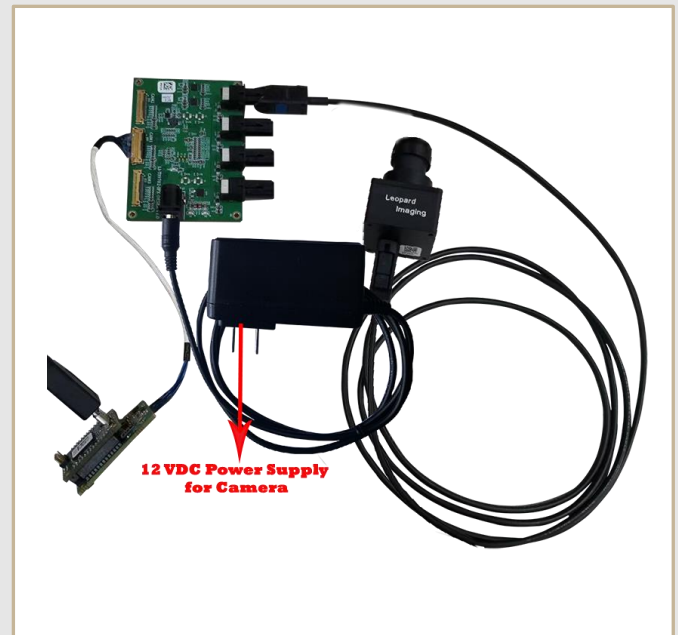
Bottom View

LI-AR0827-FP4-070H can connect to LI-FPDLINKIV-USB as a USB 3.0 camera.

Part#: **LI-USB30-AR0827-FP4-070H**

SPECIFICATIONS

- USB 3.0 Super Speed support
- UVC compliant
- Allows customization
- 12 VDC Power Supply for camera
- Weight: ~146 g (without power and USB30 cable)
- Single Coax Cable transmits up to 12 meters PoC (Power over Cable)
- Resolution: 3840 x 2160 @ 15 fps
- Power consumption: 130 mA @ 12 VDC
- Compatible with Windows, Linux OS and other OS which have UVC drivers



BOM

#	Items	QTY
1	LI-AR0827-FP4-070H	1
2	LI-FPDLINKIV-USB	1
3	3-Meter Fakra Cable	1
4	12 VDC Power Supply	1
5	USB3.0 Cable	1

SDK SUPPORTED

- Camera Tool Source Code in C#
- Capture & Display
- Register Access Function

REVISION HISTORY

Revision	Description	Release Date
0.1	Initial draft.	05 Jun 2026

910 Auburn Ct, Fremont, CA 94538, USA

Phone: +1-408-263-0988

Fax: +1-408-217-1960

Email: sales@leopardimaging.com

Website: www.leopardimaging.com

