



**LEOPARD**  
IMAGING

# LI-IMX775-GM2B-113H



**Address:**

910 Auburn Ct  
Fremont, CA 94538  
USA



**Phone:**

+1 (408)263-0988

**Fax:**

+1 (408)217-1960



**Sales:**

[sales@leopardimaging.com](mailto:sales@leopardimaging.com)

**Support:**

[support@leopardimaging.com](mailto:support@leopardimaging.com)

## INTRODUCTION

The LI-IMX775-GM2B-113H is a 5MP automotive global shutter GMSL2 camera featuring a Sony RGB-IR sensor IMX775 for enhanced visible and NIR sensitivity. Paired with ADI MAX96717G serializer, it outputs RAW data for custom processing, making it ideal for ADAS and in-cabin monitoring systems requiring high reliability.

## KEY FEATURES

Maximum Frame Rate	30fps @ 2592 x 1944
Sensor	Sony Diagonal 6.85 mm Sensor IMX775
Optical Format	1/2.62"
Pixel Size	2.1 $\mu\text{m}$ $\times$ 2.1 $\mu\text{m}$
Chroma Type	RGB-IR
Shutter Type	Global Shutter
Output Format	8-bit / 10-bit / 12-bit RAW data
Resolution	2592(H) $\times$ 1944 (V)
Serializer	ADI MAX96717G
Interface	GMSL2
Connector	FAKRA Z TYPE
Operating Temp	TBD
Storage Temp	TBD
Power Supply Range	9 ~ 19 VDC
Power Consumption	92 mA @ 12 VDC (30fps @ 2592 x 1944)
Ingress Protection	TBD
Weight	~37 g

## APPLICATIONS

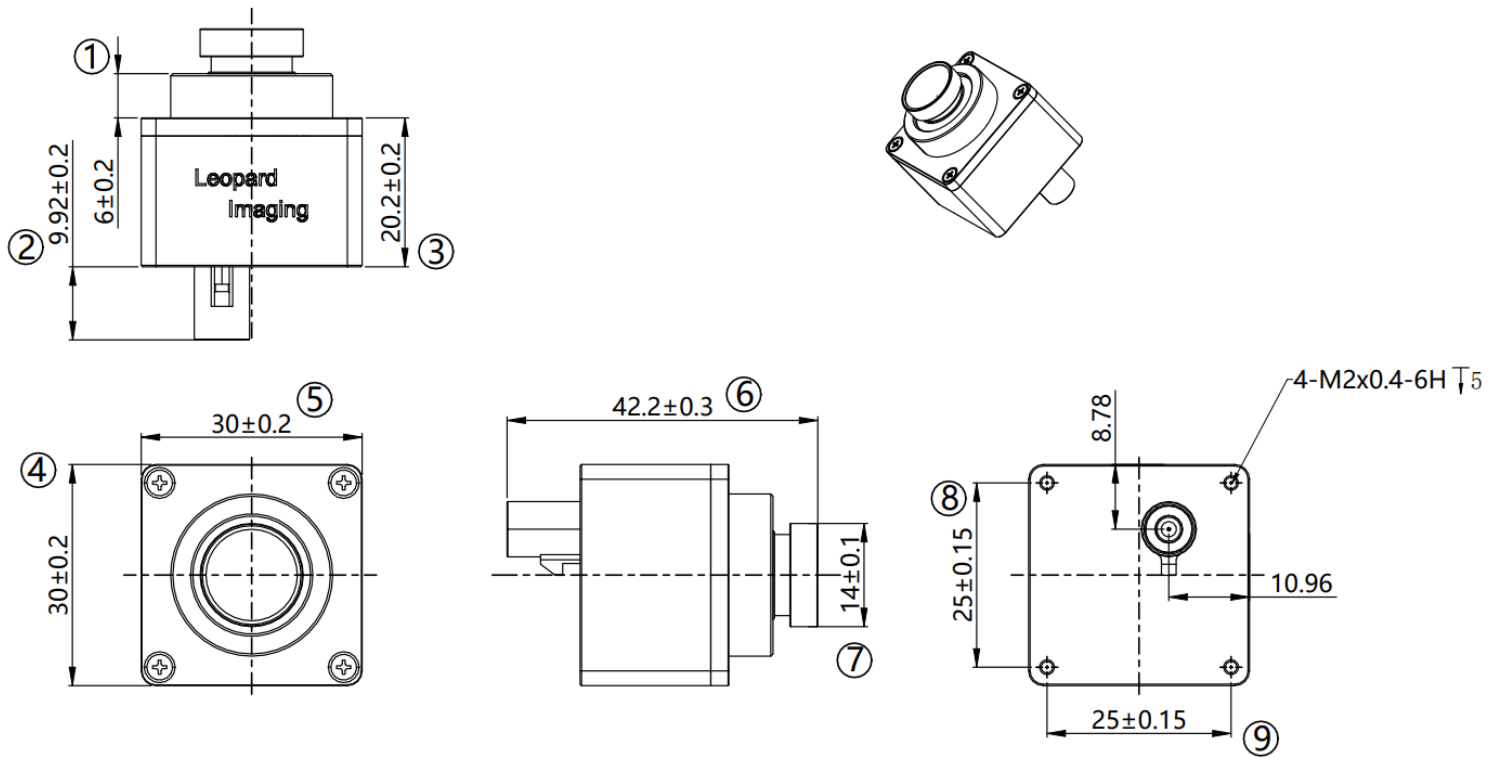
- Automotive interior camera

## LENS SPECIFICATIONS

Effective focal Length	2.94 $\pm$ 5% mm
Aperture, F/#	2.0 $\pm$ 5%
Field of View (FOV)	113° horizontal
IR Filter	Visible + 940 nm band pass filter
Relative Illumination	(51 $\pm$ 5) %
Optical Distortion	-71.9% $\pm$ 5%
Lens Mount	M12 x P0.5



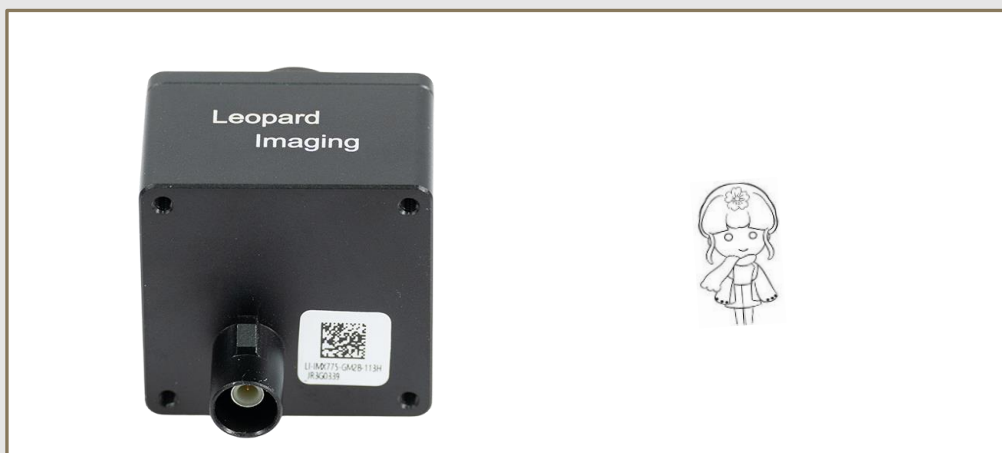
## DIMENSIONS



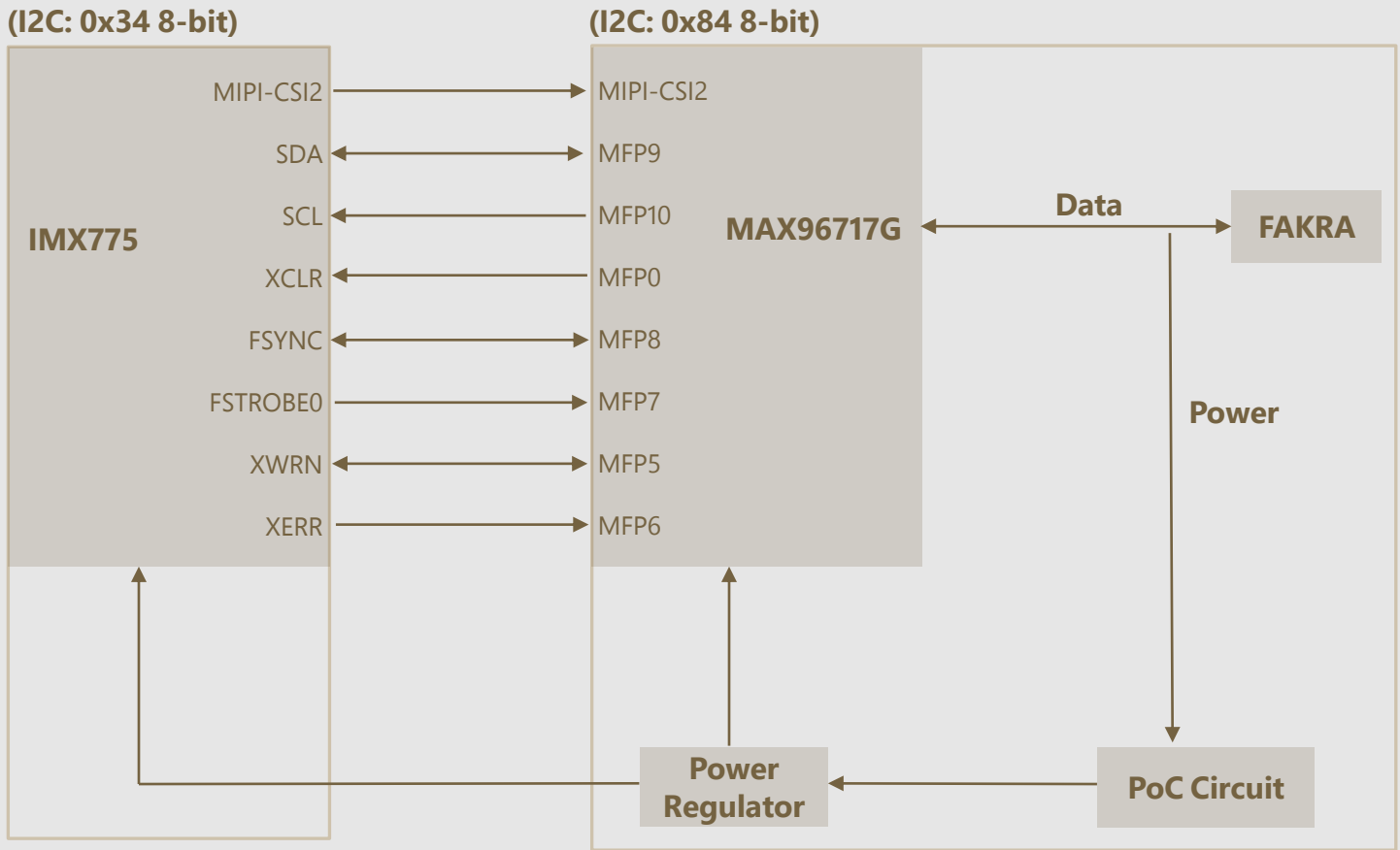
### NOTE:

- ⊗ marked are important sizes.
- Tolerances for others unmarked is  $\pm 0.3$ mm.
- Unit: mm

## IMAGING ORIENTATION



# SYSTEM BLOCK DIAGRAM



## ● REVISION HISTORY

Revision	Description	Release Date
0.1	Initial draft.	09 Mar 2026
0.2	Updated pictures on the page 1 & 2.	09 Apr 2026

910 Auburn Ct, Fremont, CA 94538, USA

Phone: +1-408-263-0988

Fax: +1-408-217-1960

Email: [sales@leopardimaging.com](mailto:sales@leopardimaging.com)

Website: [www.leopardimaging.com](http://www.leopardimaging.com)

