



LEOPARD
IMAGING

LI-AR0830-YUV-MIPI-078H



Address:

910 Auburn Ct
Fremont, CA 94538
USA



Phone:

+1 (408)263-0988

Fax:

+1 (408)217-1960



Sales:

sales@leopardimaging.com

Support:

support@leopardimaging.com

INTRODUCTION

The LI-AR0830-YUV-MIPI-078H is a MIPI camera with ON Semiconductor 1/2.9-Inch 8Mp CMOS digital image sensor AR0830 and AP1302 ISP. This camera outputs YUV image data.

SPECIFICATIONS

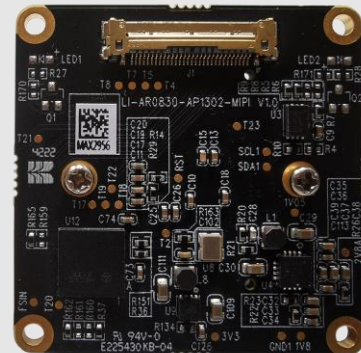
Sensor	ON Semiconductor 8Mp CMOS Digital Image Sensor AR0830
Optical Format	1/2.9"
Resolution	3840 (H) x 2160 (V) (active pixels)
Pixel Size	1.4 μm Back Side Illuminated (BSI)
Output Format	YUV 422
xDR (X-tended Dynamic Range)	Supported
Frame Rate	30 fps @ 4K
ISP	ON Semiconductor AP1302
Color / Mono	Color sensor
Interface	4-lane MIPI D-PHY
Power Consumption	< 1.15 W
Operating Temp	-20°C ~ +70°C
Storage Temp	-20°C ~ +70°C
Weight	~ 12 g
Part#	LI-AR0830-YUV-MIPI-078H

APPLICATIONS

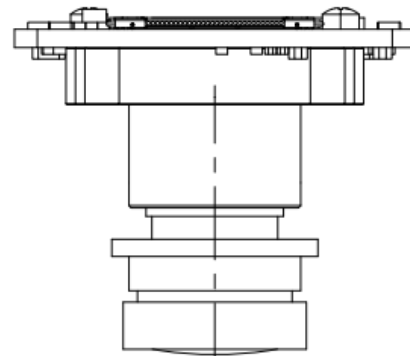
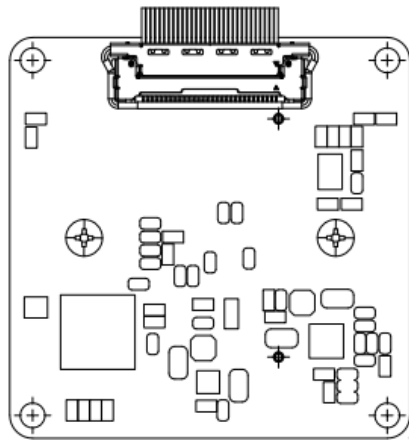
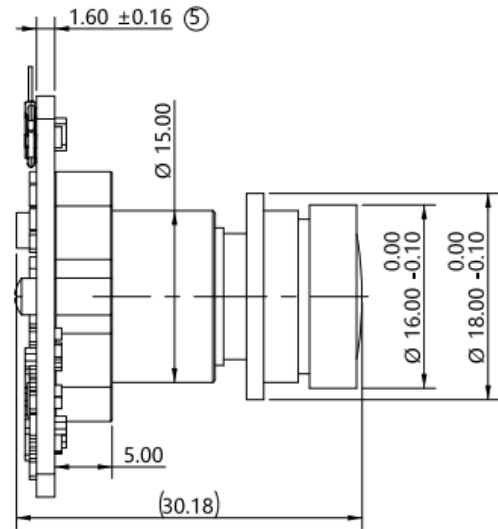
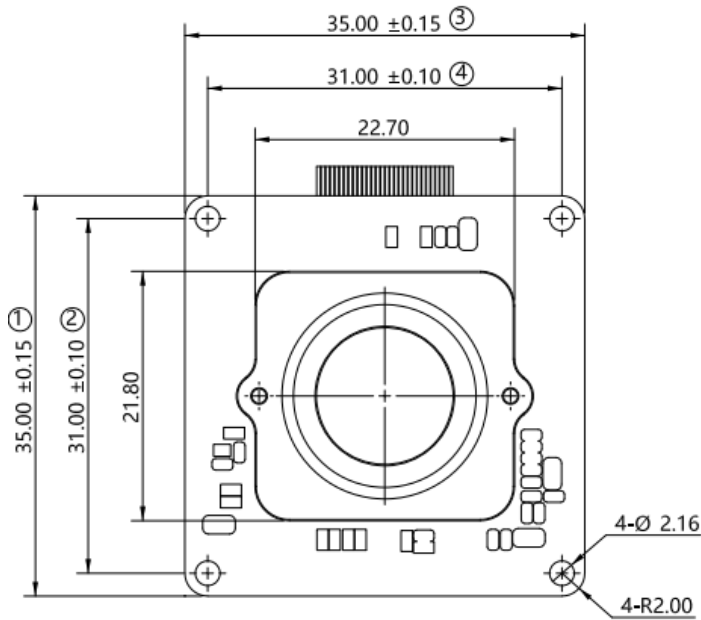
- IoT
- Drone
- Robots
- Video Doorbells
- Machine Vision
- Retail In-Store Cameras

LENS SPECIFICATIONS

Effective Focal Length	4.063 mm
Aperture, F/#	2.29 \pm 5%
Field of View (FOV)	78° horizontal
Optical Distortion	-28.1%
TV Distortion	-9.3%
Relative Illumination	59.1%
IR Filter	650 nm IR cut filter
Lens Mount	M12 x 0.5



DIMENSIONS



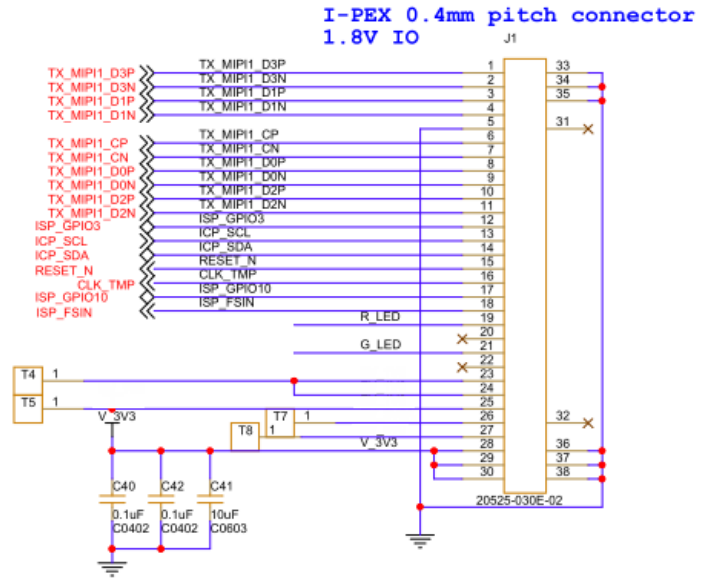
NOTE:

- \otimes marked are important sizes.
- Tolerances for others unmarked are ± 0.3 mm.

Unit: mm

INTERFACE

- Connector Part#: 20525-030E-02
- Number of positions: 30
- Pitch: 0.4 mm
- Sensor I2C address: 0x6C (8-bit)
- ISP I2C address: 0x78 (8-bit)
- External power supply: 3.3V



- REVISION HISTORY

Revision	Description	Release date
1.0	First release.	30 Jun 2023
1.1	Updated the interface details.	13 Oct 2025

910 Auburn Ct, Fremont, CA 94538, USA

Phone: +1-408-263-0988

Fax: +1-408-217-1960

Email: sales@leopardimaging.com

Website: www.leopardimaging.com

