



**LEOPARD**  
IMAGING

# LI-AR0234CS-YUV-GMSL2



**Address:**

910 Auburn Ct  
Fremont, CA 94538  
USA



**Phone:**

+1 (408)263-0988

**Fax:**

+1 (408)217-1960



**Sales:**

[sales@leopardimaging.com](mailto:sales@leopardimaging.com)

**Support:**

[support@leopardimaging.com](mailto:support@leopardimaging.com)

## INTRODUCTION

The LI-AR0234CS-YUV-GMSL2 is equipped with ON Semiconductor 2.3MP CMOS digital image sensor AR0234CS, AP1302 ISP and Maxim GMSL2 serializer MAX9295A/B. This camera outputs 1920 x 1200 YUV data.

## SPECIFICATIONS

Sensor	ON Semiconductor 2.3MP CMOS Image Sensor AR0234CS
Optical Format	1/2.6"
Resolution	1920 (H) x 1200 (V) (based on ISP binary)
Pixel Size	3.0 x 3.0 $\mu\text{m}$
Output Format	YUV422 8-bit
Color / Mono	Color sensor
Frame Rate	30 fps @ 1920 x 1200
Shutter	Global shutter
Serializer	Maxim MAX9295A/B
Power Supply Range	9 ~ 19 VDC
ISP	ON Semiconductor AP1302
FAKRA Connector	FAKRA Z TYPE
IP Rating	IP67
Power Consumption	100 mA @ 12 VDC (1920 x 1200 @ 30 fps)
Operating Temp	-40°C ~ +85°C
Storage Temp	-40°C ~ +85°C
Weight	~ 50 g
Part#	LI-AR0234CS-YUV-GMSL2

## APPLICATIONS

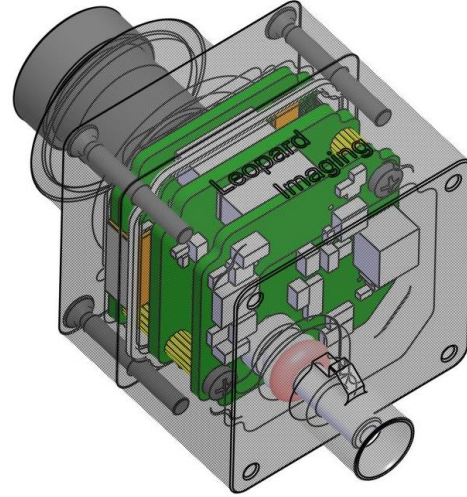
- Bar Code Scanner
- 3D Scanning
- Positional Tracking
- Iris Scanning
- Machine Vision
- Augmented Reality
- Virtual Reality
- Biometrics
- Gesture Recognition



## WATER PROOF

- Metal Housing
- Water-Proof Lens
- Sealed Gasket (White)
- Sealed O-Ring (Red)

Note: The lens must be glued for water-proof.





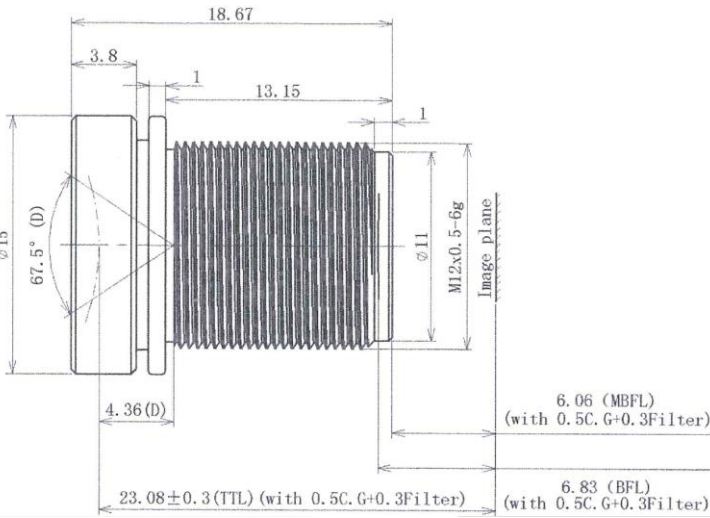
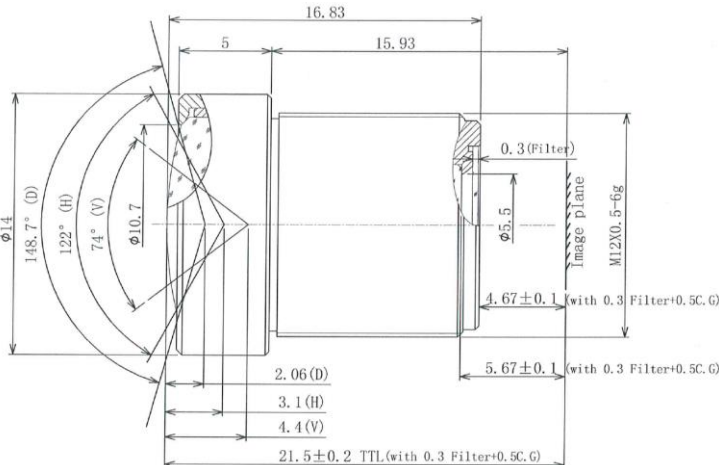
## CABLE CONNECTOR

- Housing Connector: FAKRA Z Type
- Cable Length: 3 meters

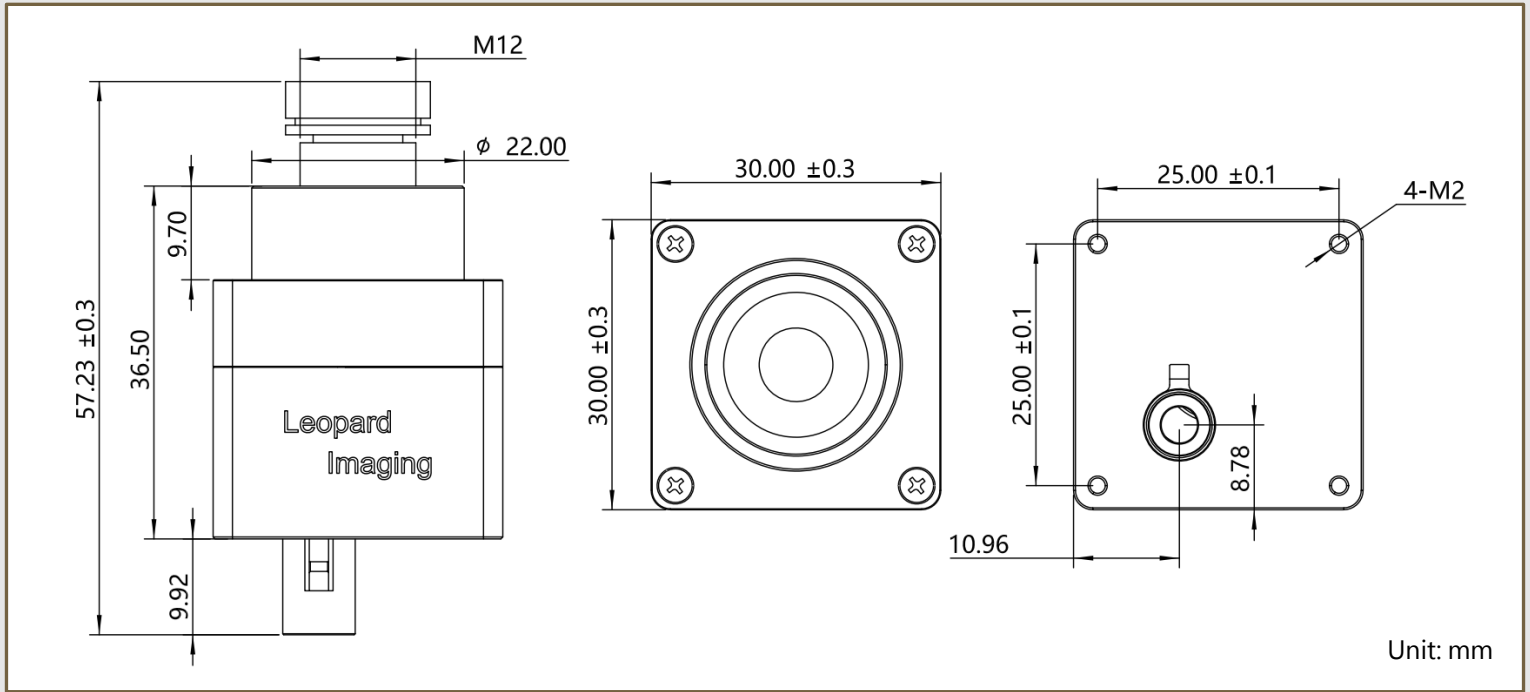


## LENS SPECIFICATIONS

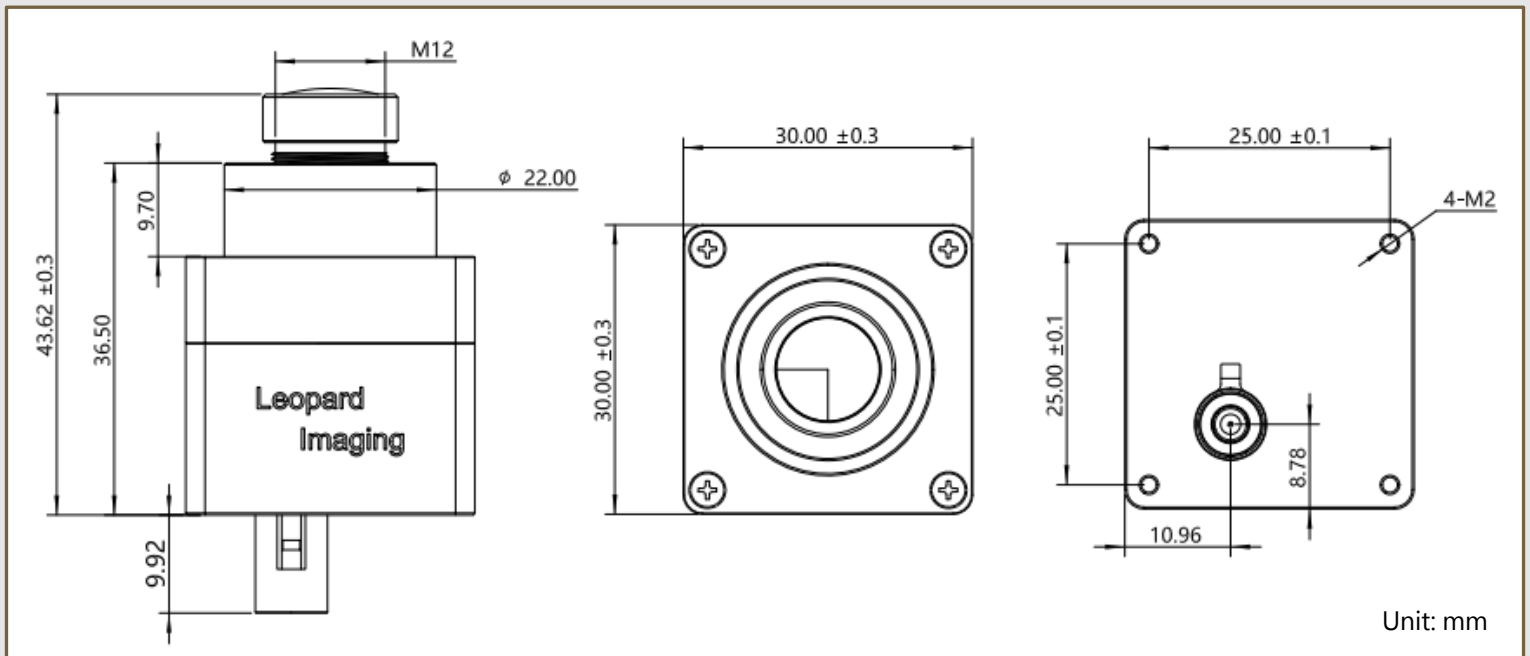
The LI-AR0234CS-YUV-GMSL2 is equipped with two types of waterproof M12 lens: 60H and 120H.

LI-AR0234CS-YUV-GMSL2-060H	LI-AR0234CS-YUV-GMSL2-120H
	
Effective Focal Length (EFL): 6.0 mm	Effective Focal Length (EFL): 2.8 mm
Aperture, F/#: 1.9	Aperture, F/#: 2.0
Field of View (FOV): 60° horizontal	Field of View (FOV): 122° horizontal
Optical Distortion: < -20%	Optical Distortion: < -66.5%
Relative Illumination: > 50%	Relative Illumination: > 30%
Mount: M12 x 0.5	Mount: M12 x 0.5
IP Rating: IP67	IP Rating: IP67
	

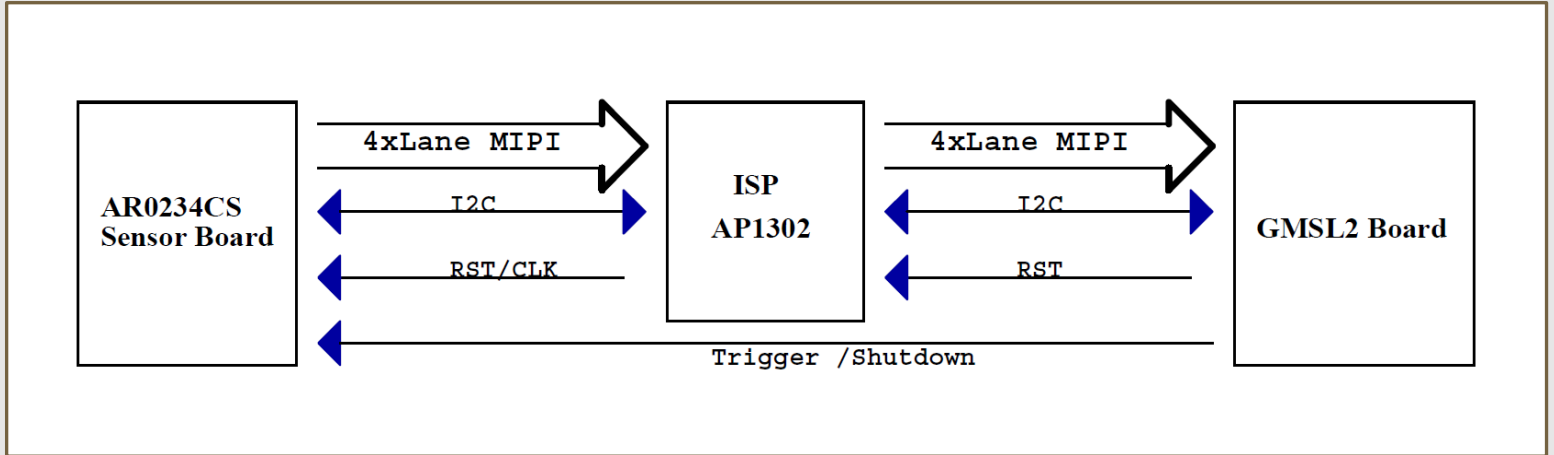
DIMENSIONS: LI-AR0234CS-YUV-GMSL2-060H



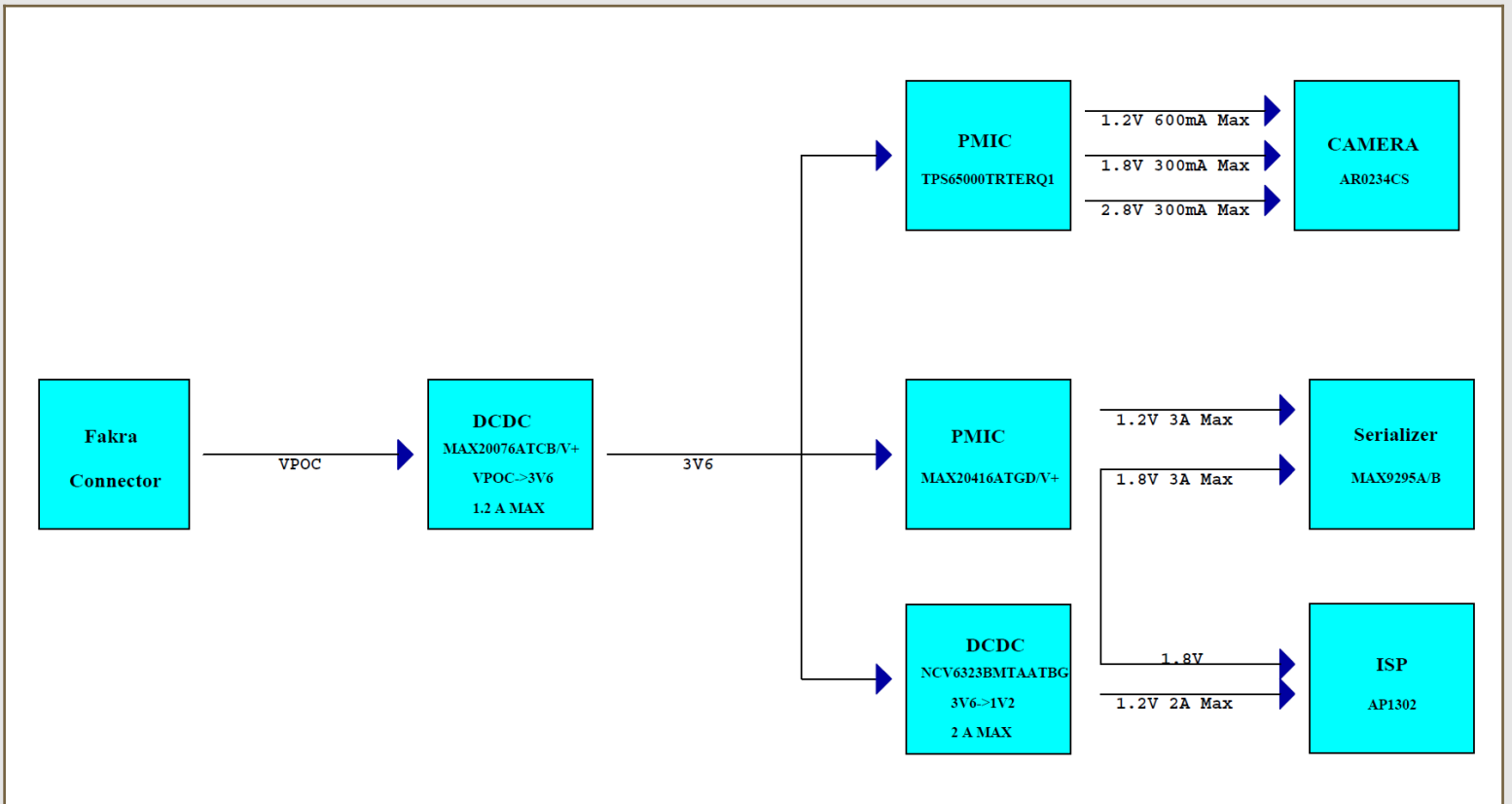
DIMENSIONS: LI-AR0234CS-YUV-GMSL2-120H



## SYSTEM BLOCK DIAGRAM



## POWER BLOCK DIAGRAM



## USB3.0 CAMERA KIT

LI-GMSL2-USB-BOX



Front View



Side View

LI-AR0234CS-YUV-GMSL2 can connect to LI-GMSL2-USB-BOX as a USB 3.0 camera.

Part#: **LI-USB30-AR0234CS-YUV-GMSL2**

### SPECIFICATIONS

- USB 3.0 Super Speed support
- UVC compliant
- Global shutter
- Allows customization
- 12 VDC power supply for camera
- Weight: ~ 127 g
- Single Coax Cable transmits up to 12 meters PoC (Power over Cable)
- Resolution: 1920 x 1200 @ 30 fps
- Compatible with Windows, Linux OS and other OS which have UVC drivers

### BOM

#	Items	QTY
1	LI-AR0234CS-YUV-GMSL2	1
2	LI-GMSL2-USB-BOX	1
3	3-Meter Fakra Cable	1
4	12 VDC Power Supply	1
5	USB3.0 Cable	1



### SDK SUPPORTED

- Camera Tool Source Code in C#
- Capture & Display

## ● REVISION HISTORY

Revision	Description	Release Date
1.0	First release	30 Jul 2021
1.1	Deleted 3 meters fakra cable P/N.	08 Nov 2024

910 Auburn Ct, Fremont, CA 94538, USA

Phone: +1-408-263-0988

Fax: +1-408-217-1960

Email: [sales@leopardimagng.com](mailto:sales@leopardimagng.com)

Website: [www.leopardimaging.com](http://www.leopardimaging.com)

