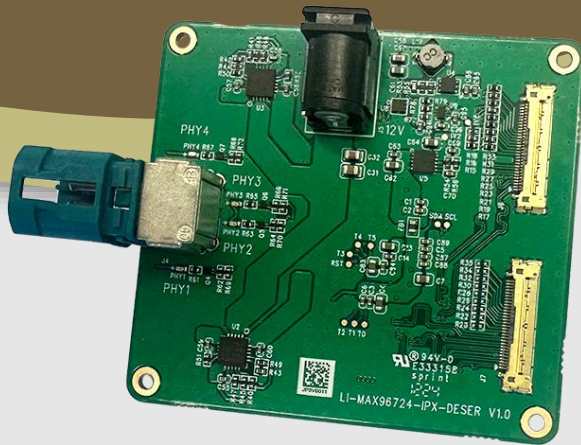




LEOPARD
IMAGING

LI-MAX96724-IPX-DESER



Address:

910 Auburn Ct
Fremont, CA 94538
USA



Phone:

+1 (408)263-0988

Fax:

+1 (408)217-1960



Sales:

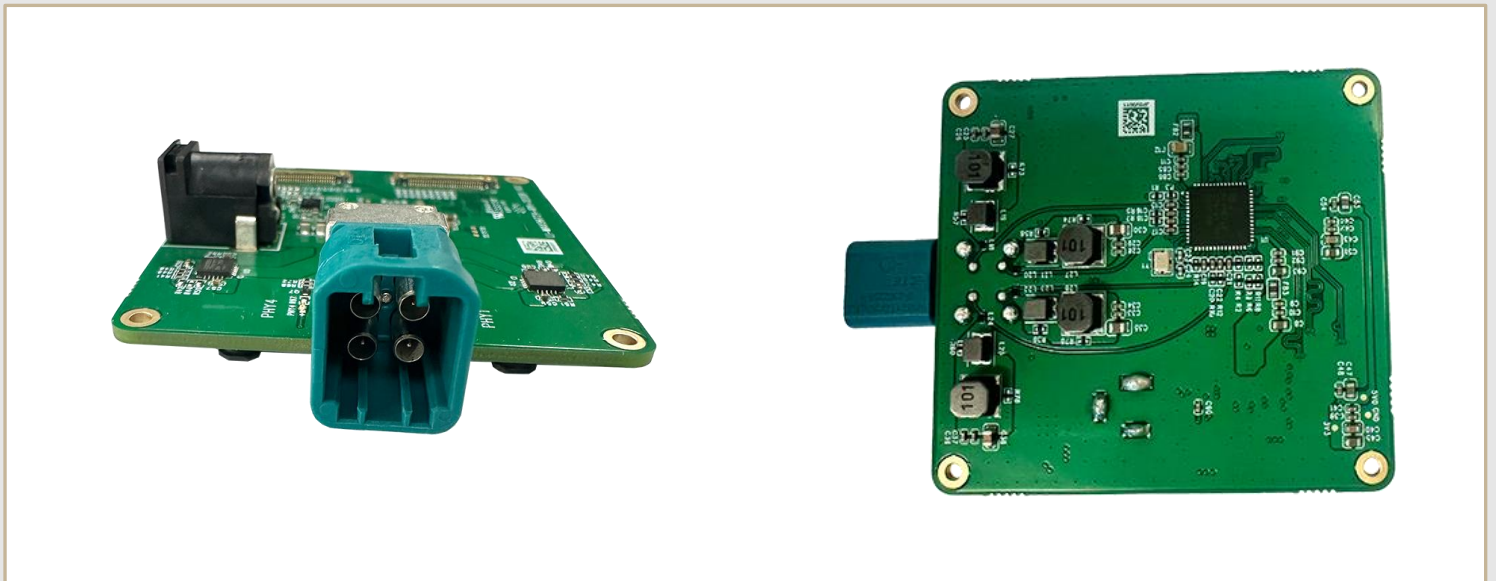
sales@leopardimaging.com

Support:

support@leopardimaging.com

TECHNICAL FEATURES

- Compatible with NVIDIA® Jetson AGX Orin™ platform
- Supports up to 4 GMSL2 cameras (Over Current Protection with Led indicator)
Mating connector to the board: 2298721-9
- Supports external 12 VDC power supply
- DeSerializer: Maxim MAX96724
- Operating temperature: -25°C ~ +70°C
- Weight: ~ 27 g
- Part#: **LI-MAX96724-IPX-DESER**



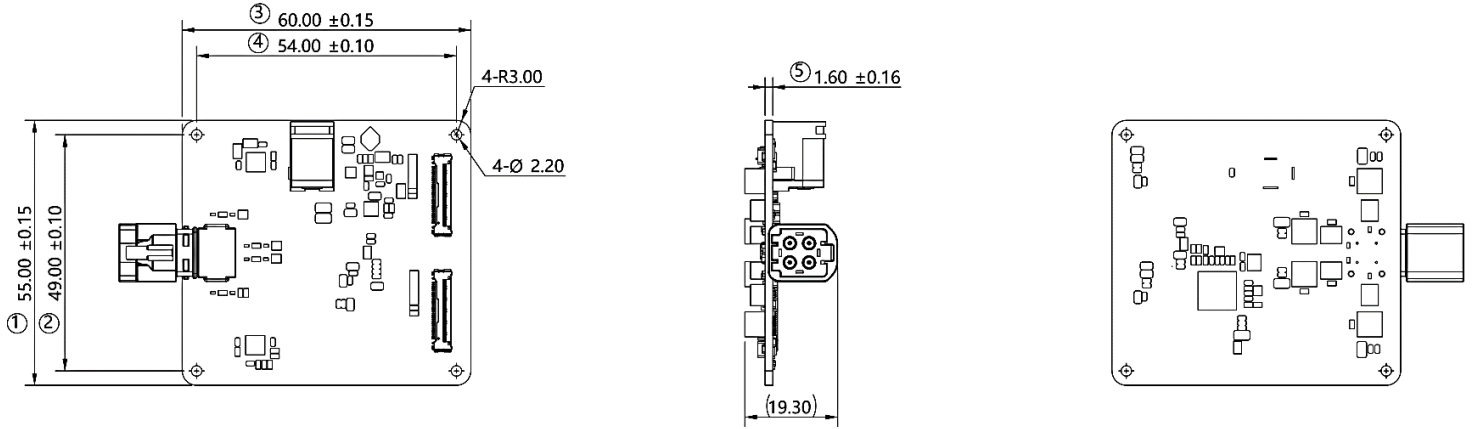
BOM DETAILS

#	Items	QTY
1	LI-MAX96724-IPX-DESER V1.0	1
2	12 VDC power supply	1

NOTE:

The 4-to-1 cable is not included. You can purchase via the following address:
<https://www.leopardimaging.com/product/accessories/cables/li-fcb-4t1-ss-2m-np-t1/>

DIMENSIONS



TOLERANCE TABLE

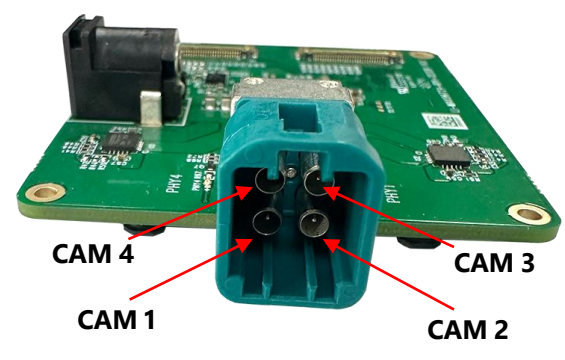
LENGTH TOLERANCE		CHAMFER TOLERANCE		ANGLE TOLERANCE	
Size X	Tolerance	Size X	Tolerance	Size X	Tolerance
0.5 < X ≤ 3	±0.1	0.5 < X ≤ 3	±0.2	X ≤ 10	±1°
3 < X ≤ 6	±0.1	3 < X ≤ 6	±0.5	10 < X ≤ 50	±30'
6 < X ≤ 30	±0.2	6 < X ≤ 30	±1	50 < X ≤ 120	±20'
30 < X ≤ 120	±0.3	X > 30	±2	120 < X ≤ 400	±10'
120 < X ≤ 400	±0.5			X > 400	±5'
400 < X ≤ 1000	±0.8				
X > 1000	±1.2				

NOTE:

- ⊗ marked are important sizes.
- Tolerances for the unmarked refer to the tolerance table.
- All materials are compliant with RoHS requirements.
- Unit: mm

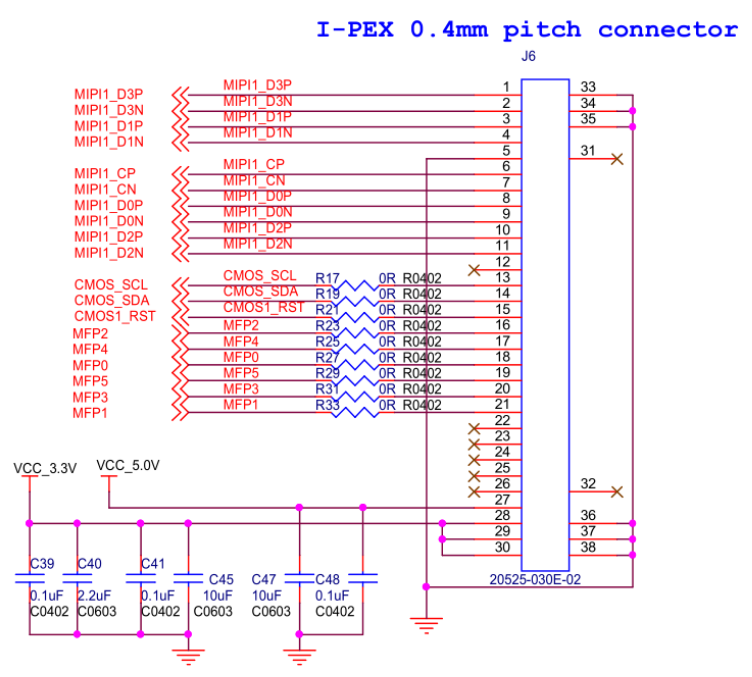
INTERFACE J4

- Part#: 0-2302259-9
- Number of Positions: 4
- Mating Connector Part#: 2298721-9



INTERFACE OF J6 (MIPI Channel 1)

- Part#: 20525-030E-02
- Number of Positions: 30
- Pitch: 0.4 mm
- Mating I-PEX Cable: FAW-1233-xx

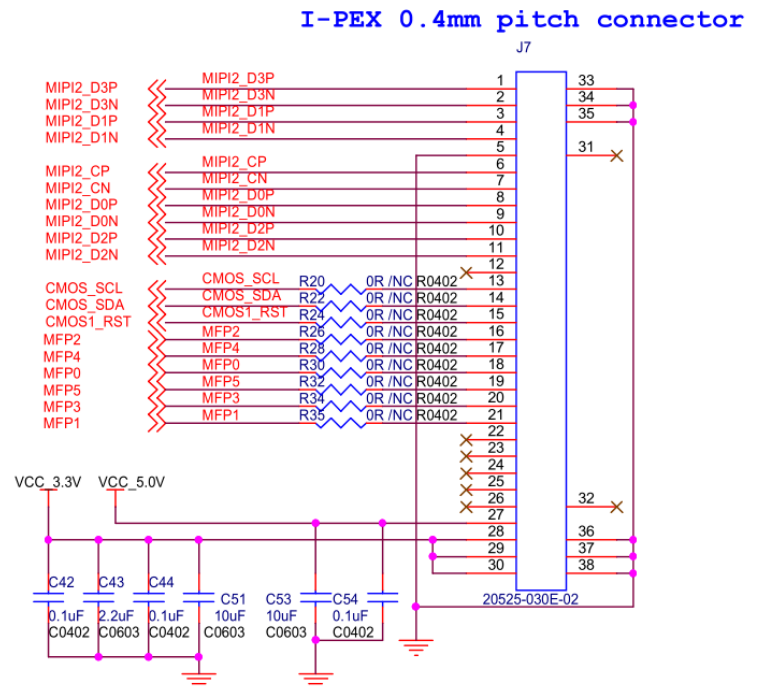


PINOUT DETAILS OF IPEX CONNECTOR J6

Pin No	Pin Name	Description	Pin Type	Voltage Level
1	MIPI1_D3P	P signal of the D3-port differential signal of MIPI1	Bidir	1.2V
2	MIPI1_D3N	N signal of the D3-port differential signal of MIPI1	Bidir	1.2V
3	MIPI1_D1P	P signal of the D1-port differential signal of MIPI1	Bidir	1.2V
4	MIPI1_D1N	N signal of the D1-port differential signal of MIPI1	Bidir	1.2V
5	GND	GND	-	-
6	MIPI1_CP	P signal of the CLOCK differential signal of MIPI1	Bidir	1.2V
7	MIPI1_CN	N signal of the CLOCK differential signal of MIPI1	Bidir	1.2V
8	MIPI1_D0P	P signal of the D0-port differential signal of MIPI1	Bidir	1.2V
9	MIPI1_D0N	N signal of the D0-port differential signal of MIPI1	Bidir	1.2V
10	MIPI1_D2P	P signal of the D2-port differential signal of MIPI1	Bidir	1.2V
11	MIPI1_D2N	N signal of the D2-port differential signal of MIPI1	Bidir	1.2V
12	-	-	-	-
13	CMOS_SCL	The SCL signal of camera I2C	Bidir	1.8V
14	CMOS_SDA	The SDA signal of camera I2C	Bidir	1.8V
15	CMOS1_RST	Reset signal	Input	1.8V
16	MFP2	GPIO signal	Bidir	1.8V
17	MFP4	GPIO signal	Bidir	1.8V
18	MFP0	GPIO signal	Bidir	1.8V
19	MFP5	GPIO signal	Bidir	1.8V
20	MFP3	GPIO signal	Bidir	1.8V
21	MFP1	GPIO signal	Bidir	1.8V
22	-	-	-	-
23	-	-	-	-
24	-	-	-	-
25	-	-	-	-
26	-	-	-	-
27	VCC_5.0V	Power supply	Power	-
28	VCC_3.3V	Power supply	Power	-
29	VCC_3.3V	Power supply	Power	-
30	VCC_3.3V	Power supply	Power	-

INTERFACE OF J7 (MIPI Channel 2)

- Part#: 20525-030E-02
- Number of Positions: 30
- Pitch: 0.4 mm
- Mating I-PEX Cable: FAW-1233-xx



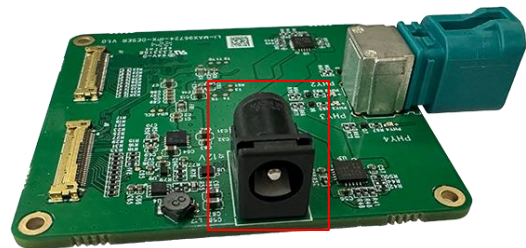
PINOUT DETAILS OF IPEX CONNECTOR J7

Pin No	Pin Name	Description	Pin Type	Voltage Level
1	MIPI2_D3P	P signal of the D3-port differential signal of MIPI2	Bidir	1.2V
2	MIPI2_D3N	N signal of the D3-port differential signal of MIPI2	Bidir	1.2V
3	MIPI2_D1P	P signal of the D1-port differential signal of MIPI2	Bidir	1.2V
4	MIPI2_D1N	N signal of the D1-port differential signal of MIPI2	Bidir	1.2V
5	GND	GND	-	-
6	MIPI2_CP	P signal of the CLOCK differential signal of MIPI2	Bidir	1.2V
7	MIPI2_CN	N signal of the CLOCK differential signal of MIPI2	Bidir	1.2V
8	MIPI2_D0P	P signal of the D0-port differential signal of MIPI2	Bidir	1.2V
9	MIPI2_D0N	N signal of the D0-port differential signal of MIPI2	Bidir	1.2V
10	MIPI2_D2P	P signal of the D2-port differential signal of MIPI2	Bidir	1.2V
11	MIPI2_D2N	N signal of the D2-port differential signal of MIPI2	Bidir	1.2V

Pin No	Pin Name	Description	Pin Type	Voltage Level
12	-	-	-	-
13	CMOS_SCL	The SCL signal of camera I2C (Not connected default)	Bidir	1.8V
14	CMOS_SDA	The SDA signal of camera I2C (Not connected default)	Bidir	1.8V
15	CMOS1_RST	Reset signal (Not connected default)	Input	1.8V
16	MFP2	GPIO signal (Not connected default)	Bidir	1.8V
17	MFP4	GPIO signal (Not connected default)	Bidir	1.8V
18	MFP0	GPIO signal (Not connected default)	Bidir	1.8V
19	MFP5	GPIO signal (Not connected default)	Bidir	1.8V
20	MFP3	GPIO signal (Not connected default)	Bidir	1.8V
21	MFP1	GPIO signal (Not connected default)	Bidir	1.8V
22	-	-	-	-
23	-	-	-	-
24	-	-	-	-
25	-	-	-	-
26	-	-	-	-
27	VCC_5.0V	Power supply	Power	-
28	VCC_3.3V	Power supply	Power	-
29	VCC_3.3V	Power supply	Power	-
30	VCC_3.3V	Power supply	Power	-

INTERFACE J5(DC PWR JACK)

- Part#: PJ-002A
- Number of Positions: 3
- Connector Type: Jack
- Inner Diameter: 2 mm
- Outer Diameter: 6.5 mm



- REVISION HISTORY

Revision	Description	Release Date
V1.0	First release.	04 Jun 2024

910 Auburn Ct, Fremont, CA 94538, USA

Phone: +1 (408)263-0988

Fax: +1 (408)217-1960

Email: sales@leopardimaging.com

Website: www.leopardimaging.com

