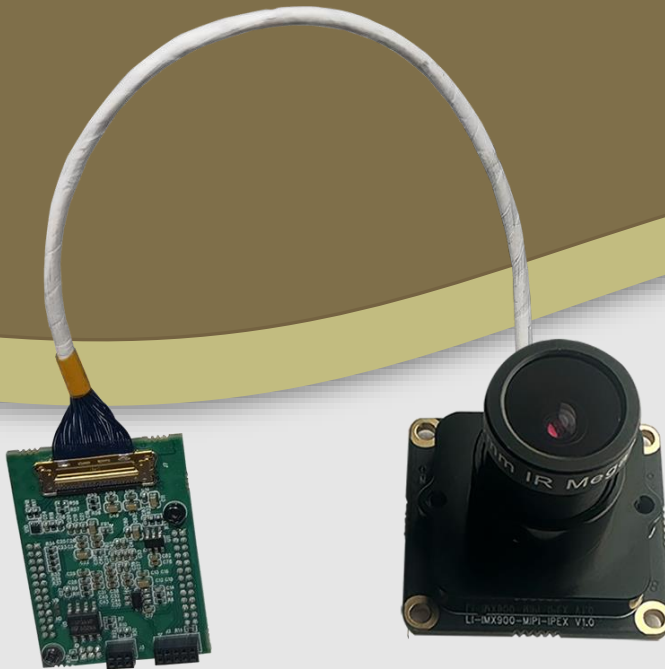




LEOPARD
IMAGING

LI-USB30-IMX900-MIPI-078H



Address:

910 Auburn Ct
Fremont, CA 94538
USA



Phone:

+1 (408)263-0988

Fax:

+1 (408)217-1960



Sales:

sales@leopardimaging.com

Support:

support@leopardimaging.com

Key Features

- USB 3.0 Super Speed support
- RAW data output without compression
- UVC compliant
- Mono camera
- Supports M12 lens
- Allows customization
- USB + 5 VDC powered device
- Part#: **LI-USB30-IMX900-MIPI-078H**

Lens Specifications

Focal Length	3.6 mm
Aperture, F/#	1.8
Field of View (FOV)	78° horizontal
OP Distortion	< 37 %
Relative Illumination	> 55 %
Lens Mount	M12 x P0.5

Applications

- FA camera
- Code reading camera
- Embedded vision systems

SDK Supported

- Camera Tool Source Code in C#
- Capture & Display
- RAW to RGB Conversion
- Save file as BMP & RAW format
- Mono Matrix
- Register access function

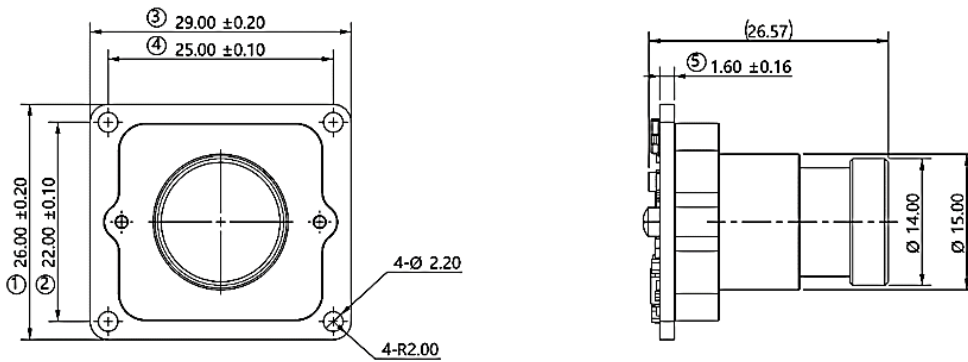
BOM

#	Items	QTY
1	LI-IMX900-MIPI-078H	1
2	LI-USB30 Main board	1
3	LI-CSLINK-IPX-TESTER	1
4	FAW-1233-02 (200 mm)	1

SEPCIFICATIONS

General Behavior	
Video Resolution @ Frame Rate	2064 x 1552 @ 30 fps
Interface (Optical)	
IR Cut Filter (on lens)	650 nm IR cut filter
Sensor	Sony Diagonal 5.81 mm Pregius Sensor IMX900
Shutter	Global
Color / Mono	Mono
Format	1/3.1"
Active Pixels	2064 (H) x 1552 (V)
Pixel Size	2.25 μm x 2.25 μm
Lens Mount	M12
Interface (Electrical)	
Interface	USB 3.0
Supply Voltage	USB 3.0 +5 VDC power source
Current Consumption	227 mA @ 5 VDC 2064 x 1552 @ 30 fps
Weight	
LI-IMX900-MIPI-078H + LI-USB30 Main board + LI-CSLINK-IPX-TESTER (Without cable)	~ 25 g
Adjustment (Manual)	
Shutter	Support
Gain	Support
Register Access	Support
Temp Info (LI-IMX900-MIPI-078H)	
Operating Temp	-30°C ~ +70°C
Storage Temp	-30°C ~ +70°C
Supported OS	
Windows OS, Standard Linux OS and other OS with full UVC drivers	

DIMENSIONS: LI-IMX900-MIPI-087H



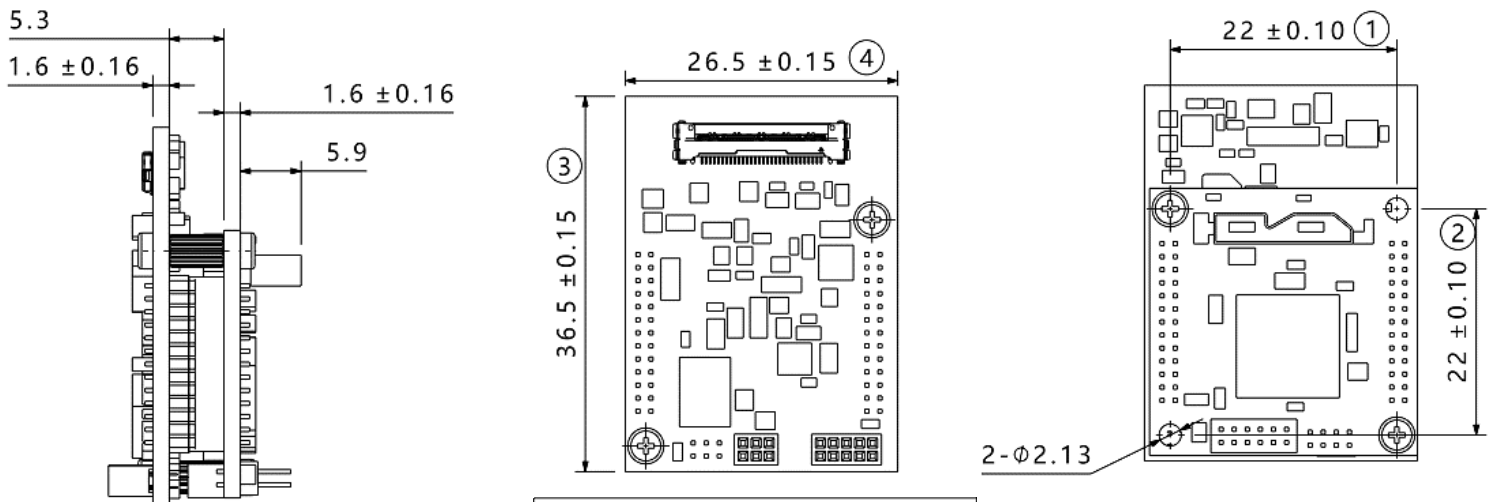
TOLERANCE TABLE					
LENGTH TOLERANCE		CHAMFER TOLERANCE		ANGLE TOLERANCE	
Size X	Tolerance	Size X	Tolerance	Size X	Tolerance
0.5 < X ≤ 3	±0.1	0.5 < X ≤ 3	±0.2	X ≤ 10	±1°
3 < X ≤ 6	±0.1	3 < X ≤ 6	±0.5	10 < X ≤ 50	±30'
6 < X ≤ 30	±0.2	6 < X ≤ 30	±1	50 < X ≤ 120	±20'
30 < X ≤ 120	±0.3	X > 30	±2	120 < X ≤ 400	±10'
120 < X ≤ 400	±0.5			X > 400	±5'
400 < X ≤ 1000	±0.8				
X > 1000	±1.2				

NOTE:

- ⊗ marked are important sizes.
- Tolerances for the unmarked refer to the Tolerance table.
- All materials are compliant with RoHS requirements.

Unit: mm

DIMENSIONS: LI-USB30 Main Board + LI-CSLINK-IPX-TESTER



TOLERANCE TABLE					
LENGTH TOLERANCE		CHAMFER TOLERANCE		ANGLE TOLERANCE	
Size X	Tolerance	Size X	Tolerance	Size X	Tolerance
0.5 < X ≤ 3	±0.1	0.5 < X ≤ 3	±0.2	X ≤ 10	±1°
3 < X ≤ 6	±0.1	3 < X ≤ 6	±0.5	10 < X ≤ 50	±30'
6 < X ≤ 30	±0.2	6 < X ≤ 30	±1	50 < X ≤ 120	±20'
30 < X ≤ 120	±0.3	X > 30	±2	120 < X ≤ 400	±10'
120 < X ≤ 400	±0.5			X > 400	±5'
400 < X ≤ 1000	±0.8				
X > 1000	±1.2				

NOTE:

- ⊗ marked are important sizes.
- Tolerances for the unmarked – refer to the Tolerance table.
- All materials are compliant with RoHS requirements.

Unit: mm

● REVISION HISTORY

Revision	Description	Release Date
0.1	Initial draft.	20 May 2024

910 Auburn Ct, Fremont, CA 94538, USA

Phone: +1-408-263-0988

Fax: +1-408-217-1960

Email: sales@leopardimaging.com

Website: www.leopardimaging.com

