



LEOPARD
IMAGING

LI-OX03A10-GMSL2-077H



Address:

910 Auburn Ct
Fremont, CA 94538
USA



Phone:

+1 (408)263-0988

Fax:

+1 (408)217-1960



Sales:

sales@leopardimaging.com

Support:

support@leopardimaging.com

INTRODUCTION

The LI-OX03A10-GMSL2-077H is equipped with OmniVision 1/2.44" color CMOS high dynamic range (HDR) high definition image sensor OX03A10 and Maxim MAX9295A/B GMSL2 serializer. This camera outputs RAW image data.

SPECIFICATIONS

Sensor	OmniVision CMOS Image Sensor OX03A10
Optical Format	1/2.44"
Resolution	1920 (H) x 1280 (V) (active pixels)
Pixel Size	3.2 x 3.2 μm
Output Format	16-bit or 12-bit RAW
Maximum Frame Rate	60 fps @ 1080p 50 fps @ 1280p
Serializer	Maxim MAX9295A/B
Power Supply Range	9 ~ 19 VDC
ISP	Not included
HDR (High Dynamic Range)	Supported
Connector	FAKRA Z TYPE
IP Rating	TBD
Power Consumption	64 mA @ 12 VDC (1920 x 1280 @ 30 fps)
Operating Temp	-30°C ~ +70°C
Storage Temp	-30°C ~ +70°C
Weight	~ 35 g
Size	30.0 (L) x 30.0 (W) x 44.5 (D) mm
Part#	LI-OX03A10-GMSL2-077H

APPLICATIONS

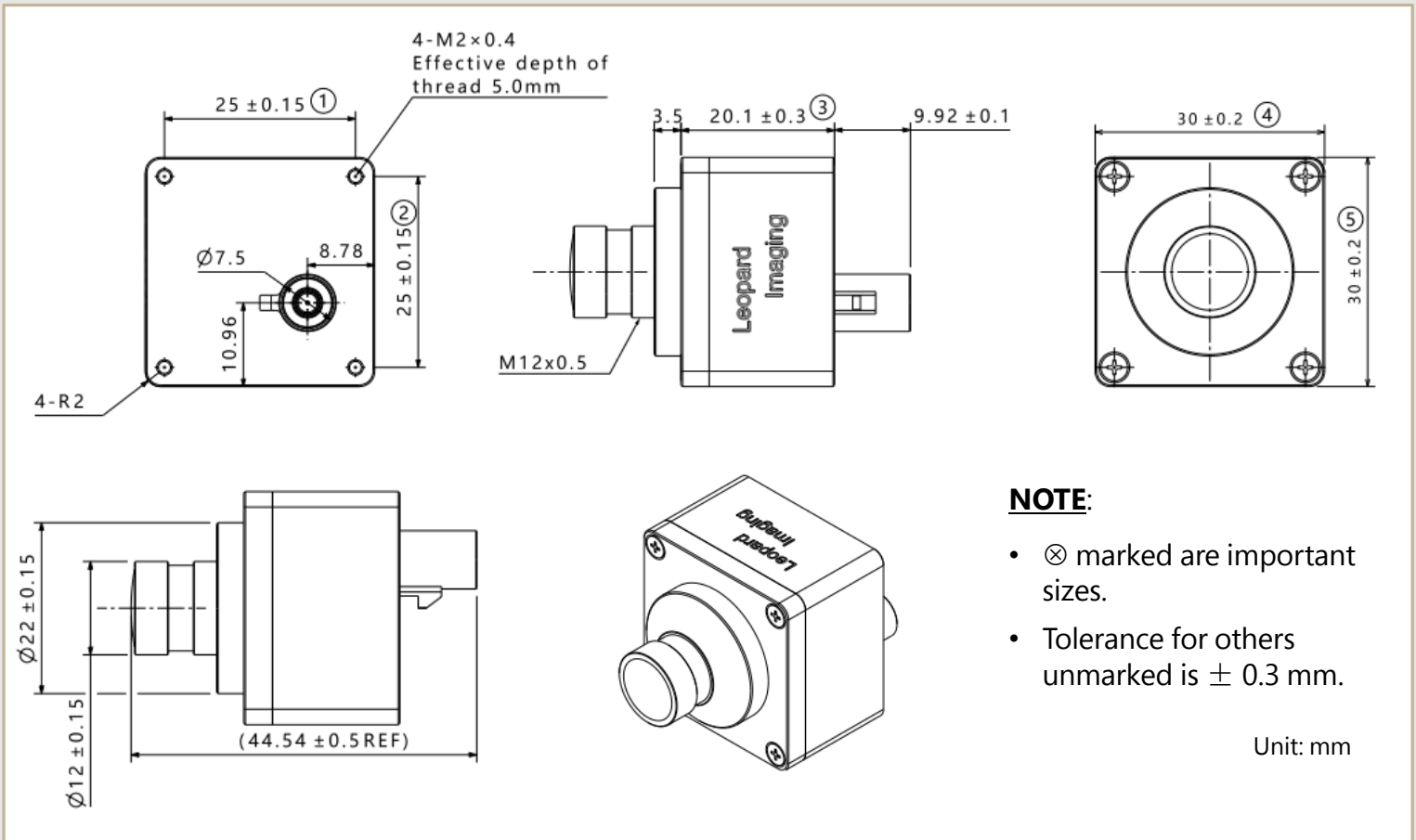
- Automotive
 - ◆ 360° Surround View System
 - ◆ Rear View Camera
 - ◆ Lane Departure Warning / Lane Keep Assist
 - ◆ Camera Monitoring System
 - ◆ Autonomous Driving

LENS SPECIFICATIONS

Focal Length	4.487 mm
Aperture, F/#	1.7
Field of View (FOV)	77.40° horizontal
Optical Distortion	-20.05% (f-tan θ)
Relative Illumination	46.53%
IR Filter	648 nm IR cut filter
Lens Mount	M12 x P0.5



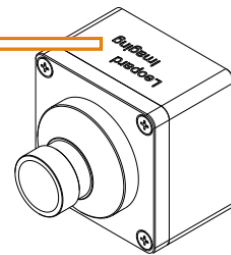
DIMENSIONS



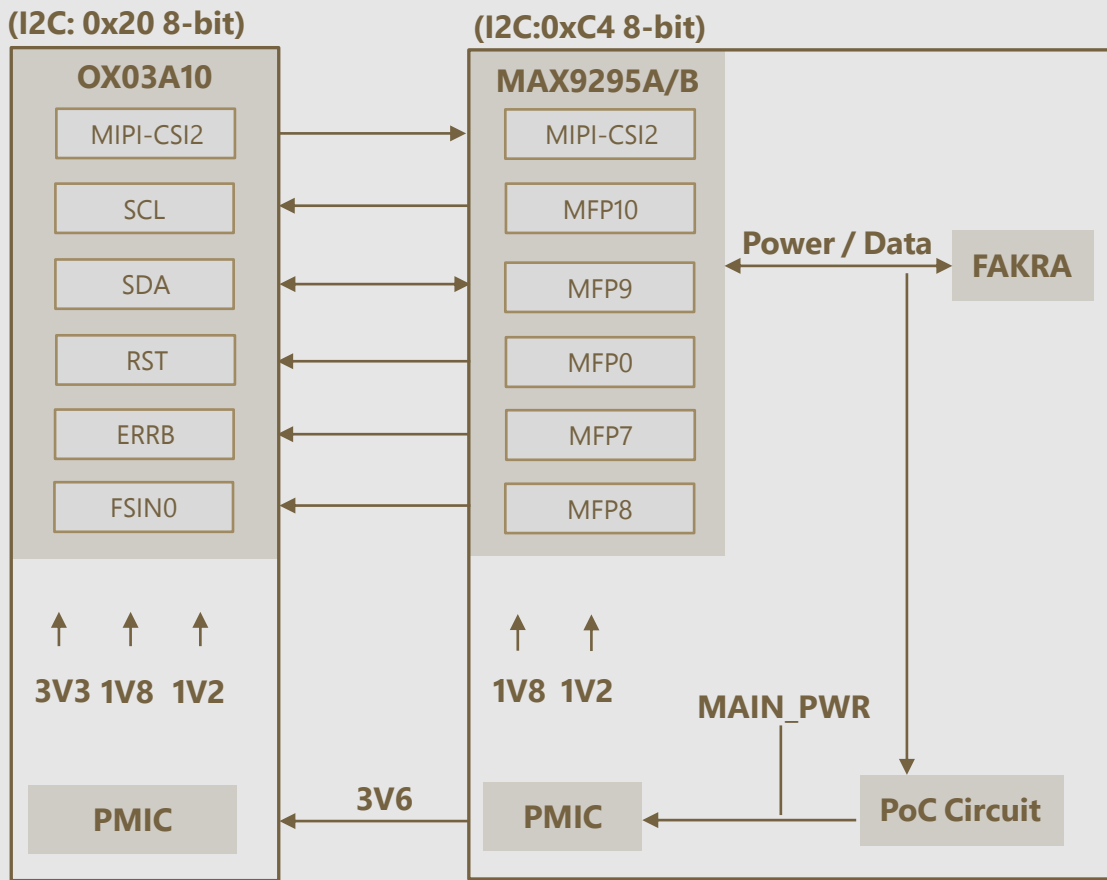
DEFAULT IMAGING DIRECTION

- The logo "Leopard Imaging" is on the TOP.

TOP (Default Imaging Direction)

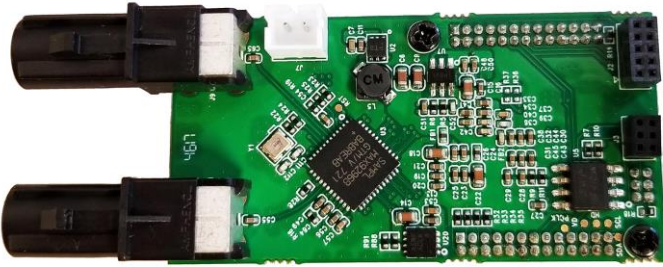


PINOUT CONNECTIONS

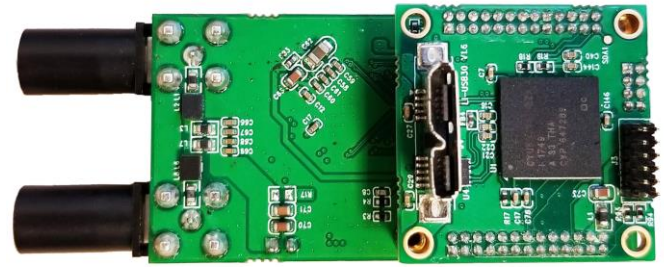


USB3.0 CAMERA KIT

LI-GMSL2-USB



Top View



Bottom View

LI-OX03A10-GMSL2-077H can connect to LI-GMSL2-USB as a USB 3.0 camera.

Part#: **LI-USB30-OX03A10-GMSL2-077H**

SPECIFICATIONS

- USB 3.0 Super Speed support
- UVC compliant
- Allows customization
- 12 VDC Power Supply for camera
- Weight: ~ 190 g
- Single Coax Cable transmits up to 12 meters PoC (Power over Cable)
- Resolution: 1920 x 1280 @ 30 fps
- Power consumption: 64 mA @ 12 VDC
- Compatible with Windows, Linux OS and other OS which have UVC drivers

BOM

#	Items	QTY
1	LI-OX03A10-GMSL2-077H	1
2	LI-GMSL2-USB	1
3	3-Meter Fakra Cable	1
4	12 VDC Power Supply	1
5	USB3.0 Cable	1



SDK SUPPORTED

- Camera Tool Source Code in C#
- Capture & Display
- Register Access Function

- REVISION HISTORY

Revision	Description	Release Date
0.1	Initial draft.	22 Apr 2022

910 Auburn Ct, Fremont, CA 94538, USA
Phone: +1-408-263-0988
Fax: +1-408-217-1960
Email: sales@leopardimagng.com
Website: www.leopardimaging.com

