



LEOPARD
IMAGING

LI-IMX715-MIPI-M12



Address:

910 Auburn Ct
Fremont, CA 94538
USA



Phone:

+1 (408)263-0988

Fax:

+1 (408)217-1960



Sales:

sales@leopardimaging.com

Support:

support@leopardimaging.com

INTRODUCTION

The LI-IMX715-MIPI-M12 is a MIPI CSI-2 camera equipped with Sony diagonal 6.43 mm (Type 1/2.8) CMOS solid-state image sensor IMX715 which has low power consumption, high sensitivity and low dark current. This camera outputs 10-bit / 12-bit RAW data.

SPECIFICATIONS

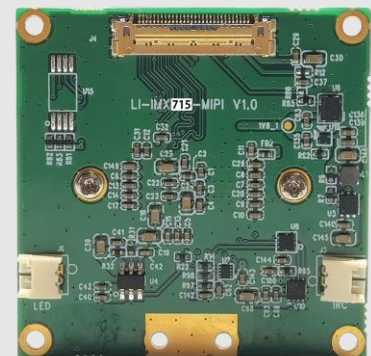
Sensor	Sony Diagonal 6.43 mm (Type 1/2.8) CMOS Image Sensor IMX715
Optical Format	1/2.8"
Resolution	3864 (H) x 2176 (V) (active pixels)
Pixel Size	1.45 x 1.45 μm
Output Format	10-bit / 12-bit RAW data
Maximum Frame Rate	12-bit: 60.3 fps @ all-pixel scan mode 10-bit: 90.9 fps @ all-pixel scan mode
ISP	Not included
Color / Mono	Color sensor
Interface	4-lane MIPI CSI-2
Power Consumption	170 mA @ 3.3 VDC (3864 x 2192 @ 6 fps)
Operating Temp	-30°C ~ +85°C
Storage Temp	-40°C ~ +85°C
Weight	~ 18 g
Part#	LI-IMX715-MIPI-M12

APPLICATIONS

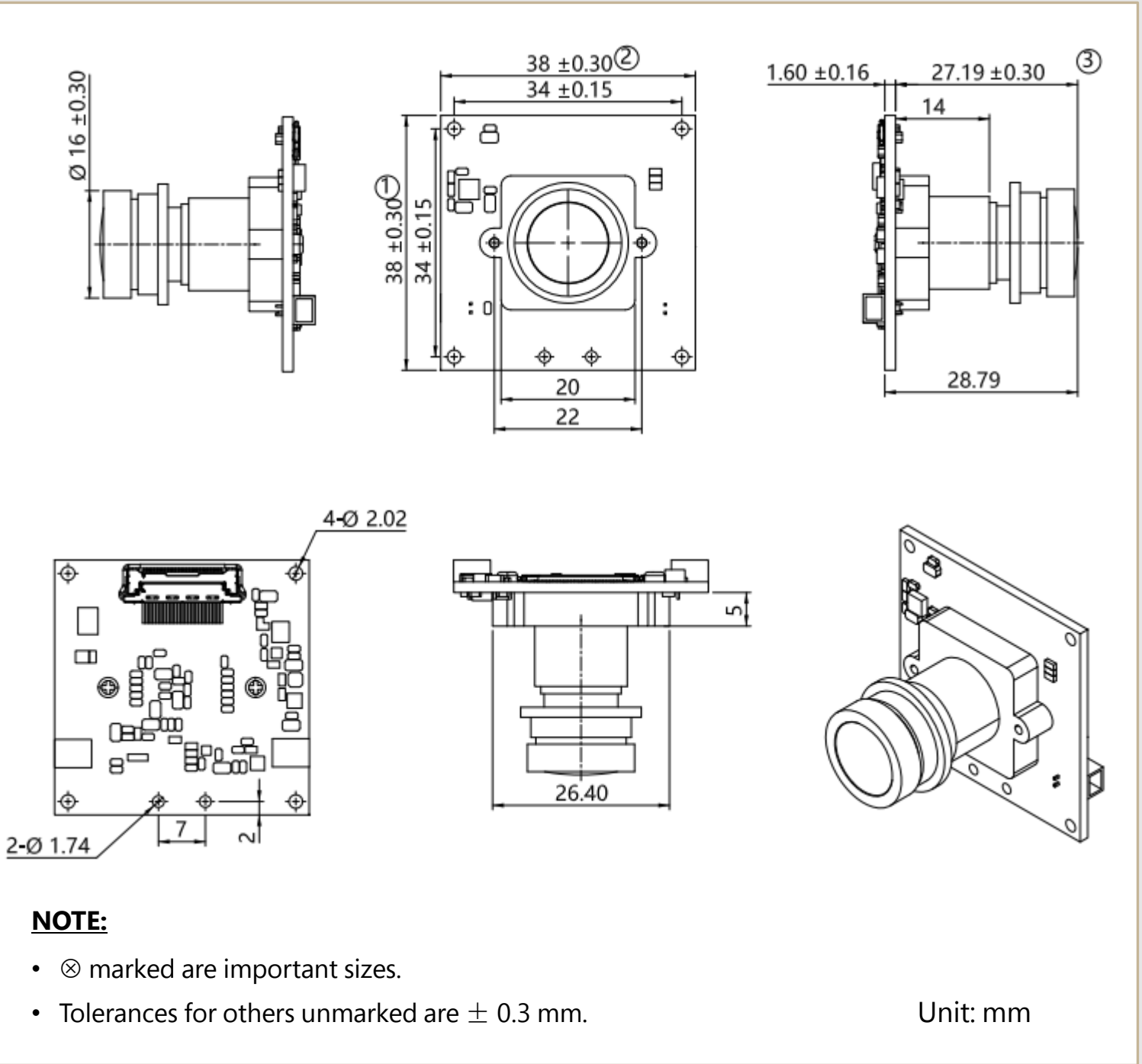
- IoT
- Drone
- Robots

LENS SPECIFICATIONS

Effective Focal Length	4.063 mm
Aperture, F/#	2.29 \pm 5%
Field of View (FOV)	81.7° horizontal
	44.7° vertical
	95.1° diagonal
Optical Distortion	-28.1%
Relative Illumination	59.1%
IR Filter	650 nm IR cut filter
Lens Mount	M12 x 0.5



DIMENSIONS



NOTE:

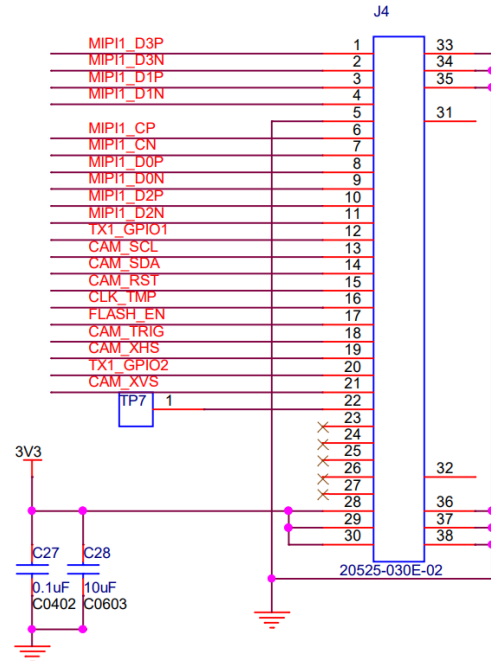
- \otimes marked are important sizes.
- Tolerances for others unmarked are ± 0.3 mm.

Unit: mm

INTERFACE J4

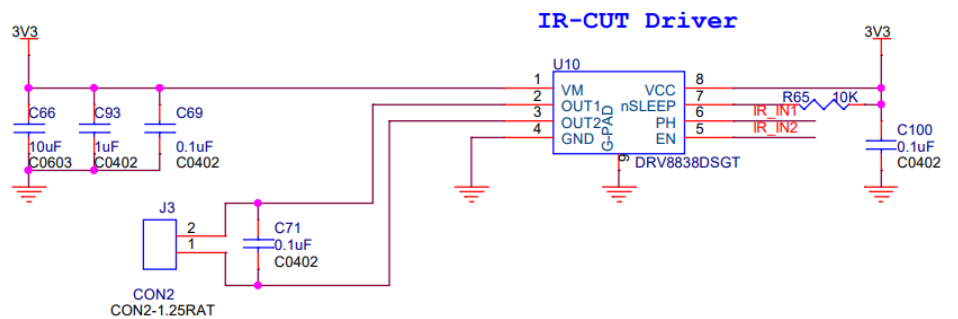
- Connector Part#: 20525-030E-02
- Number of Positions: 30
- Pitch: 0.4 mm
- Mating I-PEX Cable: LI-FAW-1233

I-PEX 0.4mm pitch connector



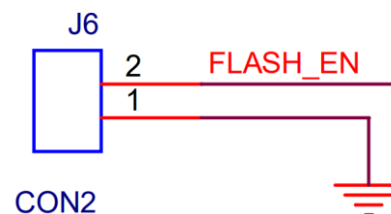
INTERFACE J3

- Connector Part#: 1734829-2
- Number of Positions: 2
- Pitch: 1.25 mm



INTERFACE J6

- Connector Part#: 1734829-2
- Number of Positions: 2
- Pitch: 1.25 mm



● REVISION HISTORY

Revision	Description	Release Date
1.0	First release.	28 Jul 2022

910 Auburn Ct, Fremont, CA 94538, USA
Phone: +1-408-263-0988
Fax: +1-408-217-1960
Email: sales@leopardimagng.com
Website: www.leopardimaging.com

