



LEOPARD
IMAGING

LI-IMX530-GMSL2-NL



Address:

910 Auburn Ct
Fremont, CA 94538
USA



Phone:

+1 (408)263-0988

Fax:

+1 (408)217-1960



Sales:

sales@leopardimaging.com

Support:

support@leopardimaging.com

INTRODUCTION

The LI-IMX530-GMSL2-NL is equipped with Sony diagonal 19.3 mm (Type 1.2) 24.55MP CMOS image sensor IMX530 and Maxim GMSL2 serializer MAX9295A/B. Assembled with no lens, this camera outputs 8-bit / 10-bit / 12-bit RAW data.

SPECIFICATIONS

Sensor	Sony Diagonal 19.3 mm CMOS Image Sensor IMX530
Optical Format	1.2"
Resolution	5328 (H) x 4608 (V) (active pixels)
Pixel Size	2.74 x 2.74 μm
Output Format	8-bit / 10-bit / 12-bit RAW data
Color / Mono	Monochrome
Frame Rate	12-bit: 14.7 fps @ 5312 x 4608
Serializer	Maxim MAX9295A/B
FPGA	Included, mainly for signal conversion from LVDS to MIPI
Power Supply Range	9 ~ 19 VDC
Connector	FAKRA Z TYPE
Lens	No
Lens Mount	C-mount
Power Consumption	Approx. 243 mA @ 12 VDC (5312 x 4608 @ 14.7 fps)
Operating Temp	-20°C ~ +85°C
Storage Temp	-20°C ~ +85°C
Weight	~ 76 g
Part#	LI-IMX530-GMSL2-NL

APPLICATIONS

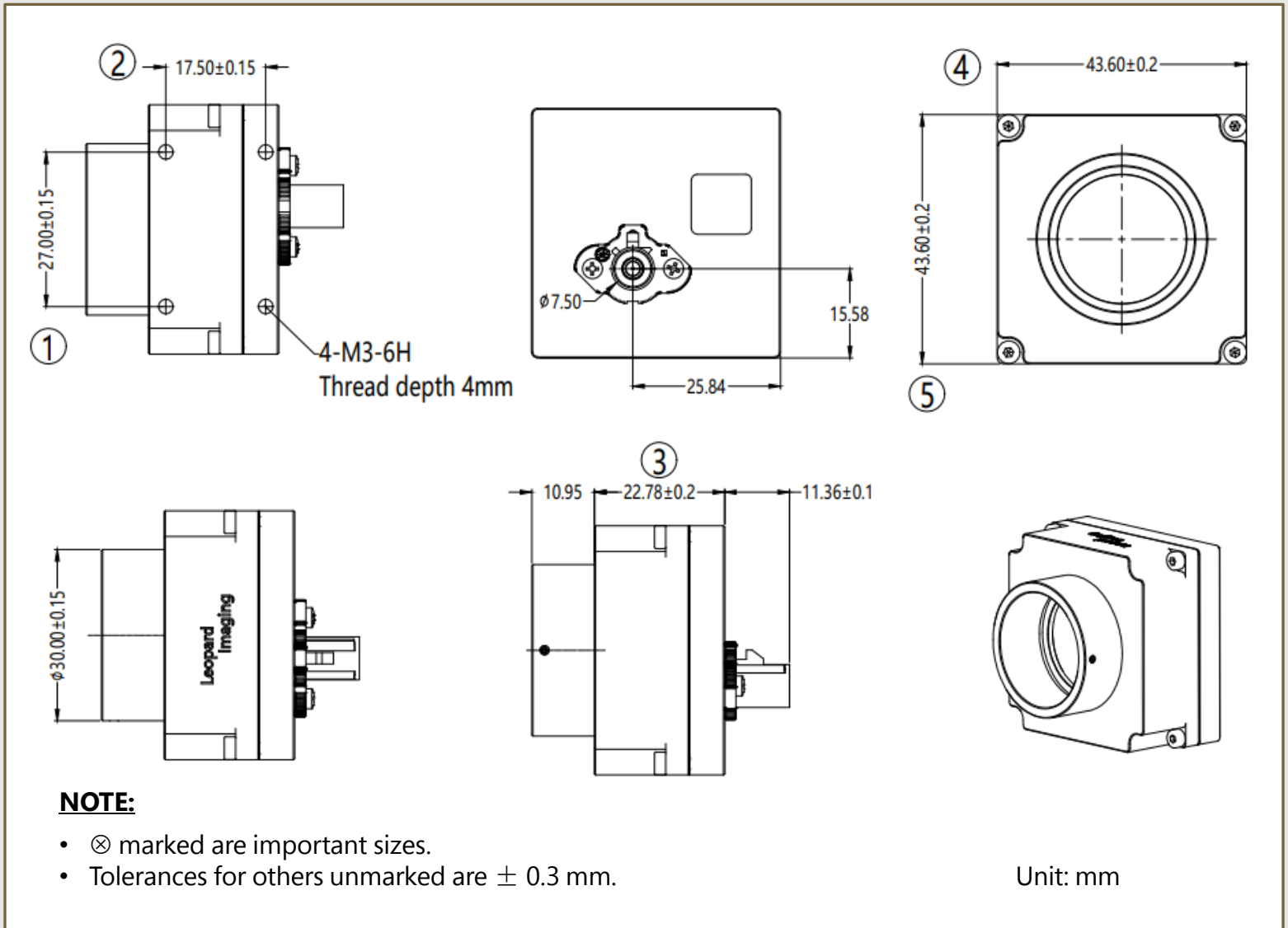
- ITS Cameras
- FA Cameras

NOTE:

Lens is not included in LI-IMX530-GMSL2-NL.



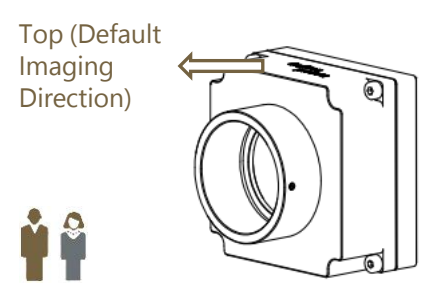
DIMENSIONS (Without Lens)



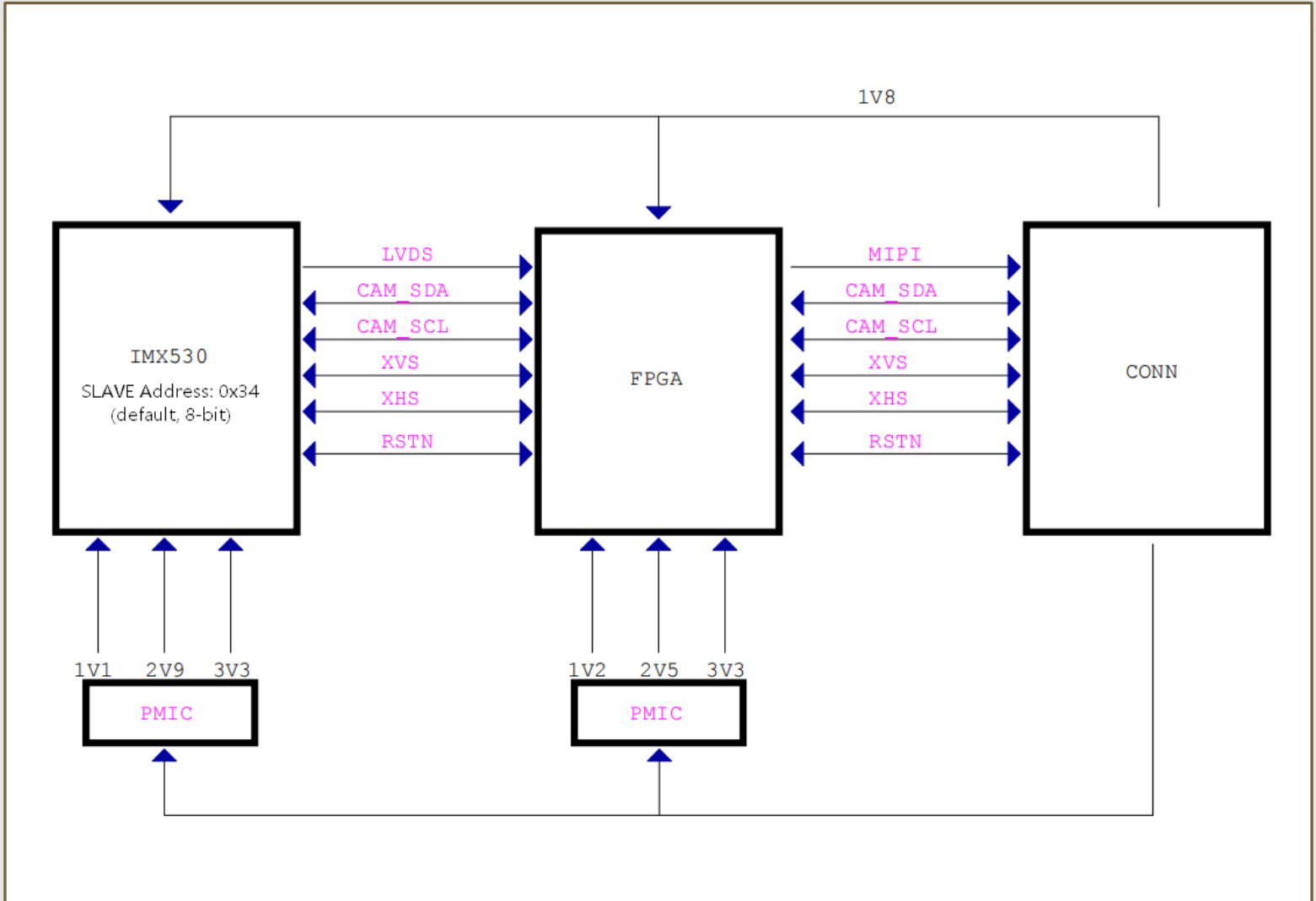
DEFAULT IMAGING DIRECTION

- The logo "Leopard Imaging" is on the TOP.

Top (Default Imaging Direction)



BLOCK DIAGRAM



- REVISION HISTORY

Revision	Description	Release Date
1.0	First release.	16 Sep 2022

910 Auburn Ct, Fremont, CA 94538, USA
Phone: +1-408-263-0988
Fax: +1-408-217-1960
Email: sales@leopardimagng.com
Website: www.leopardimaging.com

