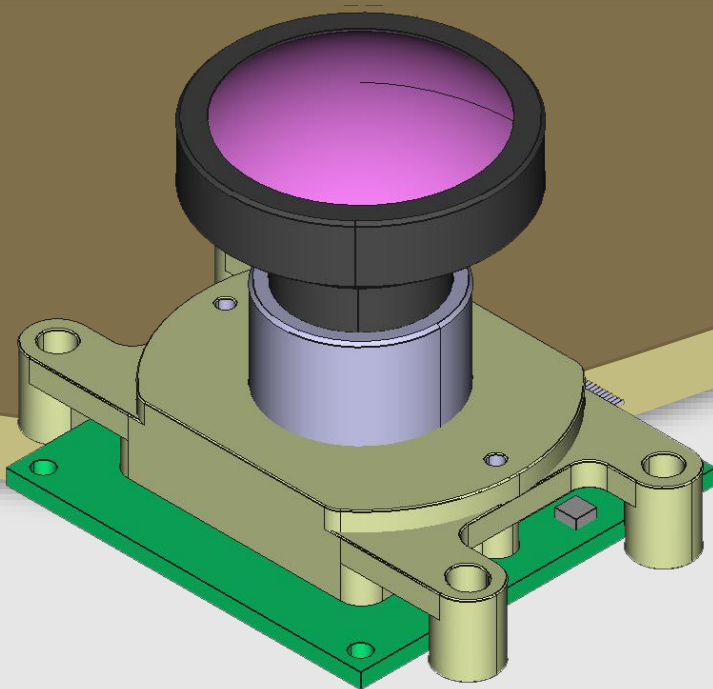




LEOPARD
IMAGING

LI-IMX464-MIPI-093H



Address:

910 Auburn Ct
Fremont, CA 94538
USA



Phone:

+1 (408)263-0988

Fax:

+1 (408)217-1960



Sales:

sales@leopardimaging.com

Support:

support@leopardimaging.com

INTRODUCTION

The LI-IMX464-MIPI-093H is a MIPI CSI-2 camera with Sony diagonal 9.04 mm (Type 1/1.8) CMOS solid-state image sensor IMX464 which ensures high-sensitivity, low dark current, low power consumption and no smear. This camera outputs 10-bit / 12-bit RAW data.

SPECIFICATIONS

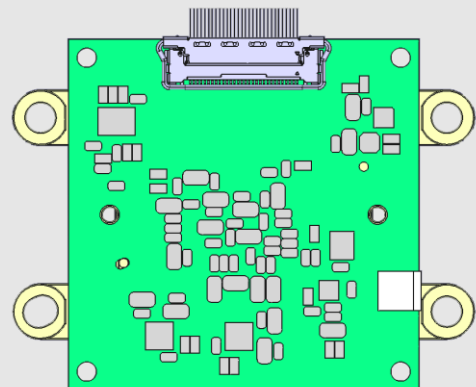
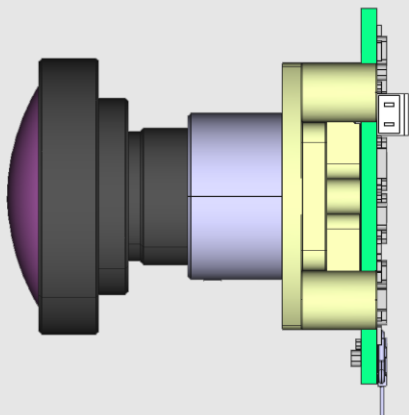
Sensor	Sony Diagonal 9.04 mm (Type 1/1.8) CMOS Image Sensor IMX464
Optical Format	1/1.8"
Resolution	2712 (H) x 1536 (V) (active pixels)
Pixel Size	2.9 x 2.9 μm
Output Format	10-bit / 12-bit RAW data
Maximum Frame Rate	90 fps @ 2688 x 1520
ISP	Not included
Color / Mono	Color
Interface	4-lane MIPI CSI-2
Power Consumption	123 mA @ 3.3 VDC
Operating Temp	-30°C ~ +80°C
Storage Temp	-30°C ~ +80°C
Weight	TBD
Part#	LI-IMX464-MIPI-093H

APPLICATIONS

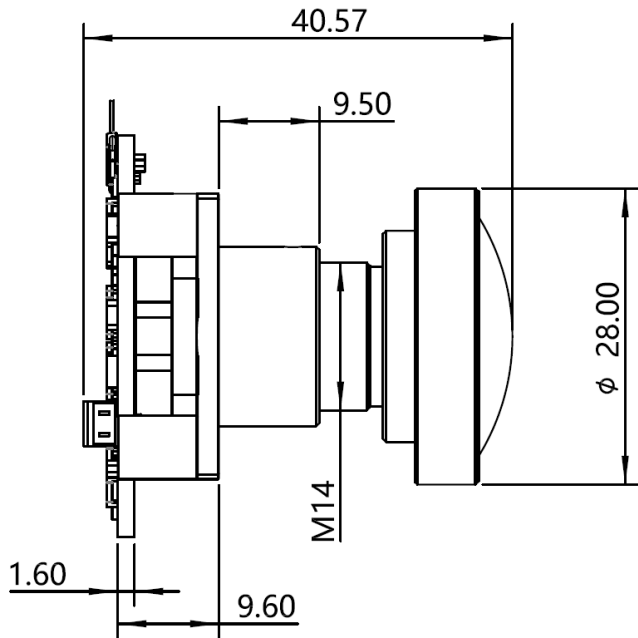
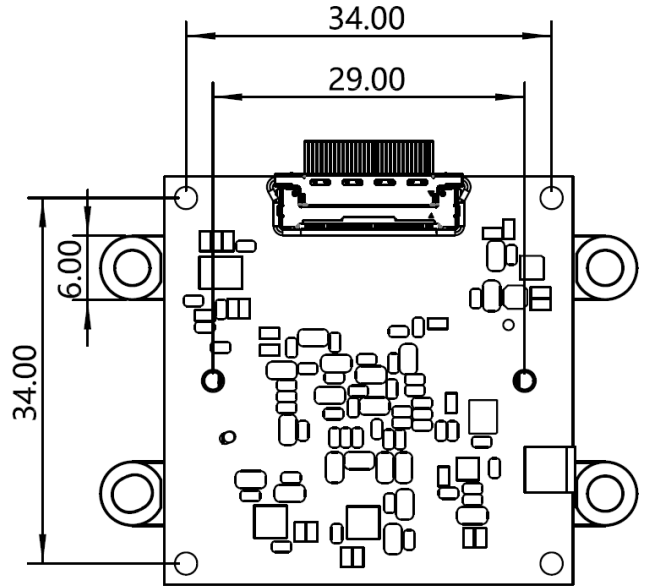
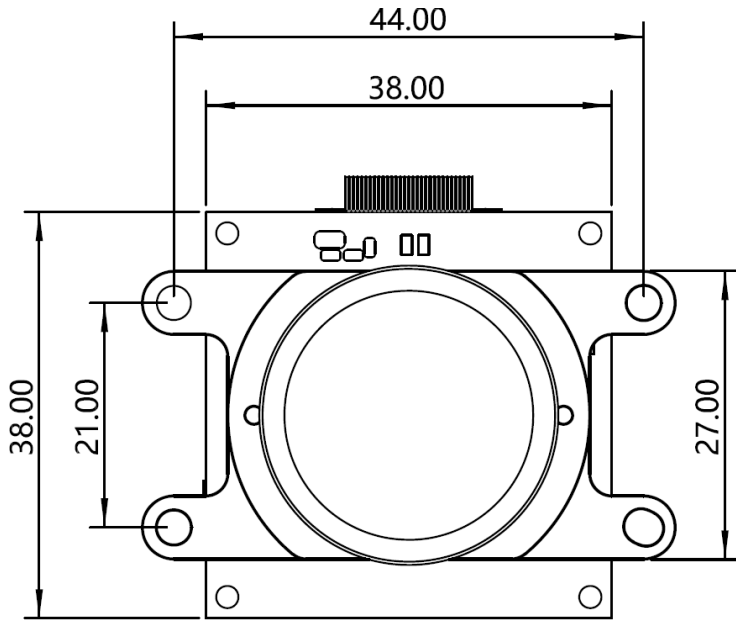
- IoT
- Drone
- Robots

LENS SPECIFICATIONS

Focal Length	3.98 mm
Aperture, F/#	2.8
Field of View (FOV)	93° horizontal
Optical Distortion	< -10.8%
Relative Illumination	> 50%
IR Filter	650 nm IR cut filter
Lens Mount	M14 x 0.5



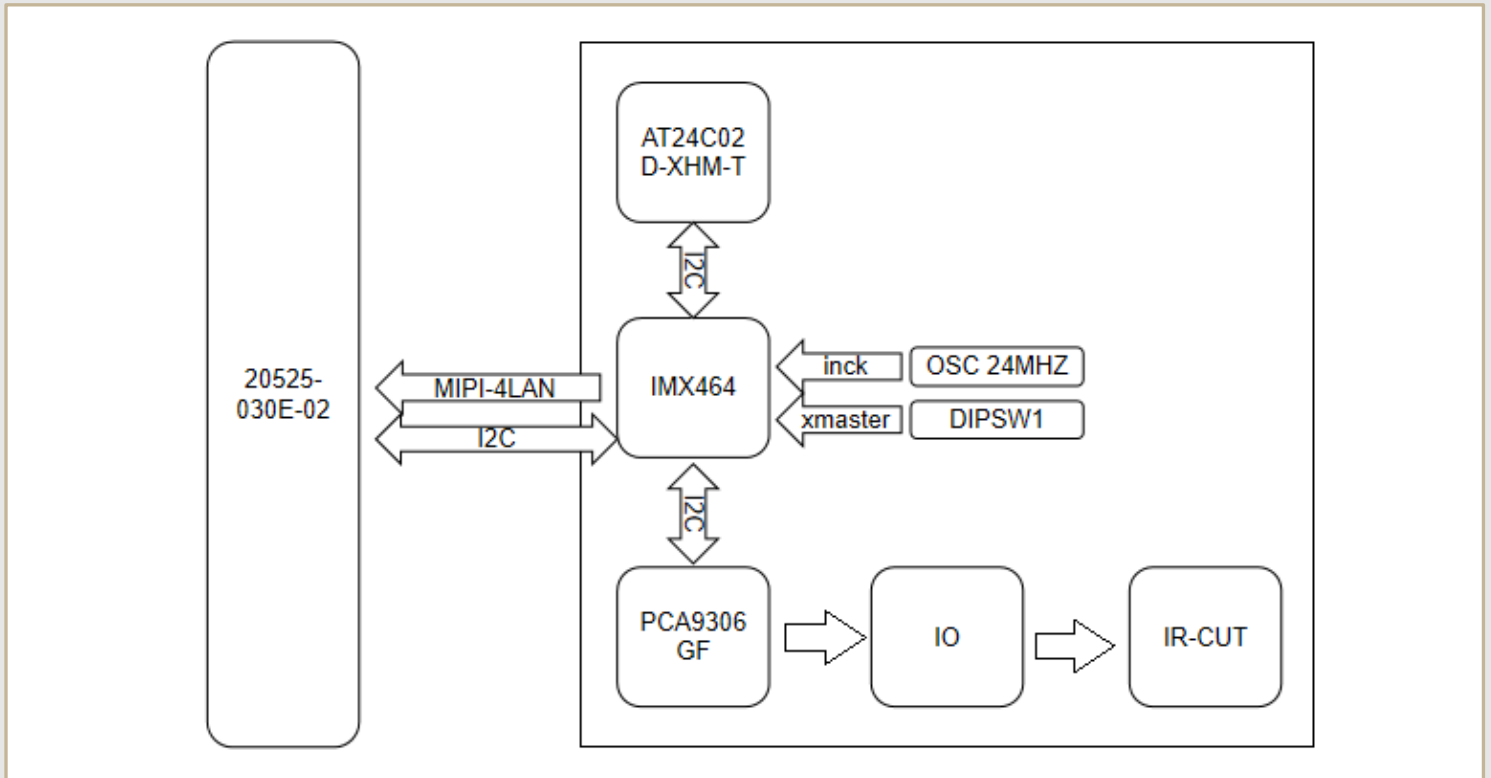
DIMENSIONS



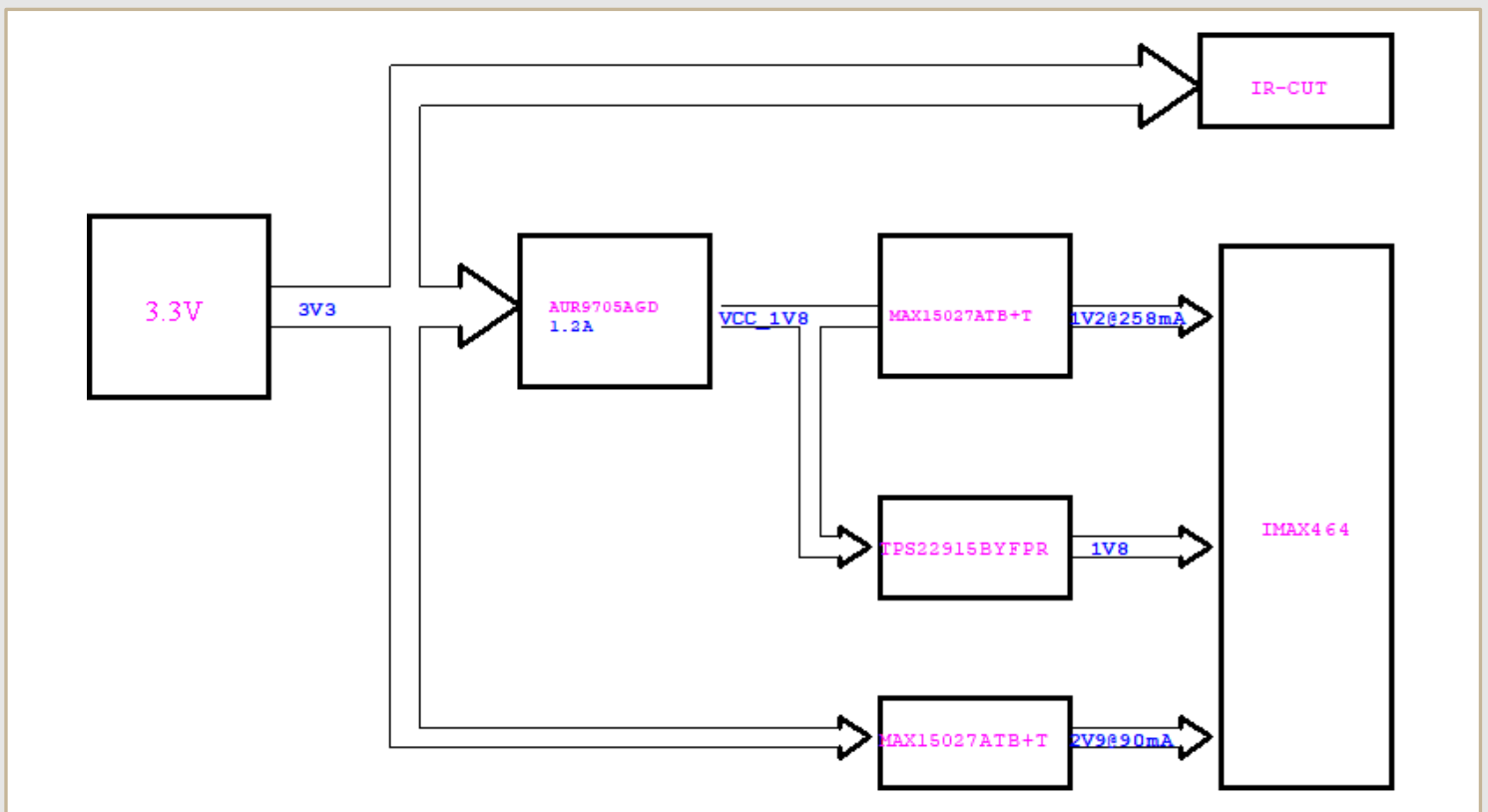
TOLERANCE TABLE		
Size X (mm)	Tolerance (mm)	Angle Tolerance (°)
0.5 < X ≤ 3	±0.1mm	±0.05°
3 < X ≤ 6	±0.1mm	±0.05°
6 < X ≤ 30	±0.2mm	±0.05°
30 < X ≤ 120	±0.3mm	±0.05°
120 < X ≤ 400	±0.5mm	±0.1°
400 < X ≤ 1000	±0.8mm	±0.1°
X > 1000	±1.2mm	±0.1°

Unit: mm

SYSTEM BLOCK DIAGRAM



POWER BLOCK DIAGRAM



● SOFTWARE SUPPORT

Platforms	Latest Drivers
NVIDIA Jetson Platforms	Please check detailed Jetson driver information: https://www.leopardimaging.com/driver-support/
Leopard USB3.0 Tester	The latest firmware will be pre-installed into the USB3.0 Camera Kit

- REVISION HISTORY

Revision	Description	Release Date
1.0	First release.	20 Aug 2021
1.1	Deleted info quoted from sensor spec.	26 May 2022

910 Auburn Ct, Fremont, CA 94538, USA

Phone: +1-408-263-0988

Fax: +1-408-217-1960

Email: sales@leopardimaging.com

Website: www.leopardimaging.com

