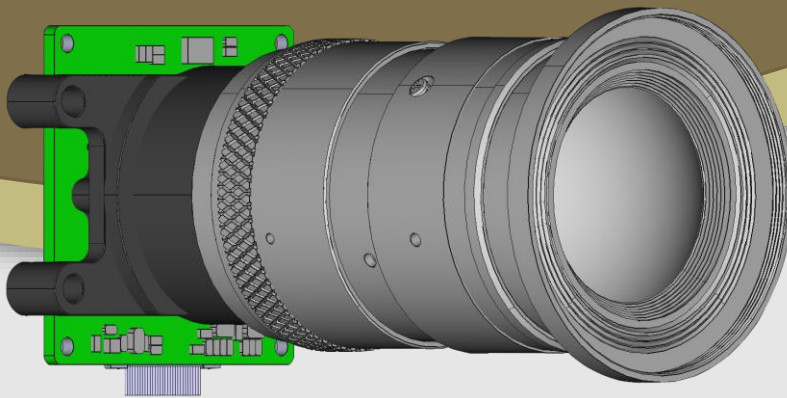




**LEOPARD**  
IMAGING

# LI-IMX421-CSLINK-MIPI-055H



**Address:**

910 Auburn Ct  
Fremont, CA 94538  
USA



**Phone:**

+1 (408)263-0988

**Fax:**

+1 (408)217-1960



**Sales:**

[sales@leopardimaging.com](mailto:sales@leopardimaging.com)

**Support:**

[support@leopardimaging.com](mailto:support@leopardimaging.com)

## INTRODUCTION

The LI-IMX421-CSLINK-MIPI-055H is a MIPI CSI-2 camera with diagonal 11.0 mm (Type 2/3) CMOS solid-state image sensor IMX421 which achieves high-sensitivity, low dark current, low power consumption and low PLS characteristics. This camera outputs 8-bit / 10-bit / 12-bit RAW data.

## SPECIFICATIONS

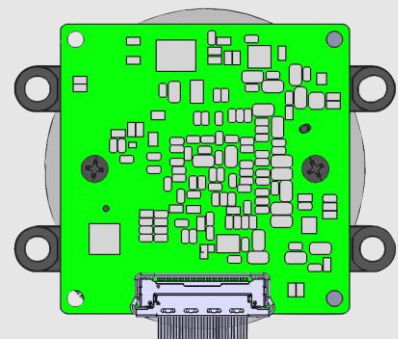
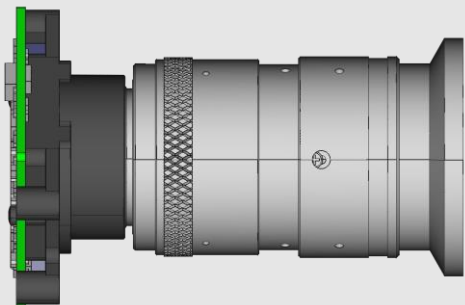
Sensor	Diagonal 11.0 mm (Type 2/3) CMOS Solid-State Image Sensor IMX421
Optical Format	2/3"
Resolution	1944 (H) x 1472 (V) (active pixels)
Pixel Size	4.5 x 4.5 $\mu\text{m}$
Output Format	8-bit / 10-bit / 12-bit RAW data
Color / Mono	Monochrome
Frame Rate	60 fps @ 1920 x 1096
Shutter	Global shutter
ISP	Not included
FPGA	Included for signal conversion from SLVS to MIPI
Interface	4-lane MIPI CSI-2
Power Consumption	477 mA @ 5 VDC
Operating Temp	-20°C ~ +70°C
Storage Temp	-40°C ~ +85°C
Weight	TBD
Part#	LI-IMX421-CSLINK-MIPI-055H

## APPLICATIONS

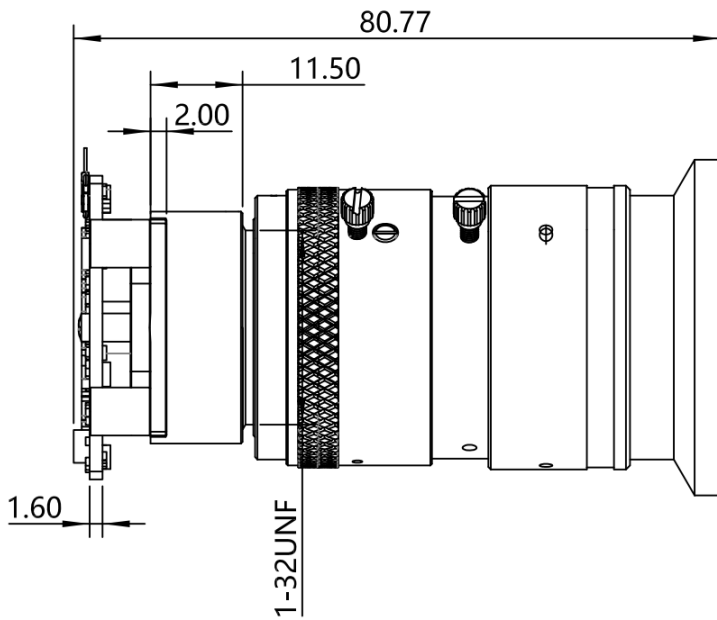
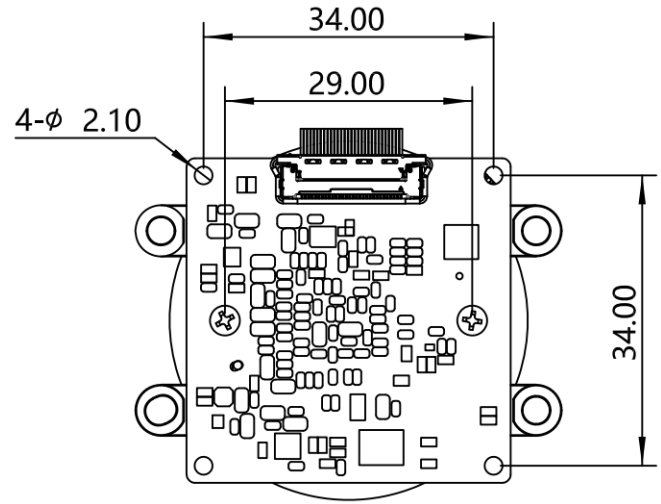
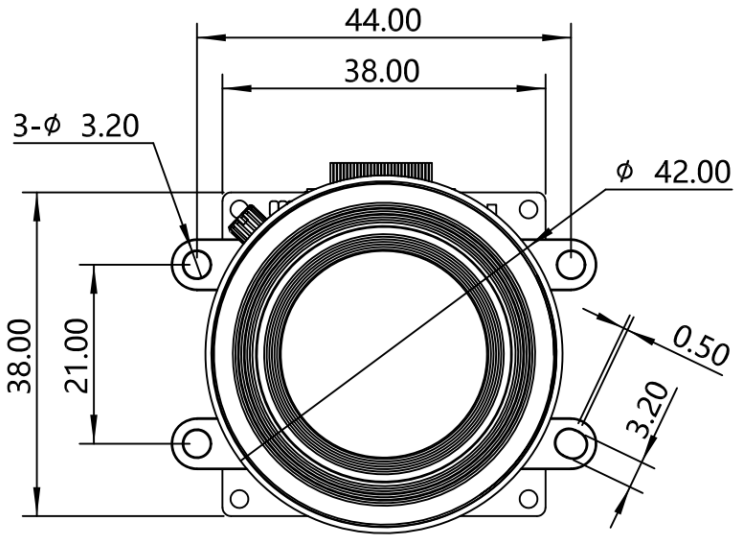
- IoT
- Drone
- Robots

## LENS SPECIFICATIONS

Focal Length	8.6 mm
Aperture, F/#	1.6
Field of View (FOV)	68° diagonal
	55° horizontal
	43° vertical
Optical Distortion	< -4.8%
Relative Illumination	> 50%
Lens Mount	C-Mount



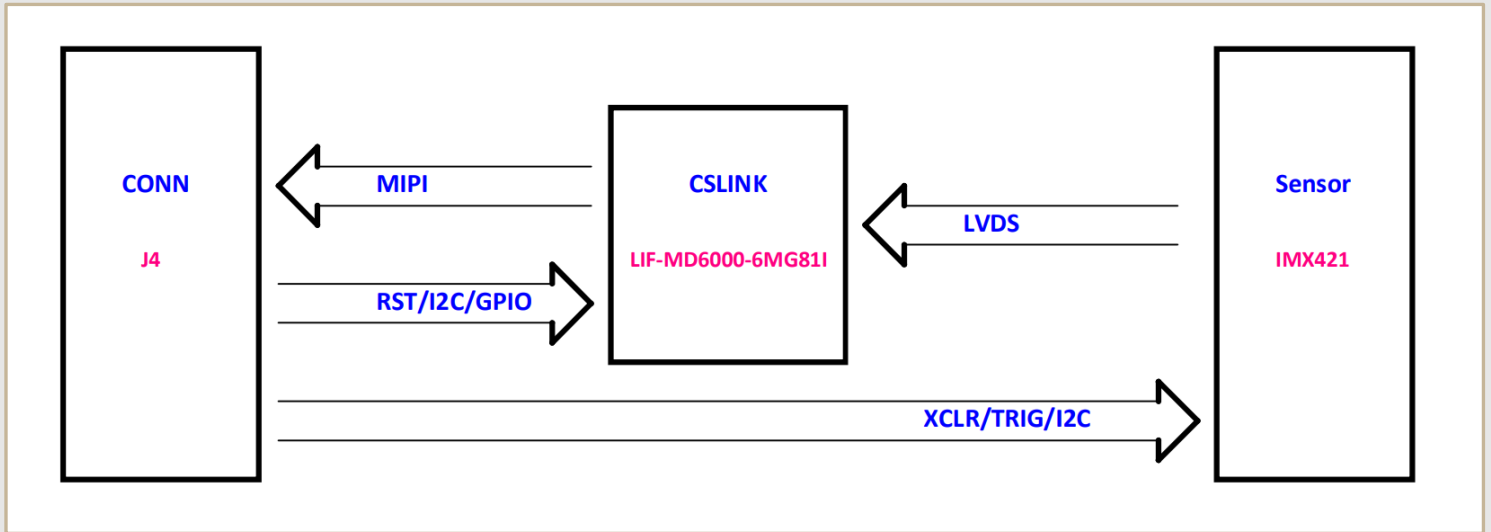
# DIMENSIONS



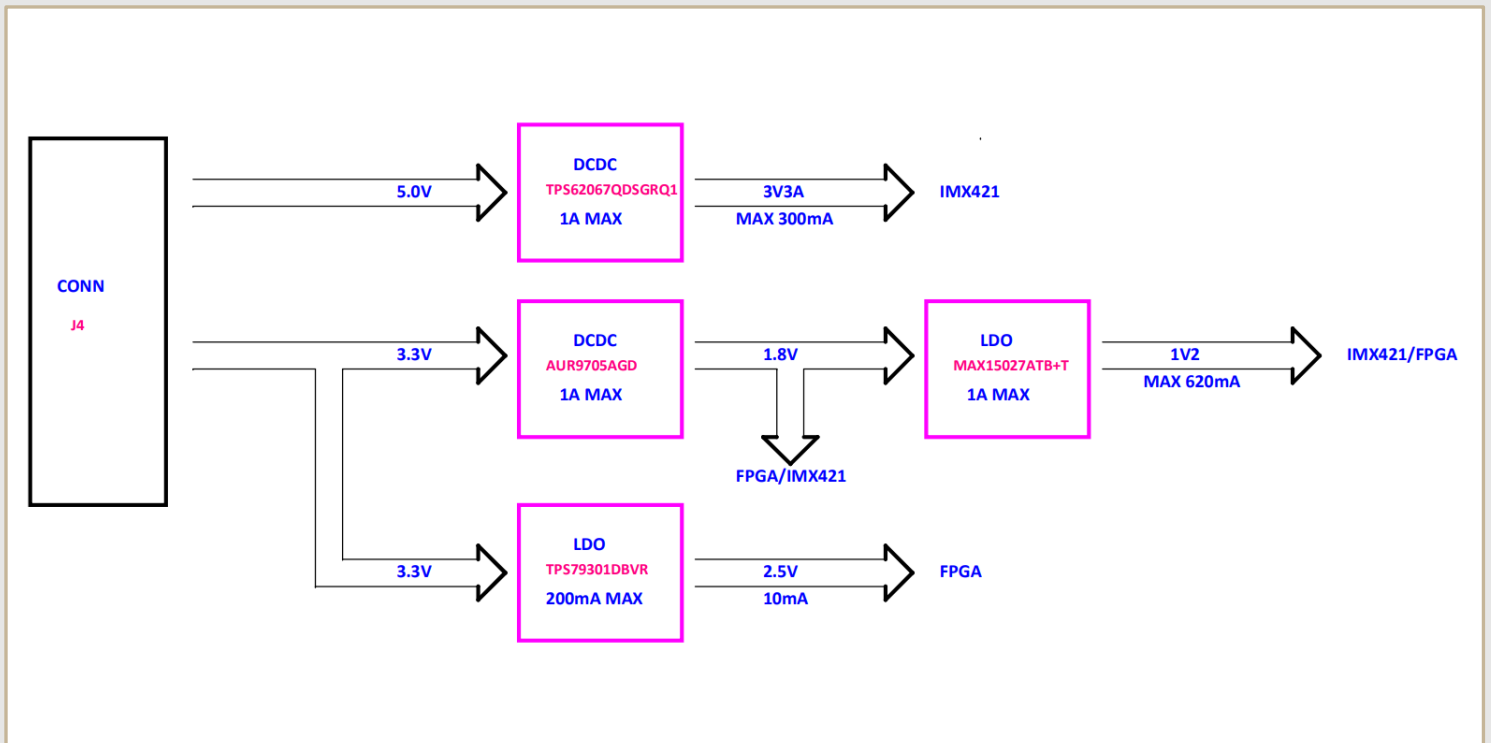
TOLERANCE TABLE		
Size X (mm)	Tolerance (mm)	Angle Tolerance (°)
0.5 < X ≤ 3	±0.1mm	±0.05°
3 < X ≤ 6	±0.1mm	±0.05°
6 < X ≤ 30	±0.2mm	±0.05°
30 < X ≤ 120	±0.3mm	±0.05°
120 < X ≤ 400	±0.5mm	±0.1°
400 < X ≤ 1000	±0.8mm	±0.1°
X > 1000	±1.2mm	±0.1°

Unit: mm

## SYSTEM BLOCK DIAGRAM



## POWER BLOCK DIAGRAM



## ● SOFTWARE SUPPORT

Platforms	Latest Drivers
NVIDIA Jetson Platforms	Please check detailed Jetson driver information: <a href="https://www.leopardimaging.com/driver-support/">https://www.leopardimaging.com/driver-support/</a>
Leopard USB3.0 Tester	The latest firmware will be pre-installed into the USB3.0 Camera Kit

- REVISION HISTORY

Revision	Description	Release Date
1.0	First release.	06 Aug 2021
1.1	Deleted info quoted from sensor spec.	26 May 2022

910 Auburn Ct, Fremont, CA 94538, USA

Phone: +1-408-263-0988

Fax: +1-408-217-1960

Email: [sales@leopardimaging.com](mailto:sales@leopardimaging.com)

Website: [www.leopardimaging.com](http://www.leopardimaging.com)

