



LEOPARD
IMAGING

LI-IMX334-MIPI-M12-HAILO



Address:

910 Auburn Ct
Fremont, CA 94538
USA



Phone:

+1 (408)263-0988

Fax:

+1 (408)217-1960



Sales:

sales@leopardimaging.com

Support:

support@leopardimaging.com

INTRODUCTION

The LI-IMX334-MIPI-M12-HAILO is a MIPI CSI-2 camera equipped with Sony diagonal 8.86 mm (Type 1/1.8) 8.4MP CMOS image sensor IMX334 which features low power consumption, high sensitivity and low dark current. This camera is compatible with Hailo AI Platform Hailo-15.

SPECIFICATIONS

Sensor	Sony Diagonal 8.86 mm CMOS Image Sensor IMX334
Optical Format	1/1.8"
Resolution	3864 (H) x 2176 (V) (active pixels)
Pixel Size	2.0 x 2.0 μm
Output Format	10-bit / 12-bit RAW data
Maximum Frame Rate	12-bit: 60 fps @ all pixel scan mode
ISP	Not included
Color / Mono	Color sensor
Interface	4-lane MIPI CSI-2
HDR (High Dynamic Range)	Support
Power Consumption	274 mA @ 5 VDC 3864 x 2180 @ 17.7 fps
Operating Temp	-30°C ~ +60°C
Storage Temp	-40°C ~ +85°C
Weight	~ 14 g
Part#	LI-IMX334-MIPI-M12-HAILO

- IoT
- Drone
- Robots

LENS SPECIFICATIONS

Effective Focal Length	3.25 \pm 5% mm
Aperture, F/#	2.6 \pm 10%
Field of View (FOV)	100° horizontal
IR Filter	650 nm IR cut filter
Lens Mount	M12 x P0.5

BOM

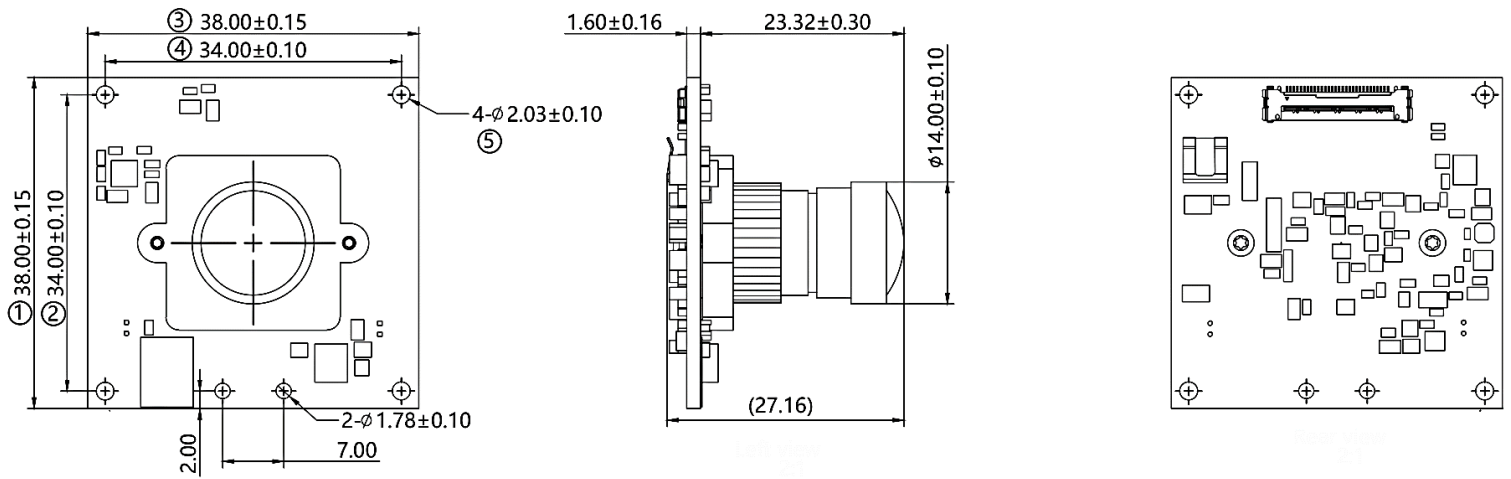
#	Items	QTY
1	LI-IMX334-MIPI-M12-HAILO	1
2	FAW-1233-03 cable	1

NOTE:

Hailo-15 Developer board is **NOT** included.



DIMENSIONS



TOLERANCE TABLE					
LENGTH TOLERANCE		CHAMFER TOLERANCE		ANGLE TOLERANCE	
Size X	Tolerance	Size X	Tolerance	Size X	Tolerance
$0.5 < X \leq 3$	± 0.1	$0.5 < X \leq 3$	± 0.2	$X \leq 10$	$\pm 1^\circ$
$3 < X \leq 6$	± 0.1	$3 < X \leq 6$	± 0.5	$10 < X \leq 50$	$\pm 30'$
$6 < X \leq 30$	± 0.2	$6 < X \leq 30$	± 1	$50 < X \leq 120$	$\pm 20'$
$30 < X \leq 120$	± 0.3			$120 < X \leq 400$	$\pm 10'$
$120 < X \leq 400$	± 0.5				
$400 < X \leq 1000$	± 0.8				
$X > 1000$	± 1.2				

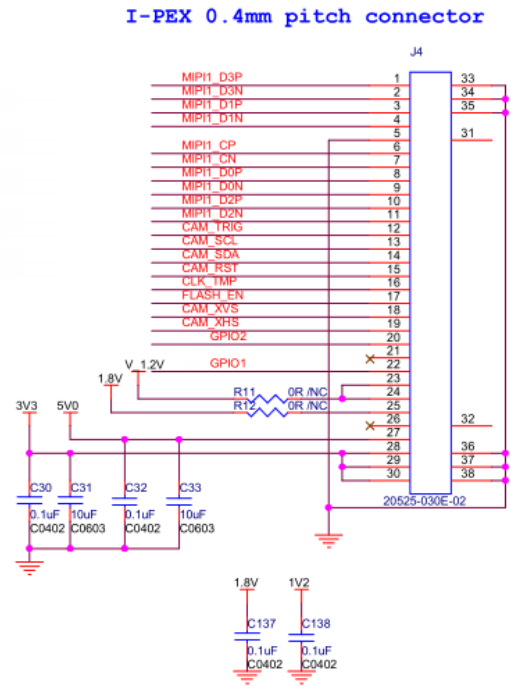
NOTE:

- ⊗ marked are important sizes.
- Tolerances for the unmarked – refer to the Tolerance table.
- All materials are compliant with RoHS requirements.

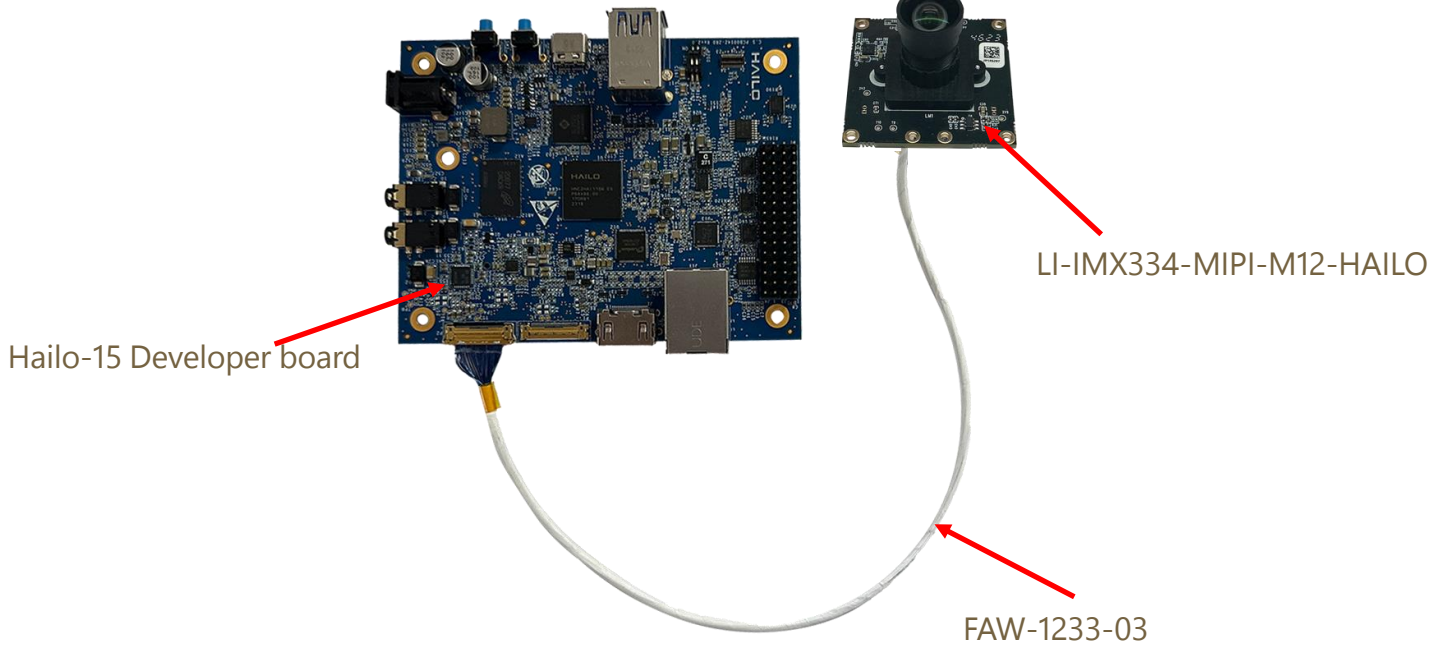
Unit: mm

INTERFACE J4

- Connector Part#: 20525-030E-02
- Number of Positions: 30
- Pitch: 0.4 mm
- Mating I-PEX Cable: FAW-1233
- Sensor I2C Address: 0x1A (7-bit)
- External Power Supply: 3.3V, 5V0
- 1.2V, 1.8V are generated from board



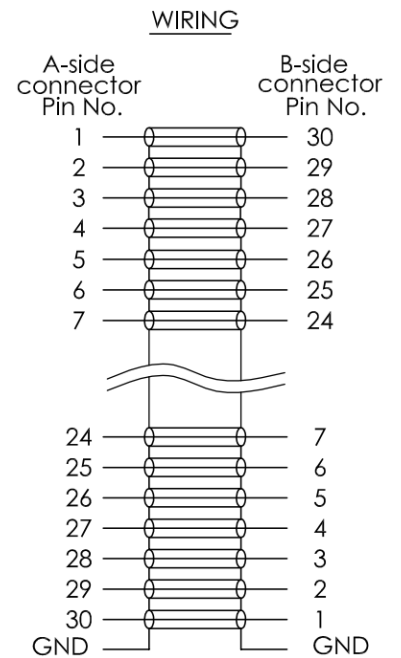
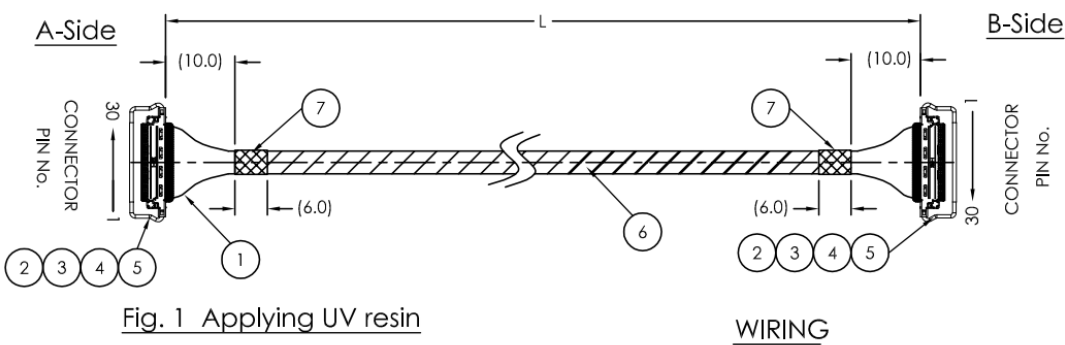
CAMERA CONNECTION WITH HAILO-15



FAW-1233-03 Cable



MECHANICAL DIAGRAM



NOTE:

- Total length: 300.0 ± 10.0.
- Apply UV resin at the end of connector to cover cables both sides of the cable assembly (Fig.1).

Unit: mm

● REVISION HISTORY

Revision	Description	Release Date
1.0	First release.	4 Feb 2024
1.1	1. Added compatible platform, BOM and CAMERA CONNECTION WITH HAILO-15. 2. Added FAW-1233-03 Cable page.	20 Feb 2024

910 Auburn Ct, Fremont, CA 94538, USA

Phone: +1-408-263-0988

Fax: +1-408-217-1960

Email: sales@leopardimaging.com

Website: www.leopardimaging.com

