



LEOPARD
IMAGING

LI-CV2-BOX-GMSL2



Address:

910 Auburn Ct
Fremont, CA 94538
USA



Phone:

+1 (408)263-0988

Fax:

+1 (408)217-1960



Sales:

sales@leopardimaging.com

Support:

support@leopardimaging.com

INTRODUCTION

The LI-CV2-BOX-GMSL2 is equipped with Ambarella CV2 CPU, Maxim GMSL2 DeSerializer MAX9296A/B and passive cooling aluminum case. This box supports up to six GMSL2 cameras with Maxim GMSL2 Serializer MAX9295A/B/D.

Key Features

- CPU: Ambarella Quad-core ARM Cortex-A53 1.2 GHz CPU with 1MB L2 cache
- ISP: Multi-channel ISP with up to 800 Mpixel/s input pixel rate
- DL: Deep Learning support
- Memory: 4-GByte LPDDR4/4X SDRAM @ 1.8 GHz
- Storage:
 - 4Gb internal NAND flash
 - 1 Micro SD card interface
- Encoder: 4K Ultra H.264 / H.265
- Wireless: 2.4G WIFI
- Ethernet: 10/100/1000 BASE-T Ethernet
- Camera: 6 GMSL2 interfaces (4-lane MIPI CSI-2 | 1.5 Gbps per lane)
- Connector: FAKRA Z TYPE
- DeSerializer: Maxim MAX9296A/B
- Single Coax Cable transmits up to 12 meters PoC (Power over Cable)
- Operating temperature: TBD
- Weight: ~ 650 g

Interfaces

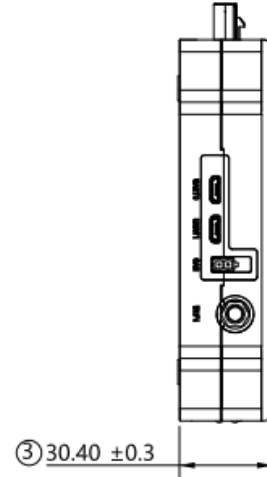
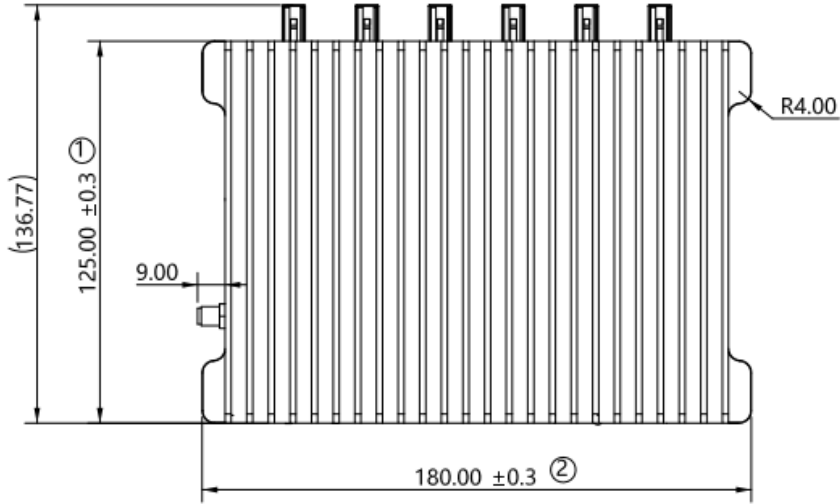
- 6 x GMSL2 Camera interfaces
- 1 x Power interface (DC 12V)
- 1 x HDMI Type-A interface
- 1 x USB2.0 Type-A interface
- 1 x USB2.0 Micro-B interface
- 1 x RJ45 Ethernet interface
- 1 x Micro SD card interface (push-pull type)
- 1 x WIFI port
- 1 x CAN interface
- 2 x UART ports: UART0 + UART1
- Power LED indicator included

BOM

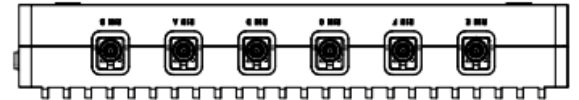
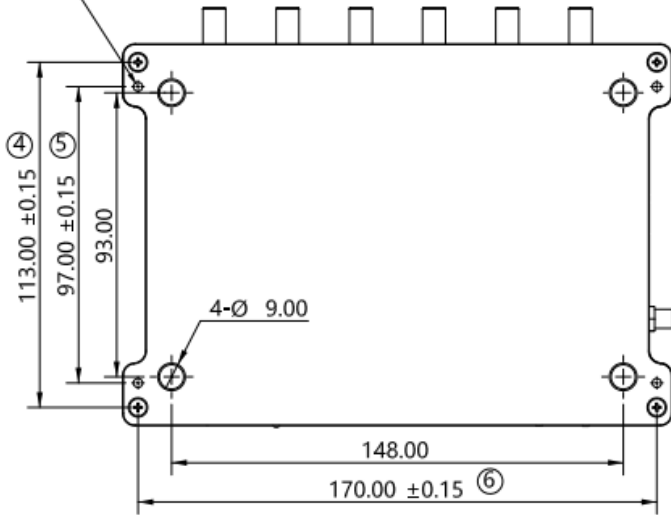
#	Items	QTY
1	LI-CV2-BOX-GMSL2	1
2	DC 12V power supply (5A)	1
3	USB 2.0 Type A -Micro B cable	1



DIMENSIONS



4-M3×0.5-6H
thread depth 9.5 mm

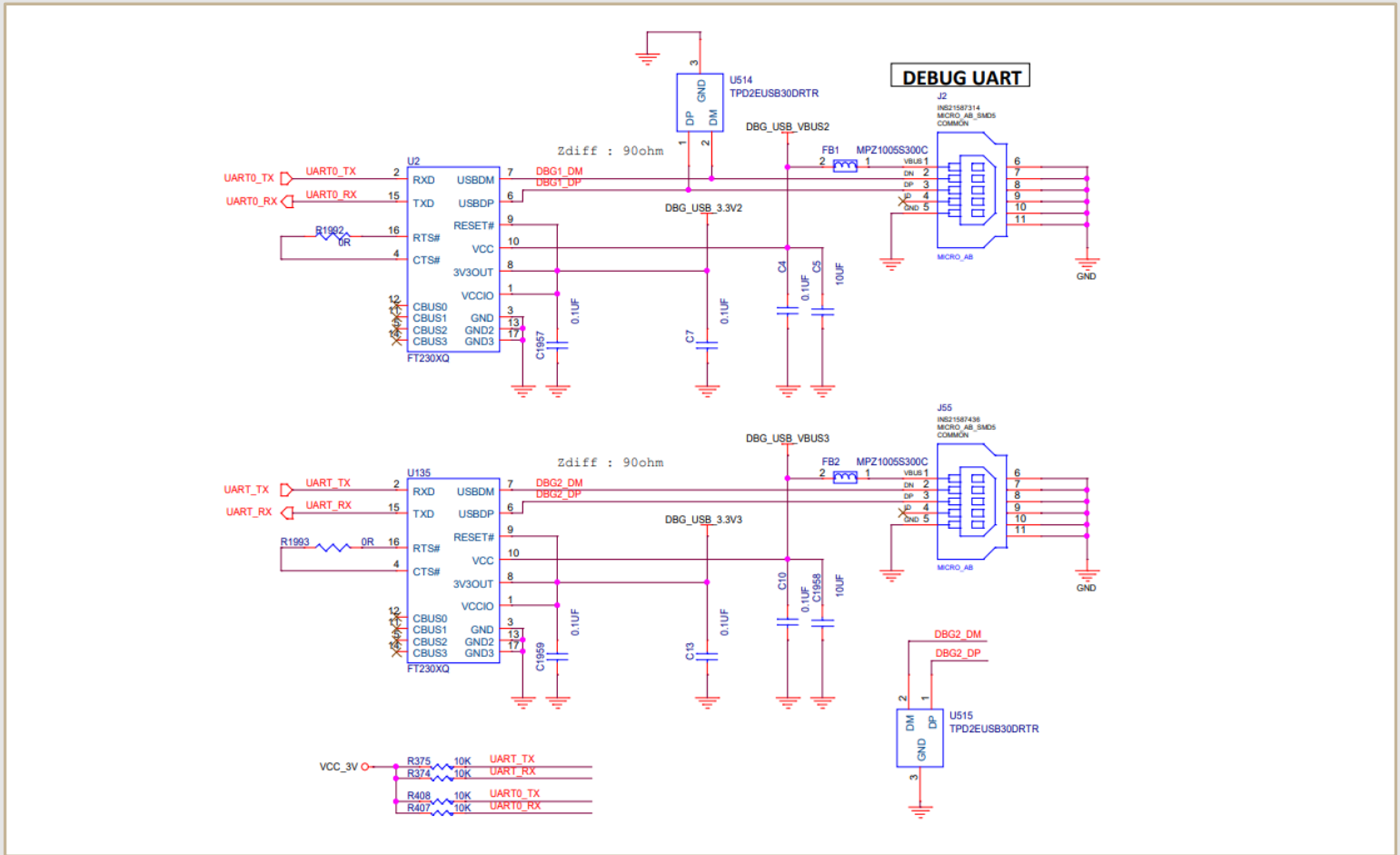


NOTE:

- Tolerances for others unmarked are ± 0.3 mm.
- \otimes marked are important sizes

Unit: mm

INTERFACE J2 & J55 (UART)



INTERFACE J6 (Auto Power)

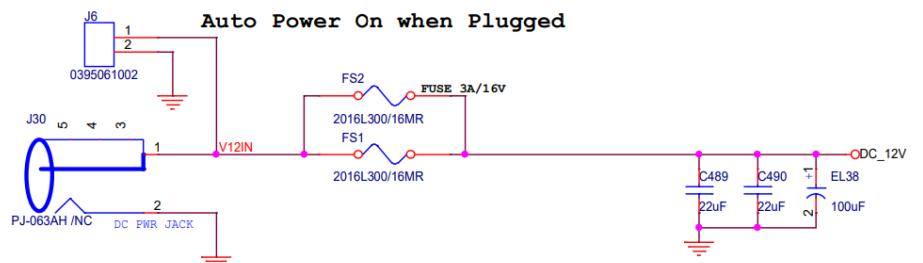
- Part#: 0395061002
- Number of Positions: 2
- Number of Rows: 1

NOTE:

Interface J30 is not connected.

DC Power Jack
 ID: 2.0mm
 OD: 6.5mm

Main DC-IN
 12v @ 7A



REVISION HISTORY

Revision	Description	Release Date
0.1	Initial draft.	24 Dec 2021
0.2	<ol style="list-style-type: none">1. Updated product images and 2D dimensions.2. Added description about CAN interface.3. Updated description for interface J6.	13 Oct 2022

910 Auburn Ct, Fremont, CA 94538, USA

Phone: +1-408-263-0988

Fax: +1-408-217-1960

Email: sales@leopardimagng.com

Website: www.leopardimaging.com

