



LEOPARD
IMAGING

LI-X3A-495-GMSL2



Address:

910 Auburn Ct
Fremont, CA 94538
USA



Phone:

+1 (408)263-0988

Fax:

+1 (408)217-1960



Sales:

sales@leopardimaging.com

Support:

support@leopardimaging.com

INTRODUCTION

The LI-X3A-495-GMSL2 is equipped with OmniVision 1/2.44" color CMOS high dynamic range (HDR) high definition image sensor OX03A10 and OV495 ISP. This camera outputs YUV data.

SPECIFICATIONS

Sensor	OmniVision CMOS Image Sensor OX03A10
Optical Format	1/2.44"
Resolution	1920 (H) x 1280 (V)
Pixel Size	3.2 x 3.2 μm
Output Format	YUV422 8-bit
Frame Rate	30 fps @ 1920 x 1280
Serializer	Maxim MAX9295A/B
Power Supply Range	9 ~ 19 VDC
ISP	OmniVision OV495
HDR (High Dynamic Range)	Supported
Connector	FAKRA Z TYPE
Power Consumption	117 mA @ 12 VDC
Operating Temp	-20°C ~ +60°C
Storage Temp	-30°C ~ +70°C
Weight	~ 46 g
Size	50.72 (L) x 30.0 (W) x 30.0 (D) mm
Part#	LI-X3A-495-GMSL2

APPLICATIONS

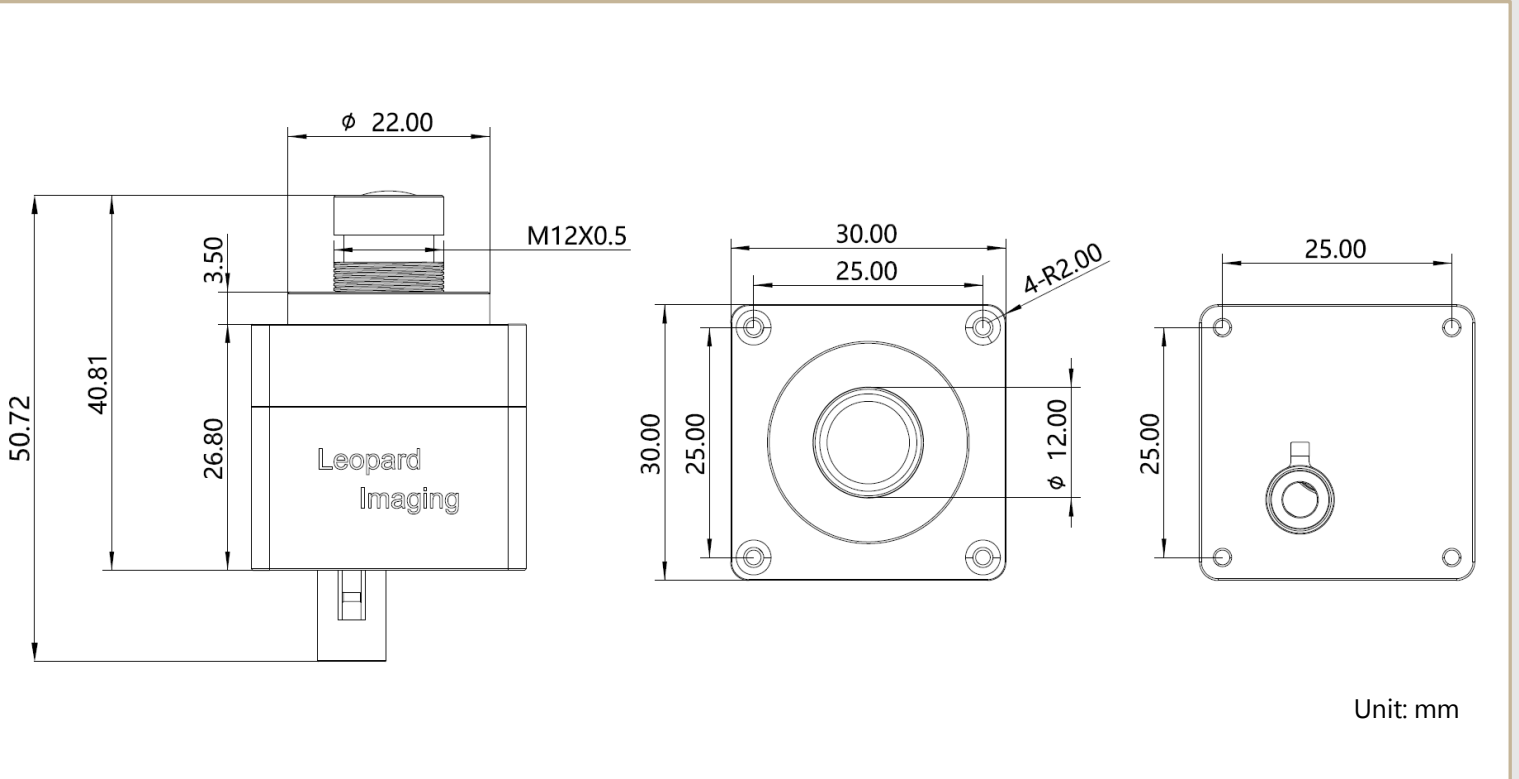
- High Performance ADAS
- Autonomous Driving
- High Dynamic Range Imaging
- Robots

LENS SPECIFICATIONS

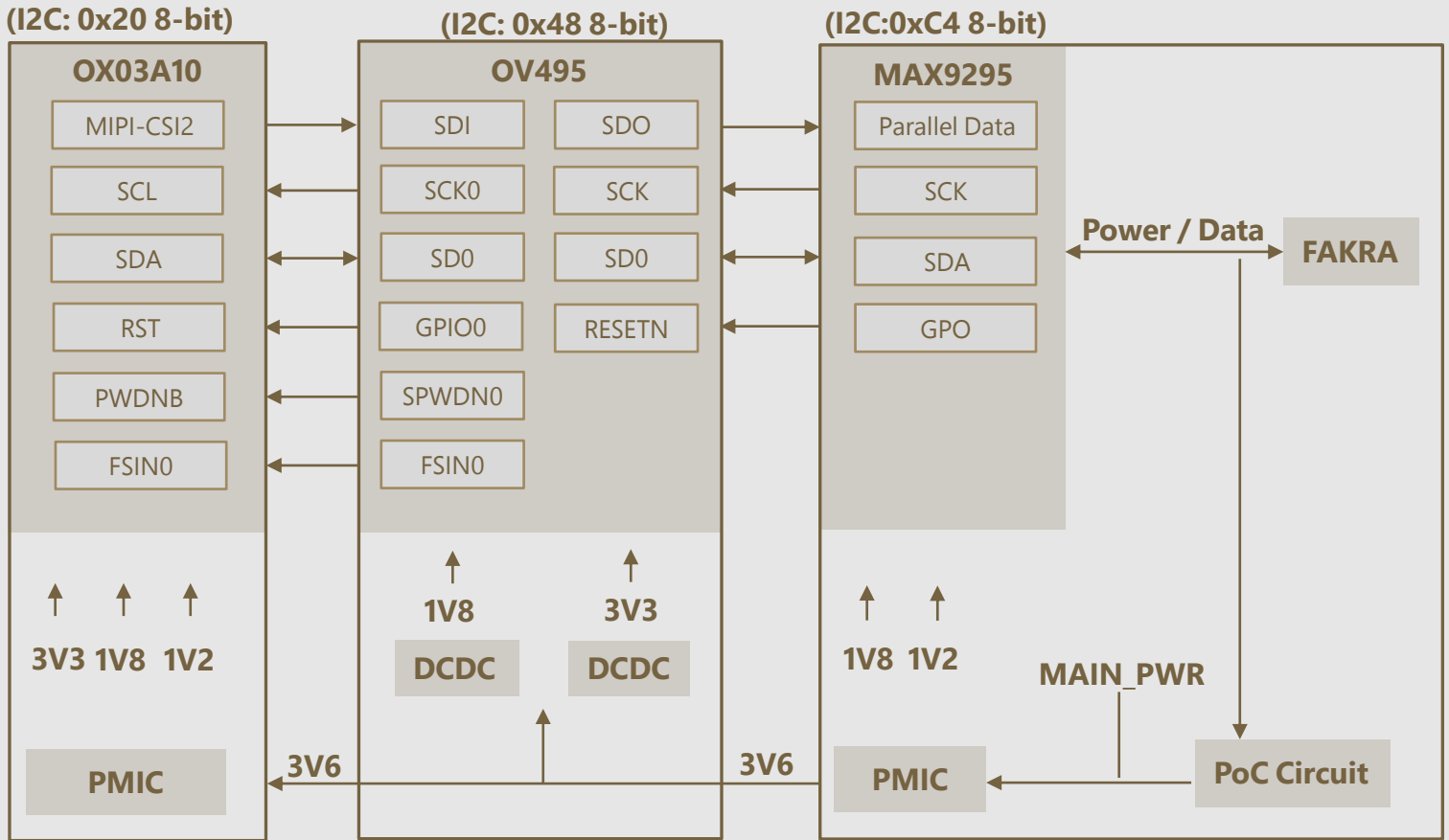
Focal Length	4.487 mm
Aperture, F/#	1.7
Field of View (FOV)	77.40° horizontal
Optical Distortion	-20.05% (f-tan θ)
Relative Illumination	46.53%
IR Filter	648 nm IR cut filter
Lens Mount	M12 x P0.5



DIMENSIONS



BLOCK DIAGRAM



USB3.0 CAMERA KIT

LI-GMSL2-USB-BOX



Front View



Side View

LI-X3A-495-GMSL2 can connect to LI-GMSL2-USB-BOX as a USB 3.0 camera.

Part#: **LI-USB30-X3A-495-GMSL2**

SPECIFICATIONS

- USB 3.0 Super Speed support
- UVC compliant
- Allows customization
- 12 VDC Power Supply for camera
- Weight: ~ 123 g
- Single Coax Cable transmits up to 12 meters PoC (Power over Cable)
- Resolution: 1920 x 1280 @ 30 fps
- Power consumption: 117 mA @ 12 VDC
- Compatible with Windows, Linux OS and other OS which have UVC drivers

BOM

#	Items	QTY
1	LI-X3A-495-GMSL2	1
2	LI-GMSL2-USB-BOX	1
3	3-Meter Fakra Cable	1
4	12 VDC Power Supply	1
5	USB3.0 Cable	1



SDK SUPPORTED

- Camera Tool Source Code in C#
- Capture & Display

● REVISION HISTORY

Revision	Description	Release Date
1.0	First release.	29 June 2021
1.1	<ol style="list-style-type: none">1. Replaced 3D images with actual product images.2. Updated weight info and temp info.3. Added "Pinout Connection" diagram and deleted original system and power block diagram.	15 Apr 2022

910 Auburn Ct, Fremont, CA 94538, USA

Phone: +1 (408)263-0988

Fax: +1 (408)217-1960

Email: sales@leopardimaging.com

Website: www.leopardimaging.com

