



**LEOPARD**  
IMAGING

# LI-OX08A4Y-GMSL2-120H



**Address:**

910 Auburn Ct  
Fremont, CA 94538  
USA



**Phone:**

+1 (408)263-0988

**Fax:**

+1 (408)217-1960



**Sales:**

[sales@leopardimaging.com](mailto:sales@leopardimaging.com)

**Support:**

[support@leopardimaging.com](mailto:support@leopardimaging.com)

## INTRODUCTION

LI-OX08A4Y-GMSL2-120H is equipped with OmniVision 4K CMOS image sensor OX08A4Y which features PureCel®-s technology to provide higher sensitivity and full-well capacity. Such high-end sensor could also output up to 24-bit 36 fps combined video with 4 captures, 2 ROIs, and 12-bit / 14-bit / 16-bit / 20-bit / 24-bit Raw data.

## SPECIFICATIONS

Sensor	OmniVision CMOS image sensor OX08A4Y
Optical Format	1/1.73"
Resolution	3840 (H) x 2160 (V)
Pixel Size	2.1 x 2.1 $\mu$ m
Output Format	12-bit / 14-bit / 16-bit / 20-bit / 24-bit Raw data
Maximum Frame Rate	36 fps @ 4K
Serializer	Maxim MAX9295A
Power Supply Range	9 ~ 19 VDC
Connector	FAKRA Z TYPE
Power Consumption	< 100 mA @ 12 VDC (4K @ 9 fps)
Operating Temp	-40°C ~ +85°C
Storage Temp	-40°C ~ +85°C
Weight	TBD
Size	30.0 (L) x 30.0 (W) x 56.4 (D) mm
Part#	LI-OX08A4Y-GMSL2-120H

## APPLICATIONS

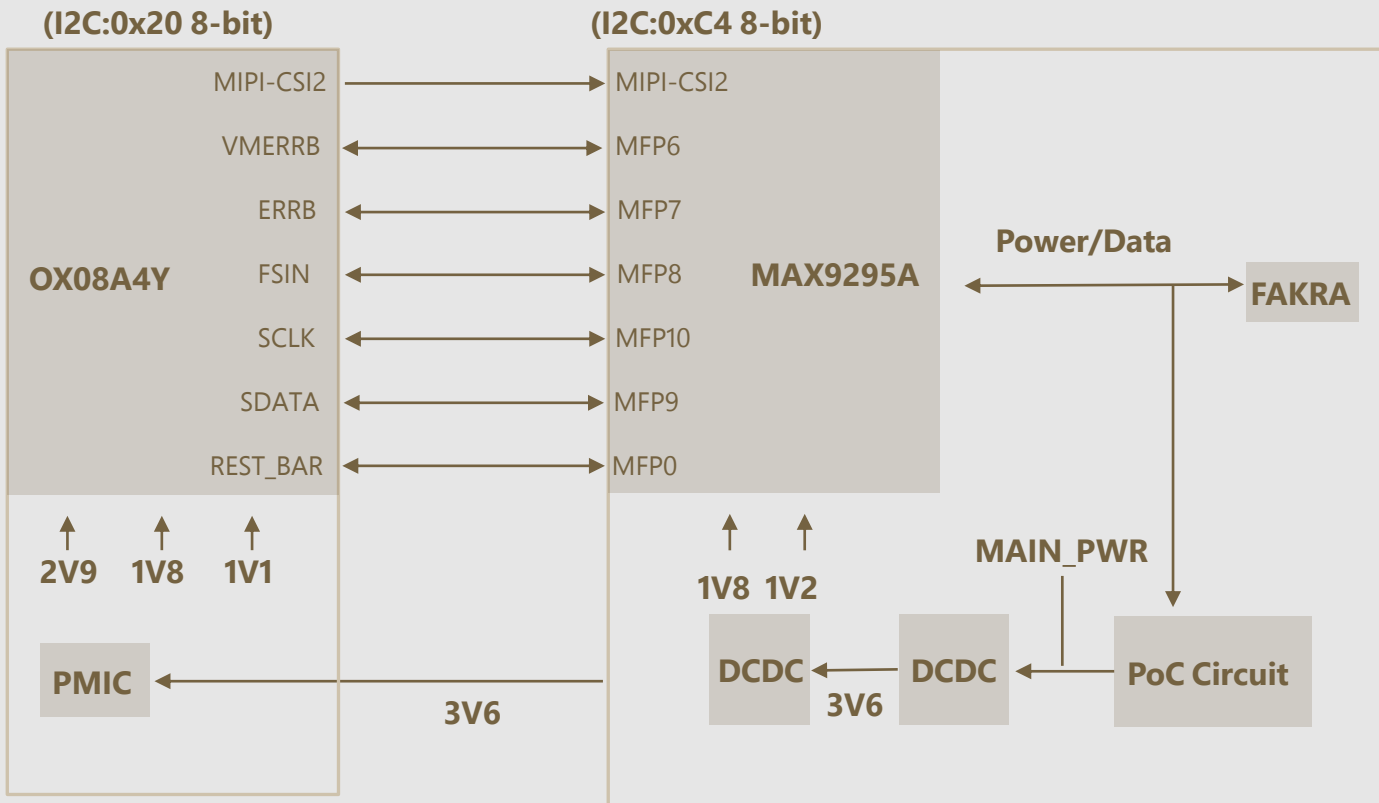
- Automotive
  - ◆ High Resolution Front Viewing
  - ◆ Machine Vision
  - ◆ Autonomous Driving
  - ◆ Assisted Driving
  - ◆ Digital Video Recording

## LENS SPECIFICATIONS

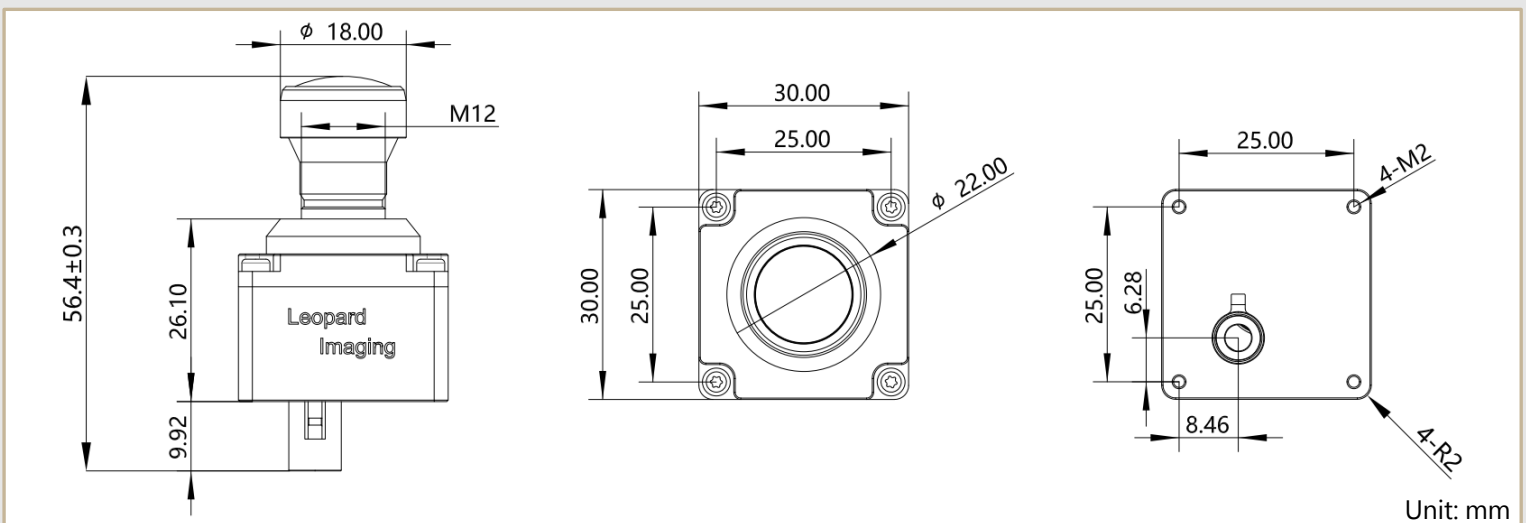
Focal Length	3.9 mm $\pm$ 2%
Aperture, F/#	1.6 $\pm$ 5%
Field of View (FOV)	140.1° diagonal
	121.2° horizontal
	67.2° vertical
Optical Distortion	< -56.88%
Relative Illumination	69.1%
IR Cut Filter	650 nm IR cut filter
Lens Mount	M12 x P0.5



## BLOCK DIAGRAM



## DIMENSIONS



## SOFTWARE SUPPORT

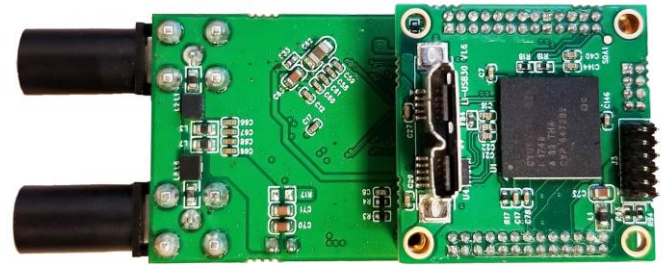
Platforms	Latest Drivers
NVIDIA Jetson Platforms	Please check detailed Jetson driver information: <a href="https://www.leopardimaging.com/driver-support/">https://www.leopardimaging.com/driver-support/</a>
Leopard USB3.0 Tester	The latest firmware will be pre-installed into the USB3.0 Camera Kit

## USB3.0 CAMERA KIT

LI-GMSL2-USB



Top View



Bottom View

LI-OX08A4Y-GMSL2-120H can connect to LI-GMSL2-USB as a USB 3.0 camera.

Part#: LI-USB30-OX08A4Y-GMSL2-120H

### SPECIFICATIONS

- USB 3.0 Super Speed support
- UVC compliance
- Provide customization services
- 12 VDC Power Supply for camera
- Weight: TBD
- Single Coax Cable transmit up to 12 meters PoC (Power over Cable)
- Resolution: 3840 x 2166 @ 9 fps
- Power consumption: < 100 mA @ 12 VDC
- Support Windows, Linux OS and other OS which include the UVC drivers

### BOM

#	Items	QTY
1	LI-OX08A4Y-GMSL2-120H	1
2	LI-GMSL2-USB	1
3	FAK-SMZSMZ-3M Cable	1
4	12 VDC Power Supply	1
5	USB3.0 Cable	1



12 VDC power supply for camera

### SDK SUPPORTED

- Camera Tool Source Code in C#
- Capture & Display
- Register Access Function

- REVISION HISTORY

Revision	Description	Release Date
1.0	First release.	26 May 2021

910 Auburn Ct, Fremont, CA 94538, USA  
Phone: +1-408-263-0988  
Fax: +1-408-217-1960  
Email: [sales@leopardimagng.com](mailto:sales@leopardimagng.com)  
Website: [www.leopardimaging.com](http://www.leopardimaging.com)

