

Specifications

- Sony Diagonal 7.857 mm (Type 1/2.3) CMOS Image Sensor IMX477
- Resolution: 3840 (H) x 2160 (V)
- Frame rate: 30 fps
- Socionext M10V processor
- USB 3.0 Super Speed supported
- UVC compliance
- Lens: FOV 43.4° horizontal (each video)
- Dual Cameras
- Image stitching supported
- 1 x USB 3.0 Type-C interface
- 1 x USB 2.0 Micro-B interface
- 1 x UART interface
- 1 x Power interface (12 VDC)
- 1 x RJ45 Ethernet interface
- 2 x Micro-SD card interfaces
- Weight: ~ 241 g
- Part#: **LI-M10V-DUAL-USB30**



Applications

- USB 3.0 Dual camera

BOM

#	Items	QTY
1	LI-M10V-DUAL-USB30	1
2	Power supply	1
3	USB2.0 Micro-B cable	1
4	USB3.0 Type-C cable	1

SPECIFICATIONS

Specifications

Video Resolution @ Frame rate

MJPEG:

3840 x 2160 @ 30 fps

1920 x 1080 @ 60 fps

1280 x 720 @ 60 fps

YUV:

1920 x 1080 @ 30 fps

1280 x 720 @ 30 fps

NV12:

1920 x 1080 @ 30 fps

1280 x 720 @ 30 fps

H264:

3840 x 2160 @ 30 fps

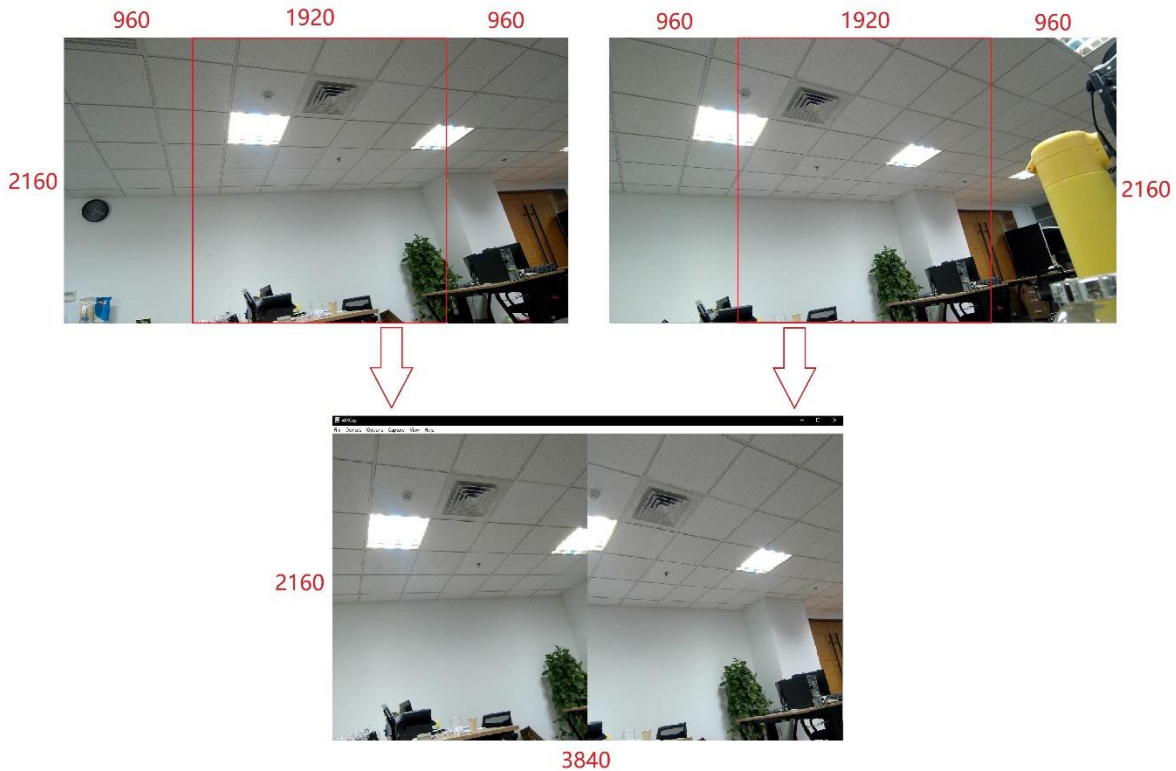
1920 x 1080 @ 60 fps

1280 x 720 @ 60 fps

720 x 480 @ 60 fps

Two videos output side by side, but each video is cropped from the center of the full FOV image.

Take 3840 x 2160 as an example.



Leopard Imaging Inc.

910 Auburn Ct, Fremont, CA 94538, USA

Phone: +1-408-263-0988

Fax: +1-408-217-1960

Email: sales@leopardimaging.com

Website: www.leopardimaging.com

SPECIFICATIONS

Specifications	
Camera	
Sensor	Sony Diagonal 7.857 mm (Type 1/2.3) CMOS Image Sensor IMX477
Shutter	Rolling
Format	1/2.3"
Resolution	H:4056, V:3040
Pixel size	H: 1.55 μm , V: 1.55 μm
Lens mount	M12 lens mount support
Lens	<ul style="list-style-type: none">▪ Focal length: 4 mm▪ F/#: 2.05▪ Built-in 650 nm IR cut filter▪ FOV(H): 43.4° (1920 x 2160)▪ Mount: M12 x P0.5
USB 3.0 Interface	
Interface	USB 3.0 Type-C
Current consumption	TBD
External Power Supply	
Voltage	12 VDC
Dimensions & Weight	
Dimensions	L: 80.70 mm, W: 38.00 mm, H: 93.33 mm
Weight (with lens)	~ 241 g
Adjustment	
Manual	TBD
Auto	TBD
Environmental	
Max. temperature (operation)	-10°C ~ 60°C (14°F~ 140°F)
Max. temperature (storage)	-20°C ~ 70°C (-4°F~158°F)
Max. humidity (operation)	20 % ~ 80 %, relative, non-condensing
Max. humidity (storage)	20 % ~ 80 %, relative, non-condensing

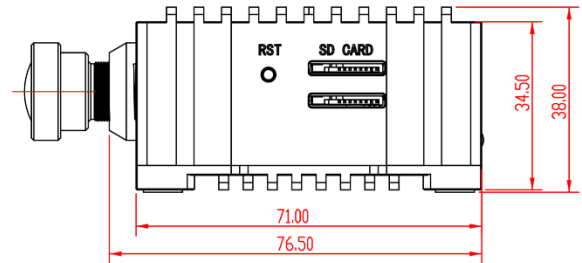
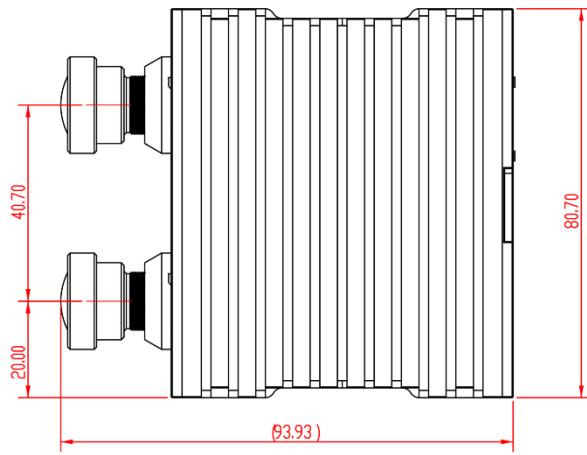


Leopard Imaging Inc.

910 Auburn Ct, Fremont, CA 94538, USA
Phone: +1-408-263-0988
Fax: +1-408-217-1960
Email: sales@leopardimaging.com
Website: www.leopardimaging.com

DIMENSIONS

Dimensions



Leopard Imaging Inc.

910 Auburn Ct, Fremont, CA 94538, USA
Phone: +1-408-263-0988
Fax: +1-408-217-1960
Email: sales@leopardimaging.com
Website: www.leopardimaging.com

Revision History

Revision	Description	Release Date
1.0	First Release.	04 May 2020
1.1	Update the camera to new version with housing.	06 Sep 2020
1.2	Add the video output information.	05 Jan 2021
1.3	Update the camera pictures.	27 Feb 2021
1.4	Deleted lens model info.	11. Aug. 2023



Leopard Imaging Inc.

910 Auburn Ct, Fremont, CA 94538, USA
Phone: +1-408-263-0988
Fax: +1-408-217-1960
Email: sales@leopardimaging.com
Website: www.leopardimaging.com