



**LEOPARD**  
IMAGING

# LI-IMX490-NVP2670-GMSL2-120H



**Address:**

910 Auburn Ct  
Fremont, CA 94538  
USA



**Phone:**

+1 (408)263-0988

**Fax:**

+1 (408)217-1960



**Sales:**

[sales@leopardimaging.com](mailto:sales@leopardimaging.com)

**Support:**

[support@leopardimaging.com](mailto:support@leopardimaging.com)

## INTRODUCTION

The LI-IMX490-NVP2670-GMSL2-120H is equipped with Sony 1/1.55" CMOS image sensor IMX490 which features an electronic shutter with variable charge integration time and offers 5.44 M active pixels. Also equipped with Nextchip NVP2670 ISP, the camera could achieve clearer image even under severe low luminance condition.

## SPECIFICATIONS

Sensor	Sony Diagonal 10.36 mm (Type 1/1.55) CMOS Image Sensor IMX490
Optical Format	1/1.55"
Resolution	2848 (H) × 1772 (V)
Pixel Size	3.0 x 3.0 μm
Output Format	YUV422 8-bit
Color / Mono	Color
Frame Rate	30 fps @ 2848 × 1772
Serializer	Maxim MAX9295A
Power Supply Range	9 ~ 19 V
ISP	Nextchip NVP2670
FAKRA Connector	FAKRA Z TYPE
Power Consumption	2.2 W at 2848 × 1772 @ 30 fps
Operating Temp	-40°C ~ +85°C
Storage Temp	-40°C ~ +85°C
Weight	~ 67.2 g
Size	30.0 (L) × 30.0 (W) × 58.9 (D) mm
Part#	LI-IMX490-NVP2670-GMSL2-120H

## APPLICATIONS

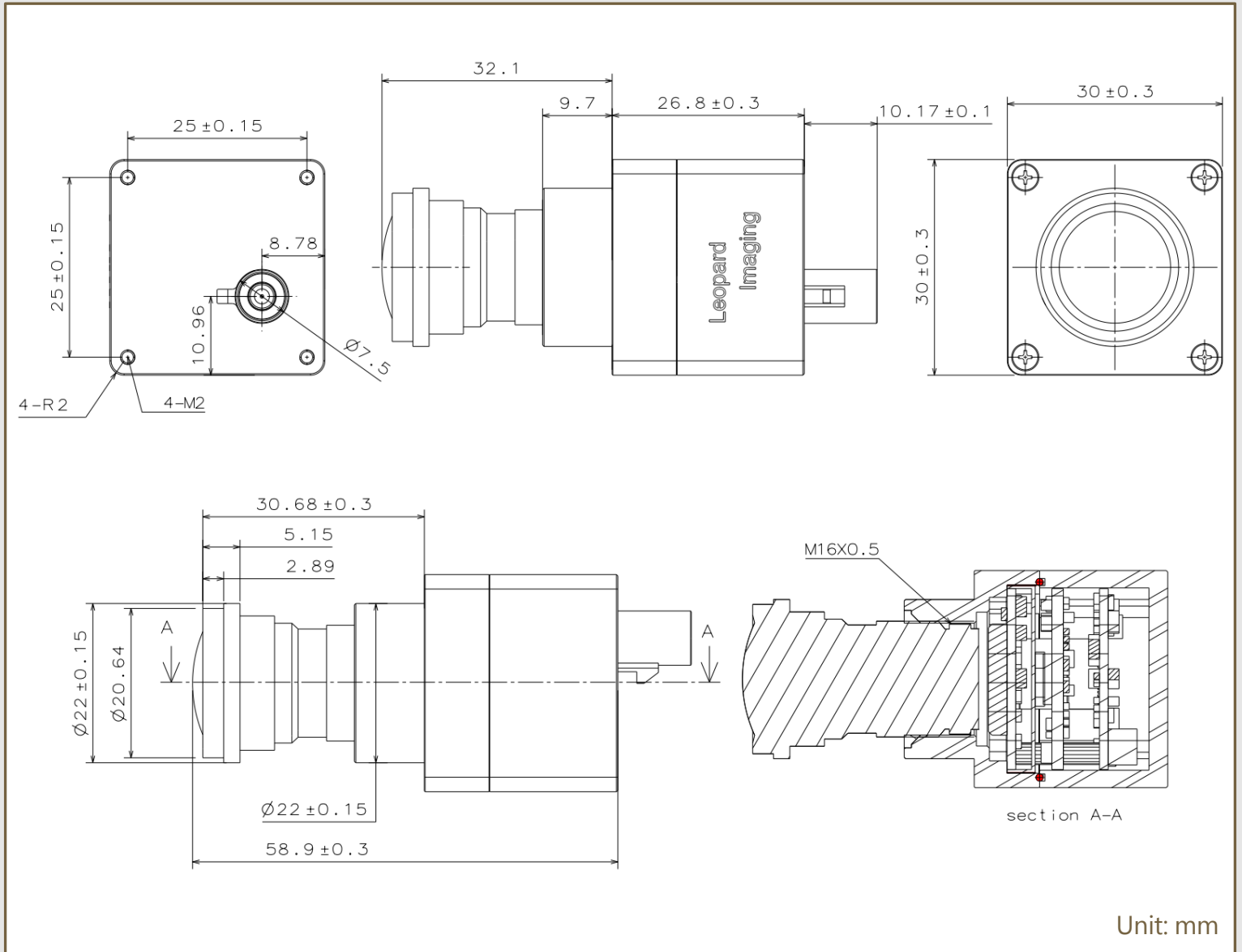
- High Performance ADAS
- Autonomous Driving
- High Dynamic Range Imaging
- Robots

## LENS SPECIFICATIONS

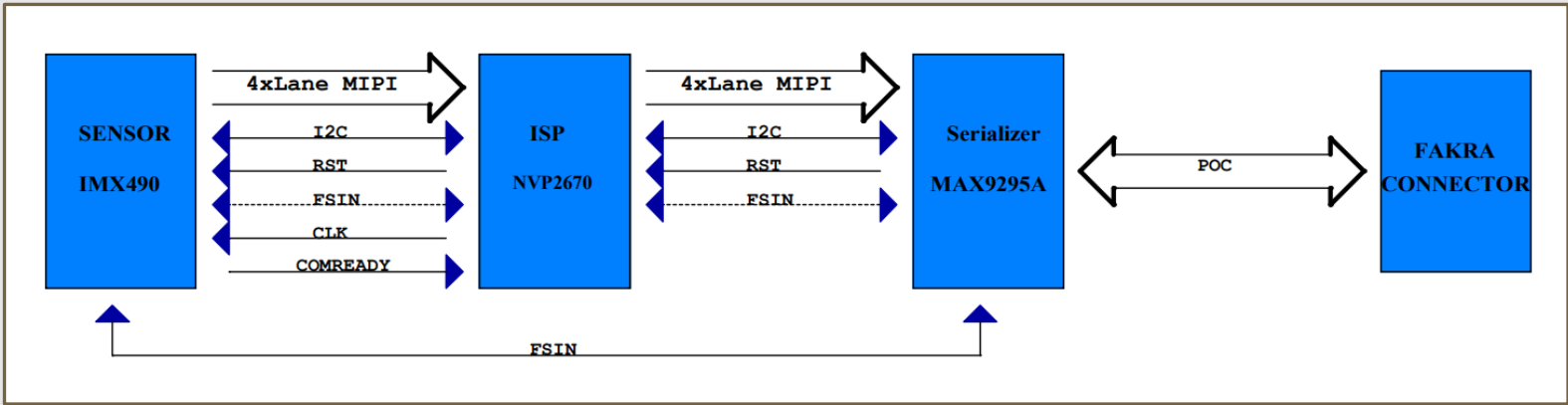
Focal Length	4.49 mm
Aperture, F/#	1.6
Field of View (FOV)	154.9° diagonal
	120.0° horizontal
	73.2° vertical
Optical Distortion	-75.0%
Relative Illumination	64.0%
IR Filter	650 nm IR cut filter
Lens Mount	M16 × 0.5P



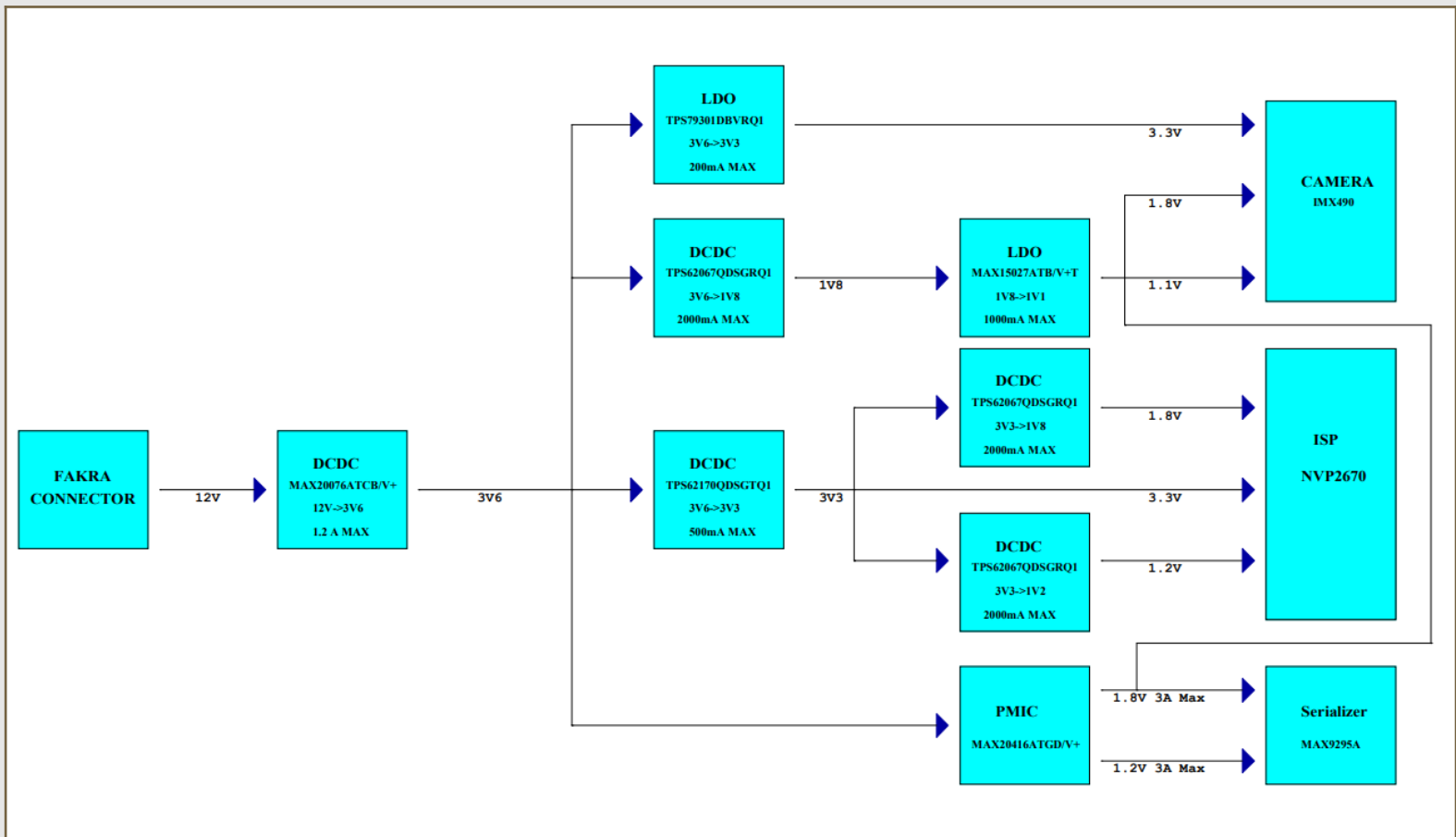
# DIMENSIONS



## SYSTEM BLOCK DIAGRAM



## POWER BLOCK DIAGRAM



## USB3.0 CAMERA KIT

LI-GMSL2-USB-BOX



Front View



Side View

LI-IMX490-NVP2670-GMSL2-120H can connect to LI-GMSL2-USB-BOX as a USB 3.0 camera.

Part#: LI-USB30-IMX490-NVP2670-GMSL2-120H

### SPECIFICATIONS

- USB 3.0 Super Speed support
- UVC compliance
- Provide customization services
- 12 VDC power supply for camera
- Weight: ~ 143.7 g
- Single Coax Cable transmit up to 12 meters PoC (Power over Cable)
- Resolution: 2848 × 1772 @ 30 fps
- Support Windows, Linux OS and other OS which include the UVC drivers

### BOM

#	Items	QTY
1	LI-IMX490-NVP2670-GMSL2-120H	1
2	LI-GMSL2-USB-BOX	1
3	3-Meter Fakra Cable	1
4	12 VDC Power Supply	1
5	USB3.0 Cable	1



### SDK SUPPORTED

- Camera Tool Source Code in C#
- Capture & Display

- REVISION HISTORY

Revision	Description	Release Date
1.0	First release.	26 May 2021

910 Auburn Ct, Fremont, CA 94538, USA  
Phone: +1-408-263-0988  
Fax: +1-408-217-1960  
Email: [sales@leopardimagng.com](mailto:sales@leopardimagng.com)  
Website: [www.leopardimaging.com](http://www.leopardimaging.com)

