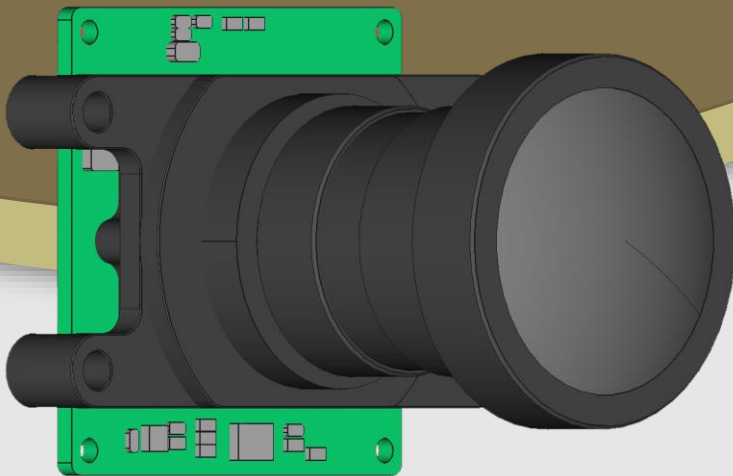




LEOPARD
IMAGING

LI-IMX485-MIPI-110H



Address:

910 Auburn Ct
Fremont, CA 94538
USA



Phone:

+1 (408)263-0988

Fax:

+1 (408)217-1960



Sales:

sales@leopardimaging.com

Support:

support@leopardimaging.com

INTRODUCTION

The LI-IMX485-MIPI-110H is a MIPI CSI-2 camera with Sony diagonal 12.86 mm CMOS solid-state image sensor IMX485 which ensures high-sensitivity, low dark current, low power consumption and no smear. This camera outputs 10-bit / 12-bit RAW data.

SPECIFICATIONS

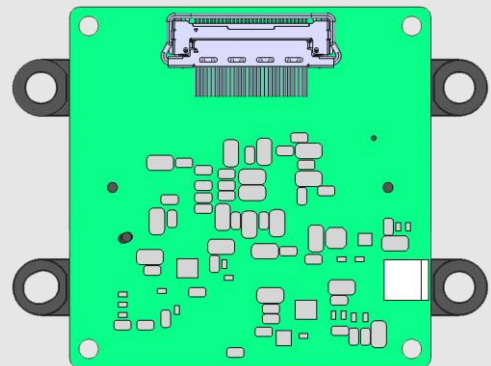
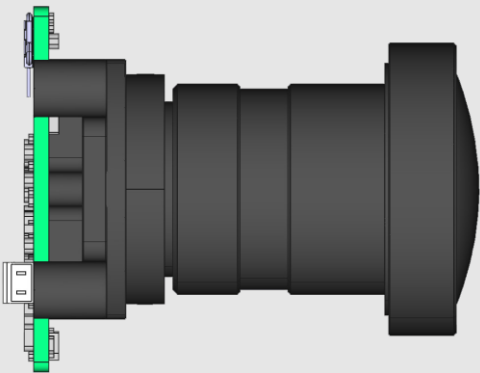
Sensor	Sony Diagonal 12.86 mm (Type 1/1.2) CMOS Solid-State Image Sensor IMX485
Optical Format	1/1.2"
Resolution	3864 (H) x 2176 (V) (active pixels)
Pixel Size	2.9 x 2.9 μm
Output Format	10-bit / 12-bit RAW data
Maximum Frame Rate	90 fps @ 3864 x 2176 (10-bit)
ISP	Not included
Color / Mono	Color
Interface	4-lane MIPI CSI-2
Power Consumption	310 mA @ 3.3 VDC
Operating Temp	-25°C ~ +85°C
Storage Temp	-25°C ~ +85°C
Weight	TBD
Part#	LI-IMX485-MIPI-110H

APPLICATIONS

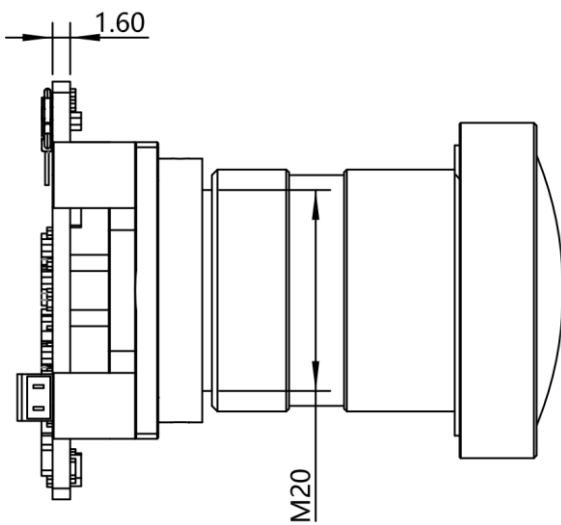
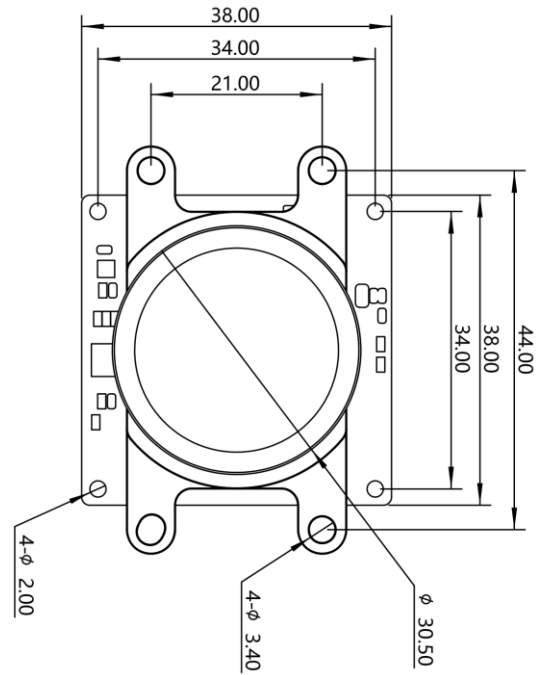
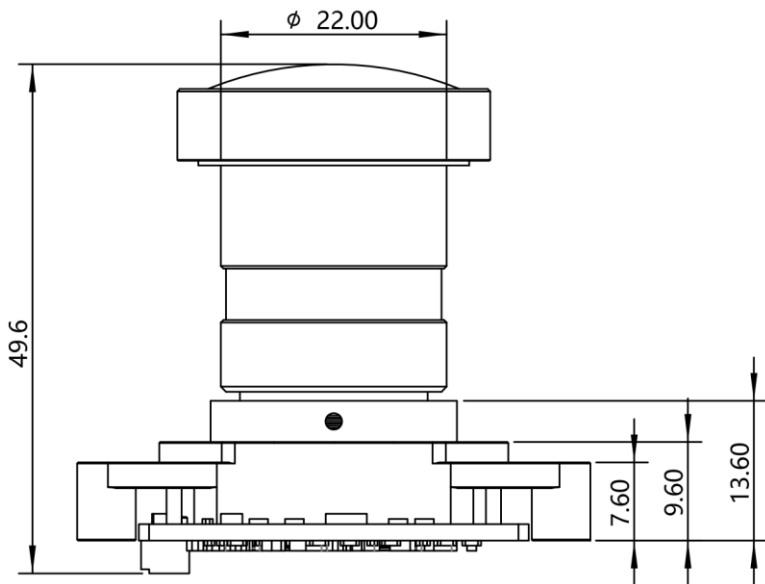
- IoT
- Drone
- Robots

LENS SPECIFICATIONS

Focal Length	5.9 mm
Aperture, F/#	2.9
Field of View (FOV)	110° horizontal
Distortion	0.2% F- θ
IR Filter	650 nm IR cut filter
Lens Mount	M20 x P0.5



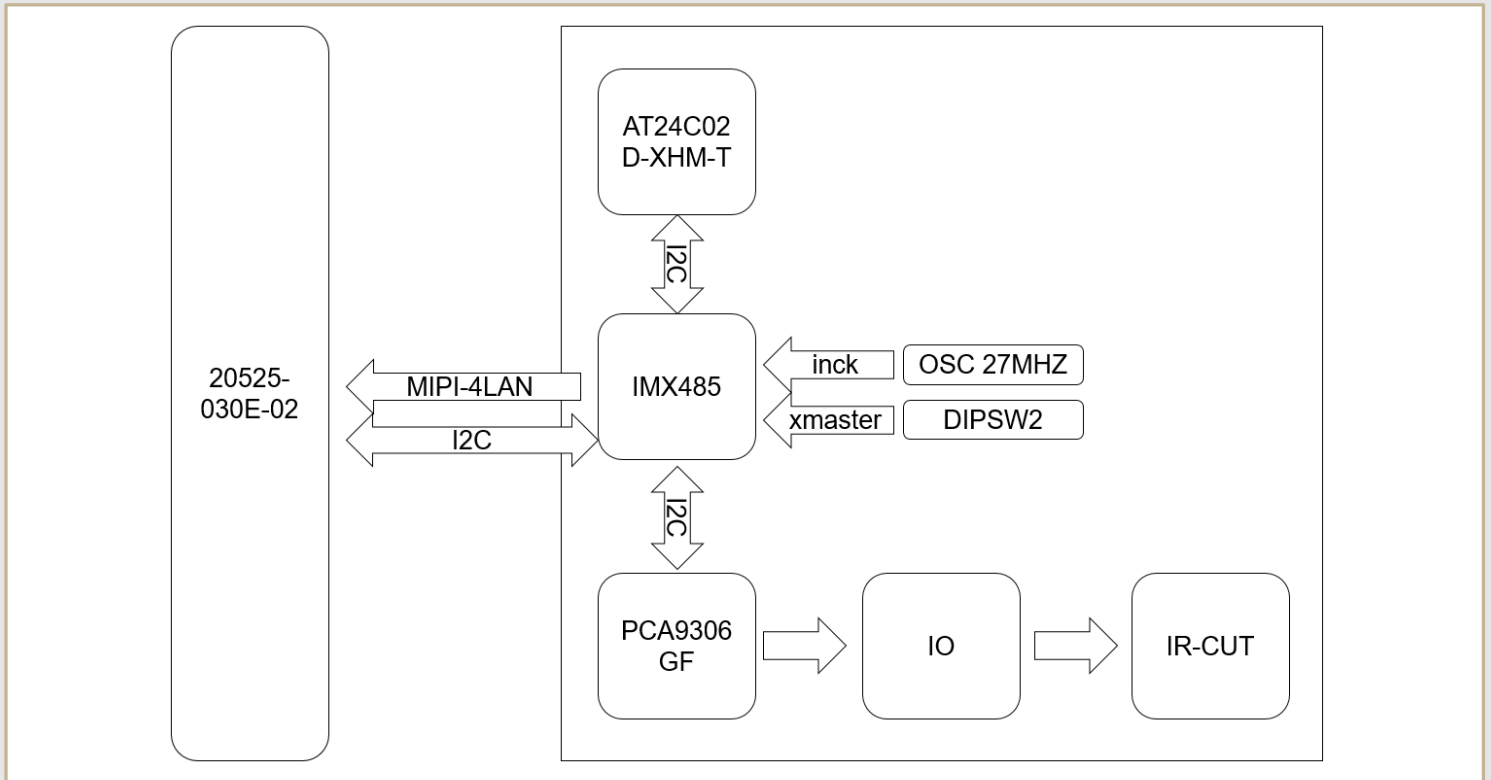
DIMENSIONS



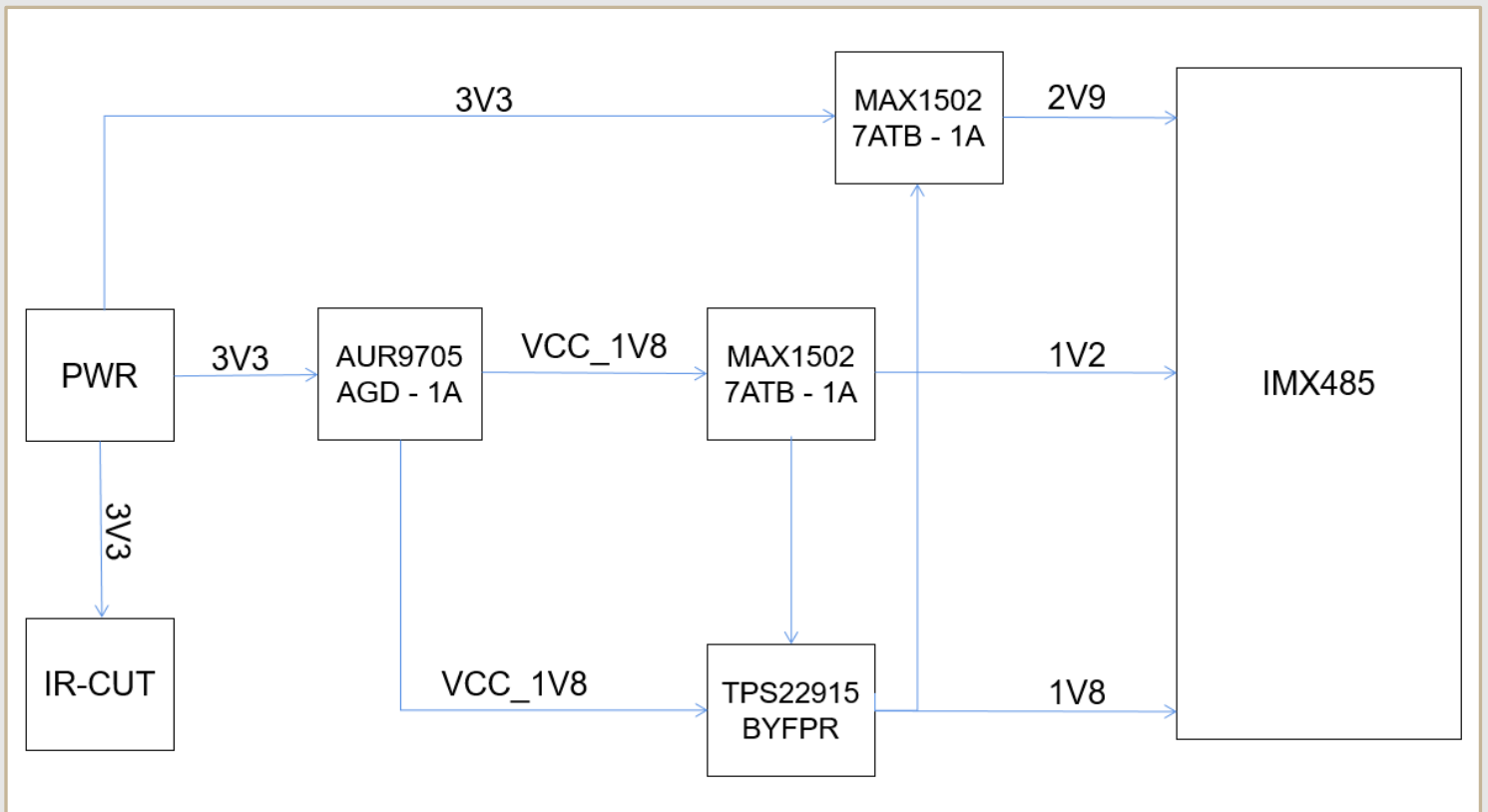
TOLERANCE TABLE		
Size X (mm)	Tolerance (mm)	Angle Tolerance (°)
$0.5 < X \leq 3$	$\pm 0.1\text{mm}$	$\pm 0.05^\circ$
$3 < X \leq 6$	$\pm 0.1\text{mm}$	$\pm 0.05^\circ$
$6 < X \leq 30$	$\pm 0.2\text{mm}$	$\pm 0.05^\circ$
$30 < X \leq 120$	$\pm 0.3\text{mm}$	$\pm 0.05^\circ$
$120 < X \leq 400$	$\pm 0.5\text{mm}$	$\pm 0.1^\circ$
$400 < X \leq 1000$	$\pm 0.8\text{mm}$	$\pm 0.1^\circ$
$X > 1000$	$\pm 1.2\text{mm}$	$\pm 0.1^\circ$

Unit: mm

SYSTEM BLOCK DIAGRAM



POWER BLOCK DIAGRAM



● SOFTWARE SUPPORT

Platforms	Latest Drivers
NVIDIA Jetson Platforms	Please check detailed Jetson driver information: https://www.leopardimaging.com/driver-support/
Leopard USB3.0 Tester	The latest firmware will be pre-installed into the USB3.0 Camera Kit

● REVISION HISTORY

Revision	Description	Release Date
1.0	First release.	09 Jul 2021
1.1	Deleted info quoted from sensor spec.	26 May 2022

910 Auburn Ct, Fremont, CA 94538, USA

Phone: +1-408-263-0988

Fax: +1-408-217-1960

Email: sales@leopardimaging.com

Website: www.leopardimaging.com

