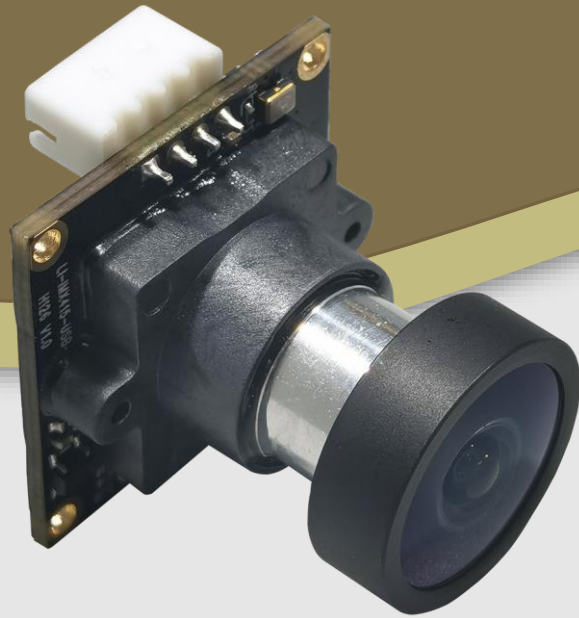




LEOPARD
IMAGING

LI-IMX415-USB-126H



Address:

910 Auburn Ct
Fremont, CA 94538
USA



Phone:

+1 (408)263-0988

Fax:

+1 (408)217-1960



Sales:

sales@leopardimaging.com

Support:

support@leopardimaging.com

INTRODUCTION

The LI-IMX415-USB-126H is a USB camera with Sony 8.4MP STARVIS back-illuminated CMOS sensor IMX415. This camera outputs MJPEG and YUY2 data.

KEY FEATURES

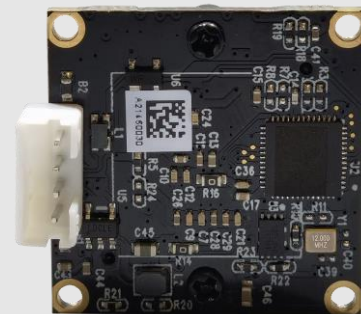
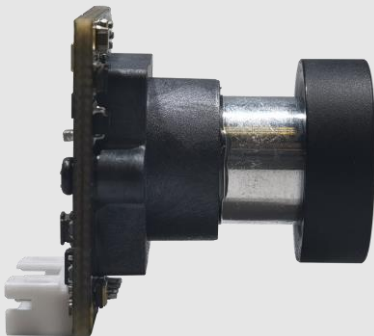
Sensor	Sony Diagonal 6.43 mm (Type 1/2.8) CMOS Image Sensor IMX415
Optical Format	1/2.8"
Resolution	3864 (H) x 2176 (V) (active pixels)
Pixel Size	1.45 x 1.45 μm
Output Format	MJPEG and YUY2
Color / Mono	Color
Interface	USB 2.0
Connector Part#	PH2.0-4A
Power Consumption	206 mA @ 5 VDC
Operating Temp	TBD
Storage Temp	TBD
Weight	~ 12 g
Part#	LI-IMX415-USB-126H

APPLICATIONS

- Robotics Cameras
- Industrial Cameras

LENS SPECIFICATIONS

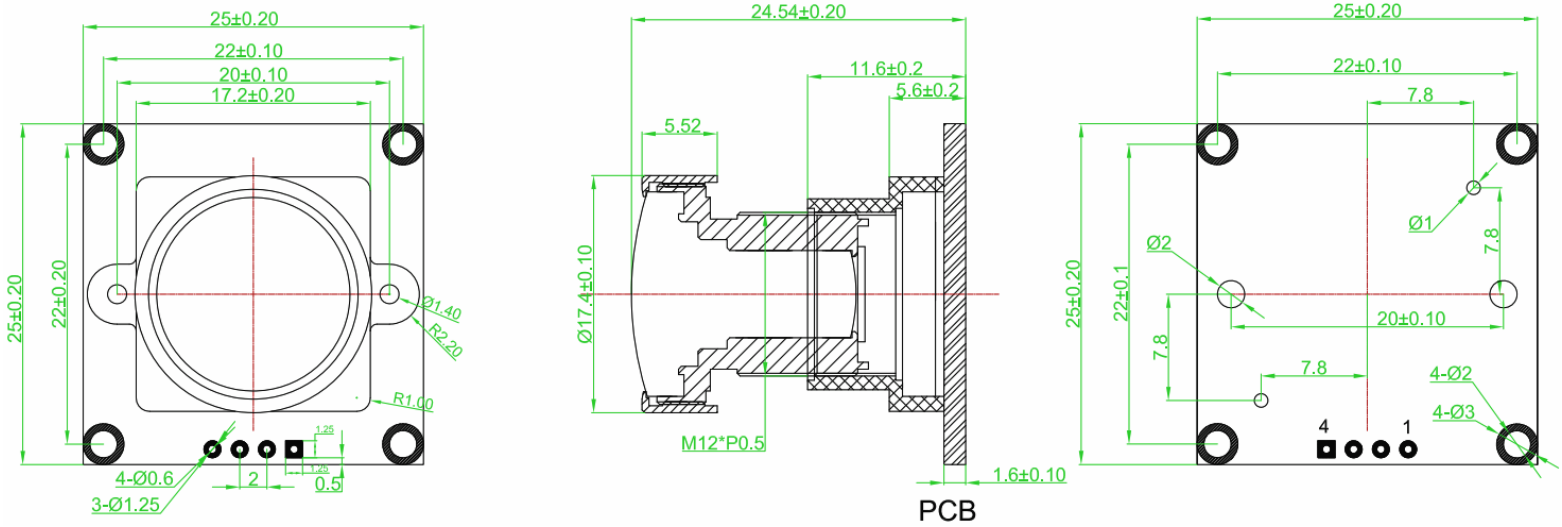
Focusing Range	80 cm to Infinity
Focal Length	3.0 mm
Aperture, F/#	2.0
Field of View (FOV)	126° horizontal
TV Distortion	< -50%
Lens Mount	M12 x P0.5



SPECIFICATION

Video Resolution, Format and Frame Rate	1920 x 1080	MJPG @ 25 fps (Default)	640 x 480	YUY2 @ 25fps (Default)	
	2560 x 1440	MJPG @ 25fps	640 x 360	YUY2 @ 25 fps	
	1600 x 896	MJPG @ 25fps	352 x 288	YUY2 @ 25 fps	
	1280 x 720	MJPG @ 25fps	320 x 240	YUY2 @ 25 fps	
	1024 x 768	MJPG @ 25fps	176 x 144	YUY2 @ 25 fps	
	1024 x 576	MJPG @ 25fps	160 x 120	YUY2 @ 25 fps	
	960 x 544	MJPG @ 25fps	800 x 600	YUY2 @ 20 fps	
	864 x 480	MJPG @ 25fps	1280 x 720	YUY2 @ 10 fps	
	848 x 480	MJPG @ 25fps	1024 x 768	YUY2 @ 10 fps	
	800 x 600	MJPG @ 25fps	1024 x 576	YUY2 @ 10 fps	
	800 x 448	MJPG @ 25fps	960 x 544	YUY2 @ 10 fps	
	640 x 360	MJPG @ 25fps	864 x 480	YUY2 @ 10 fps	
	640 x 480	MJPG @ 25fps	848 x 480	YUY2 @ 10 fps	
	440 x 440	MJPG @ 25fps	800 x 448	YUY2 @ 10 fps	
	352 x 288	MJPG @ 25fps	1920 x 1080	YUY2 @ 5 fps	
	320 x 240	MJPG @ 25fps	1600 x 896	YUY2 @ 5 fps	
	176 x 144	MJPG @ 25fps	3840 x 2160	YUY2 @ 1 fps	
	160 x 120	MJPG @ 25fps	2560 x 1440	YUY2 @ 1 fps	
	3840 x 2160	MJPG @ 18fps			
	Adjustment	The following can be adjusted manually:			
		● Brightness	● Gamma		
		● Contrast	● White Balance (Default: Auto)		
		● Hue	● Backlight Comp		
		● Saturation	● Gain		
		● Sharpness			

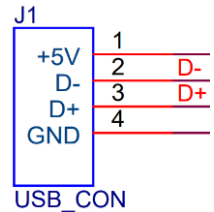
DIMENSIONS (Without Connector)



Unit: mm

INTERFACE J1

Pin No.	Name
1	USB_5V
2	USB_D-
3	USB_D+
4	GND



J1
 +5V 1
 D- 2
 D+ 3
 GND 4
 USB_CON

● REVISION HISTORY

Revision	Description	Release Date
1.0	First release.	10 Dec 2021
1.1	Updated product images.	12 Jan 2022
1.2	Deleted "IMX415 Sensor Specifications" section.	29 Apr 2024

910 Auburn Ct, Fremont, CA 94538, USA

Phone: +1-408-263-0988

Fax: +1-408-217-1960

Email: sales@leopardimagng.com

Website: www.leopardimaging.com

